

## VENMAR AVS SOLO 1.5

Part #43720 Canada

Part #43725 US

64 to 150 CFM (0.4 in. w.g.)



VB0009

### THE «EXCESS MOISTURE» SYSTEM; WHEN ALL THE SIGNS POINT TO EXCESS HUMIDITY.

The dramatic strength of the AVS SOLO is its ability to help control humidity and window condensation during the colder season. Customers benefit from clean, fresh air in a more comfortable environment, while optimizing energy efficiency and protecting their homes.

- Reversible unit installation
- Improved standard filter performance
- Unique pan design, easy to clean and maintain
- Intergrated balancing dampers and pressure taps
- Crossflow heat recovery core
- Exclusive HomeShield™ patented defrost system
- SilentSure™ operation
- PSC motor

### REPAIRS AND MAINTENANCE

All parts of the AVS SOLO can be removed in less than five minutes, allowing direct access for easy repairs. The low power consumption PSC motor is permanently lubricated. Even better, the entire motor assembly can be removed in less than a minute for easier maintenance. Finally, the electronic circuit board eliminates electromechanical parts, reducing repair time to a minimum.

### WARRANTY

The Venmar AVS SOLO is fully protected by a 5-year warranty and the heat recovery core is covered by a lifetime warranty. We are so confident in our product that we also offer a 90-day in-home warranty on parts and service.

Available at :

### Controls

- Built-in electronic circuit board ready to receive one of the following main controls:
  - SUPRA #40320 - *Ideal for this system application*
  - ULTIMA #40340
  - VENTA #40310
- One or more of the following optional controls can be added:
  - Humidity Control #11297
  - 20-min. lighted push button #12030
  - 60-min. mechanical timer #00910
  - 20/40/60-minute push button #03364
  - Wireless 20-minute remote control #03366

### Options

- Integrated furnace interlock relay
- Complete line of registers and diffusers
- Electric duct heater
- Filters:
  - Charcoal #03315
  - Pleated #03316
  - Electronic #03314

### Homeshield™ Defrosting System

The AVS SOLO uses a unique defrosting method. No negative pressure is created by air exhausted to the outside, as the air is recirculated into the house, thus avoiding any backdraft from the chimney. Moreover, this defrosting method by air circulation ensures that no shortage of air is created for combustion units.

OUTSIDE TEMPERATURE °C	OUTSIDE TEMPERATURE (°F)	DEFROST CYCLE	
		defrosting min.	operating min.
Warmer than -5	Warmer than (23)	No defrost	
-5 TO -15	(23 TO 5)	6	60
-15 TO -27	(5 TO -19)	6	32
-27 & LESS	(-19 & LESS)	6	20

### Heat Recovery Core

Dimensions: 12" x 14" x 15-1/2" (31 cm x 36 cm x 40 cm)

Exchange surface: 102 ft<sup>2</sup> (9.54 m<sup>2</sup>)

Weight: 6.2 lbs (2.8 kg)

Material: Polypropylene (coroplast)

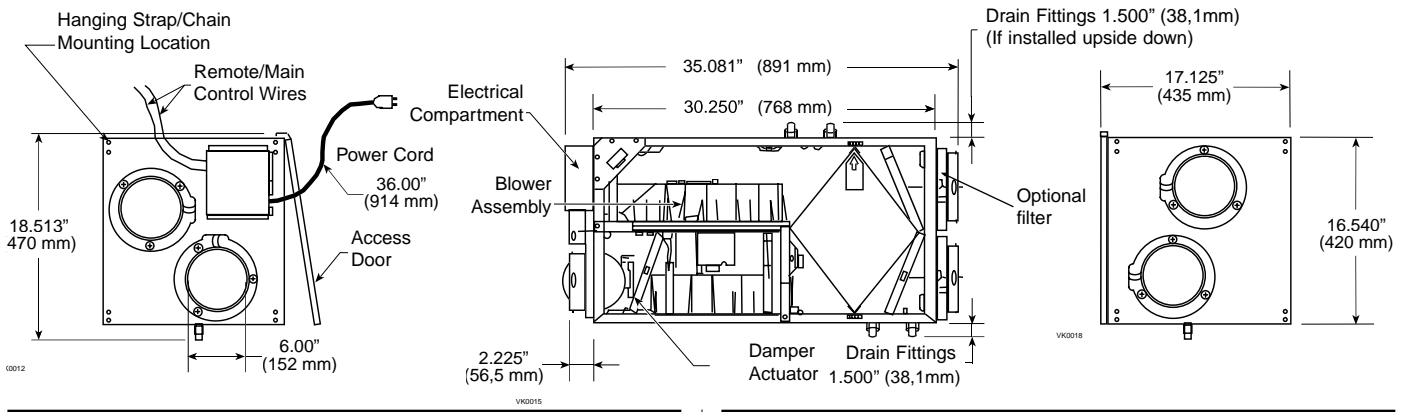
Type: Crossflow core

Warranty: Lifetime

### Requirements and Standards

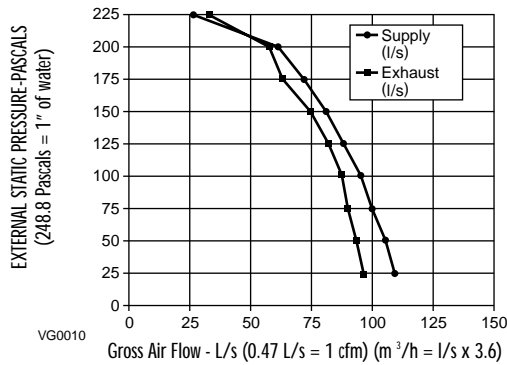
- Complies with the UL 1812 requirements regulating the installation of Heat Recovery Ventilators
- Complies with the CSA C22.2 #113 Standard applicable to ventilators
- Complies with CSA C444 requirements regulating the installation of Energy Recovery Ventilators
- Technical data was obtained from published results of tests relating to CSA C439 Standards
- HVI certified

# Dimensions and Service Clearances: Venmar AVS SOLO 1.5



## Ventilation Performance

EXT STATIC PRESSURE	NET SUPPLY AIR FLOW			GROSS AIR FLOW						
	Pa	in.w.g.	l/s	cfm	m <sup>3</sup> /h	SUPPLY		EXHAUST		
25	.1	83	175	299	83	176	299	82	175	295
50	.2	79	168	284	80	169	288	78	165	281
75	.3	75	159	270	75	159	270	75	158	270
100	.4	71	150	256	71	151	256	69	146	248
125	.5	64	136	230	64	136	230	60	127	216
150	.6	60	126	216	60	127	216	48	103	273
175	.7	53	113	191	53	113	191	38	80	227
200	.8	43	91	155	43	91	155	21	45	76



## Energy Performance

SUPPLY TEMPERATURE		NET AIR FLOW	POWER CONSUMED	SENSIBLE RECOVERY EFFICIENCY	APPARENT SENSIBLE EFFECTIVENESS	LATENT RECOVERY/MOISTURE TRANSFER
C°	F°					
<b>HEATING</b>						
0	+32	31	66	112	85	69
0	+32	56	119	202	124	60
0	+32	---	---	---	---	---
-25	-13	37	78	133	114	62
-25	-13	---	---	---	---	---
<b>COOLING</b>						
+35	+95	---	---	---	TOTAL RECOVERY EFFICIENCY	
+35	+95	---	---	---	Not tested	

NOTE: All specifications are subjected to change without notice.

## Specifications and Ratings

- Model: Venmar AVS SOLO 1.5
- Part Number: #43720 Canada, #43725 US
- Total Assembled Weight: (Including polypropylene core): 65 lbs (29.5 Kg)
- Supply Air Duct Connections: 6" (15.24 cm) diameter
- Exhaust Air Duct Connections: 6" (15.24 cm) diameter
- Drains: 1/2" (1.2 cm) fittings with 10 ft (3 m) PVC drain
- Filters: -20 ppi washable reticulated foam -15.375" x 7.125" x 0.75" (39 x 18 x 1.9 cm)

- Cabinet: 20 ga. pre-painted steel
- Insulation: 1" (2.54 cm) aluminium foil faced fiberglass 0.825" (2.10 cm) expanded polystyrene
- Mounting: suspension by chains and springs
- Supply & Exhaust Blower Motor: 1 motor
  - Protection type: Thermally protected
  - Insulation class: B
  - V (motor marking): 120 V ac, 50/60 Hz, 1.2/1.0 A, 1050/1300/1660 RPM

- Fan Speed Control: -Low, increased low & high speed.
  - Two speeds available to user.
  - Low or increased low speed is selected at the time of installation.
- Heat Recovery Core:
  - Heat Exchange Surface Area: 102 ft<sup>2</sup> (9.54 m<sup>2</sup>)
  - Type/Material: Crossflow / Polypropylene
- Unit Electrical Characteristics:
 

Volts	Freq	Amperes	Watts
Canada/US 120	60 Hz	1.3	150

Submitted by:		Date:	Project:
Qty:	Model #:	Remarks:	Location:
			Architect:
			Engineer:
			Contractor:

