



VENMAR AVS CONSTRUCTO 1.5

Part #43110 Canada

Part #1601602 U.S.A.

70 to 159 CFM (0.3 in. w.g.)

64 to 150 CFM (0.4 in. w.g.)



VB0111

CONSTRUCTO SERIES: PERFECT FOR NEW RESIDENTIAL CONSTRUCTION.

Affordability is a priority for the homebuilder who wants to offer a healthy environment. The Venmar AVS Constructo Series is an entry level product that offers all the basics features for the new construction market, such as a small-sized cabinet, integrated balancing damper and a no negative pressure defrost that ensures quick installation and trouble-free operation. Moreover, its operation can be interlocked with an existing furnace without adding an extra relay. Best price for builders and contractors requiring simple, affordable and reliable products.

- **A minimum of vital parts per unit:** Motor, damper and electronic circuit board
- **New removable terminal block:** To ease optional wall controls connection
- **Microprocessors:** A proven technology known for its reliability which allows the elimination of numerous electromechanical parts that are most likely to break down

REPAIRS AND MAINTENANCE

All parts of the AVS Constructo 1.5 that could need maintenance can be removed in less than 5 minutes, allowing direct access for easy repairs. The PSC motor is permanently lubricated.

WARRANTY

The AVS Constructo 1.5 HRV is protected by a 2-year warranty on parts only. The heat recovery core is covered by a limited lifetime warranty.

Available at:

HEAT RECOVERY VENTILATOR

Controls

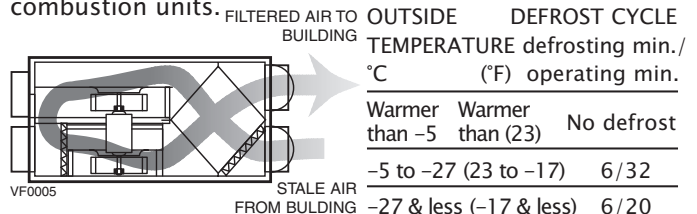
- This unit is very simple to operate: once it is installed, press on its push button, located on the electrical compartment, to activate it. Press once for low speed, once again for high speed and once more to stop it.
- For more convenience, the following main controls are available:
 - LITE-TOUCH CONSTRUCTO #40370
 - CONSTRUCTO #40350
- One or more of the following optional controls can be added:
 - Dehumidistat #11297
 - 60-min. mechanical timer #00910
 - 20-min. lighted push button #12030

Options

- Complete line of registers and diffusers
- Electric duct heater

Homeshield™ Defrosting System

The AVS CONSTRUCTO uses a unique defrosting method. No negative pressure is created by air exhausted to the outside, as the air is recirculated into the house, thus avoiding any backdraft from the chimney. Moreover, this defrosting method by air circulation ensures that no shortage of air is created for combustion units.



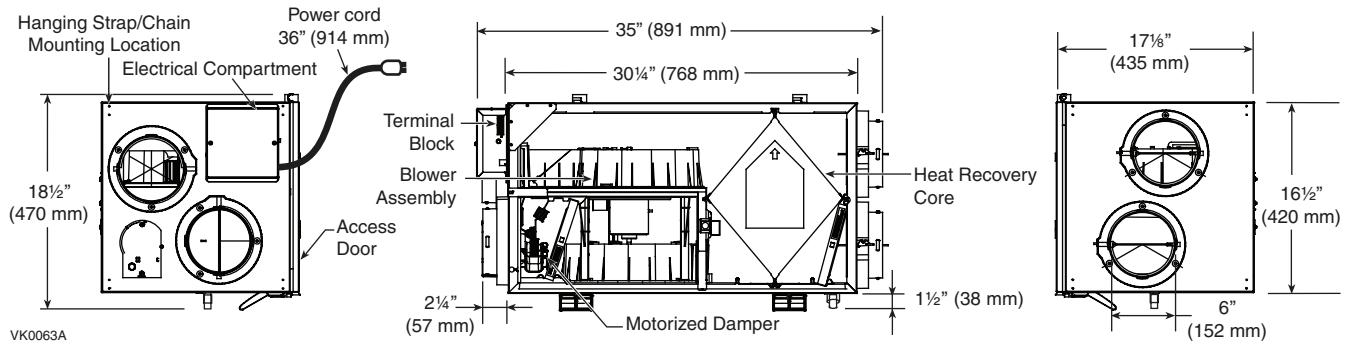
Heat Recovery Core

Dimensions: 12" x 14" x 15 1/2" (30.5 cm x 35.5 cm x 39.4 cm)
 Exchange surface: 102 ft² (9.54 m²)
 Weight: 6.2 lb (2.8 kg)
 Material: Polypropylene (coroplast)
 Type: Crossflow core
 Warranty: Limited lifetime

Requirements and Standards

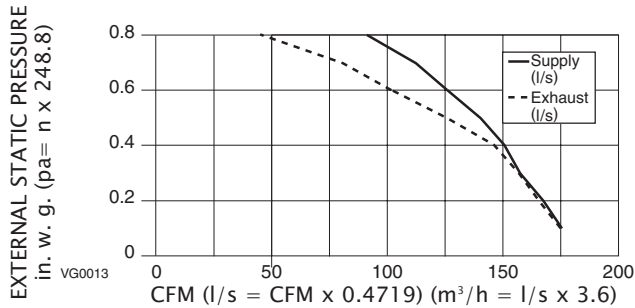
- Complies with the UL 1812 requirements regulating the installation of Heat Recovery Ventilators
- Complies with the CSA C22.2 #113 Standard applicable to ventilators
- Complies with CSA F326 requirements regulating the installation of Energy Recovery Ventilators
- HVI certified
- Technical data was obtained from published results of tests relating to CSA C439 Standards

Dimensions and Service Clearances: Venmar AVS CONSTRUCTO 1.5



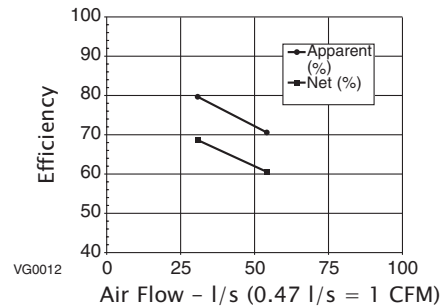
Ventilation Performance

EXT STATIC PRESSURE	NET SUPPLY AIR FLOW			GROSS AIR FLOW						
	Pa	inwg	l/s	cfm	m ³ /h	l/s	cfm	m ³ /h	l/s	cfm
25	.1	83	175	299	83	176	299	83	175	295
50	.2	79	168	285	80	169	288	78	165	281
75	.3	75	159	270	75	159	270	75	158	270
100	.4	71	150	256	71	151	256	69	146	248
125	.5	64	136	230	64	136	230	60	127	216
150	.6	59	126	214	60	127	216	48	103	173
175	.7	53	113	192	53	113	192	38	80	136
200	.8	43	91	155	43	91	155	21	45	76



Energy Performance

SUPPLY TEMPERATURE		NET AIR FLOW			POWER CONSUMED WATTS	SENSIBLE RECOVERY EFFICIENCY	APPARENT SENSIBLE EFFECTIVENESS	LATENT RECOVERY/MOISTURE TRANSFER
C°	F°	l/s	cfm	m ³ /h				
HEATING								
0	+32	31	66	112	85	69	81	-0.01
0	+32	56	119	202	124	60	70	-0.01
0	+32	--	--	--	--	--	--	--
-25	-13	37	78	133	114	62	80	0.08
-25	-13	--	--	--	--	--	--	--
COOLING						TOTAL RECOVERY EFFICIENCY		
+35	+95	--	--	--	--	Not tested		
+35	+95	--	--	--	--	--		



NOTE: All specifications are subjected to change without notice.

Specifications and Ratings

- Model: Venmar AVS CONSTRUCTO 1.5
- Part Numbers: #43110 Canada, #1601602 U.S.A.
- Total Assembled Weight: (Including polypropylene core) 65 lb (29.5 kg)
- Supply and Exhaust Air Duct Connections: 6" (15.24 cm) diameter
- Drains: 1/2" (1.2 cm) fittings with 10 ft (3 m) PVC drain
- Filters: -15 ppi washable reticulated foam -15.375" x 7.125" x 0.75" (39 x 18 x 1.9 cm)
- Cabinet: pre-painted steel
- Insulation: 1" (2.54 cm) aluminum foil faced fiberglass 0.825" (2.10 cm) expanded polystyrene
- Mounting: suspension by chains and springs
- Supply & Exhaust Blower Motor: 1 motor
 - Protection type: Thermally protected
 - Insulation class: B
 - V (motor marking): 120 V ac, 50/60 Hz, 1.2/1.0 A, 1050/1300/1660 RPM
- Fan Speed Control:
 - Low, increased low & high speed
 - Two speeds available to user
 - Low or increased low speed is selected at the time of installation
- Heat Recovery Core:
 - Heat Exchange Surface Area: 102 ft² (9.54 m²)
 - Type: Crossflow
 - Material: Polypropylene
- Unit Electrical Characteristics:

Volts	Freq.	Amps	Watts
120	60 Hz	1.3	150

Submitted by:		Date:	Project:
Qty:	Model #:	Remarks:	Location:
			Architect:
			Engineer:
			Contractor:



Residential Product Group, 550 Lemire Blvd, Drummondville, QC, Canada J2C 7W9 - Tel.: 1-800-567-3855 Fax: 1-800-567-1715



www.venmar.ca

08/07

PRODUCT SHEET #91265A