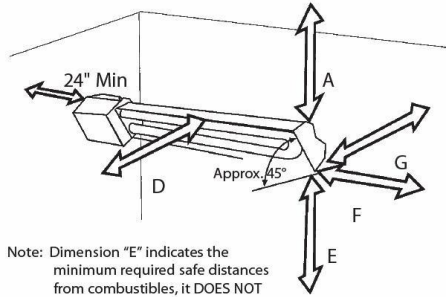


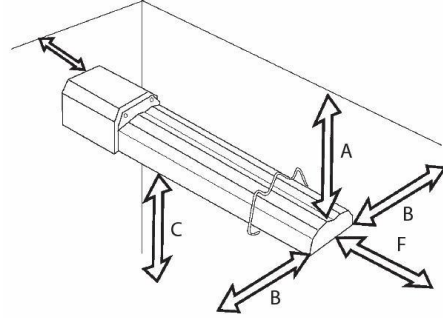
### 45° Tilted Installations



Note: Dimension "E" indicates the minimum required safe distances from combustibles, it DOES NOT indicate the required mounting height. The minimum mounting height is 7 feet, except for aircraft hangars and public garages.

MINIMUM REQUIRED SAFE DISTANCES								
Model	BTU/Hr	A	B	C	D	E	F	G
MHT-45	45,000	5"	24"	54"	38"	36"	6"	4"
HST-45	45,000	5"	24"	54"	38"	36"	6"	4"

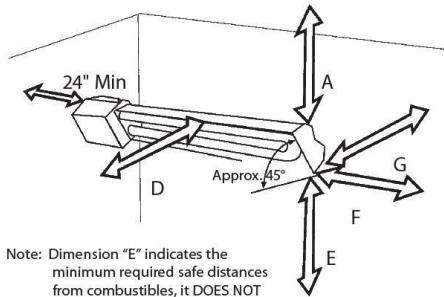
### Horizontal Installations



Note: Dimension "C" indicates the minimum required safe distances from combustibles, it DOES NOT indicate the required mounting height. The minimum mounting height is 7 feet, except for aircraft hangars and public garages.

MINIMUM REQUIRED SAFE DISTANCES								
Model	BTU/Hr	A	B	C	D	E	F	G
MHT-45	45,000	5"	24"	54"	38"	36"	6"	4"
HST-45	45,000	5"	24"	54"	38"	36"	6"	4"

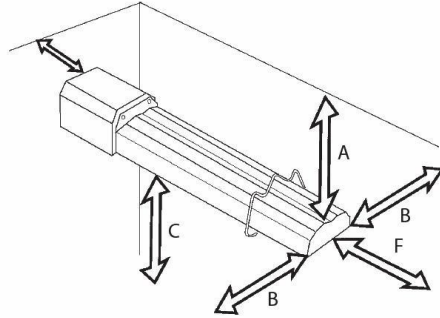
### 45° Tilted Installations



Note: Dimension "E" indicates the minimum required safe distances from combustibles, it DOES NOT indicate the required mounting height. The minimum mounting height is 7 feet, except for aircraft hangars and public garages.

MINIMUM REQUIRED SAFE DISTANCES								
Model	BTU/Hr	A	B	C	D	E	F	G
MHT-45	45,000	5"	24"	54"	38"	36"	6"	4"
HST-45	45,000	5"	24"	54"	38"	36"	6"	4"

### Horizontal Installations



Note: Dimension "C" indicates the minimum required safe distances from combustibles, it DOES NOT indicate the required mounting height. The minimum mounting height is 7 feet, except for aircraft hangars and public garages.

MINIMUM REQUIRED SAFE DISTANCES								
Model	BTU/Hr	A	B	C	D	E	F	G
MHT-45	45,000	5"	24"	54"	38"	36"	6"	4"
HST-45	45,000	5"	24"	54"	38"	36"	6"	4"