

Metalbest® Chimney System (MCS)

The rugged all-fuel chimney designed for maximum safety and performance!

METALBEST
CHIMNEY & VENTING SYSTEMS

We Stand Behind Our Products.

Backing our commitment to quality, Metalbest All-Fuel Chimney Systems carry the "Smart Choice" Limited Lifetime Warranty. All system components (not just the insulated lengths) are warranted against defects in material and workmanship for the life of the product.

An impeccable safety record, along with unsurpassed durability, design and materials, all give us the confidence to offer a warranty this comprehensive and unmatched by anyone else in the industry.

For over 85 years we have been the industry's chimney innovator, using the highest in design standards to develop the safest products.

Safety

Our All-Fuel Chimney is listed to Underwriters Laboratories Safety Standard for Factory-Built Chimneys (UL-103).

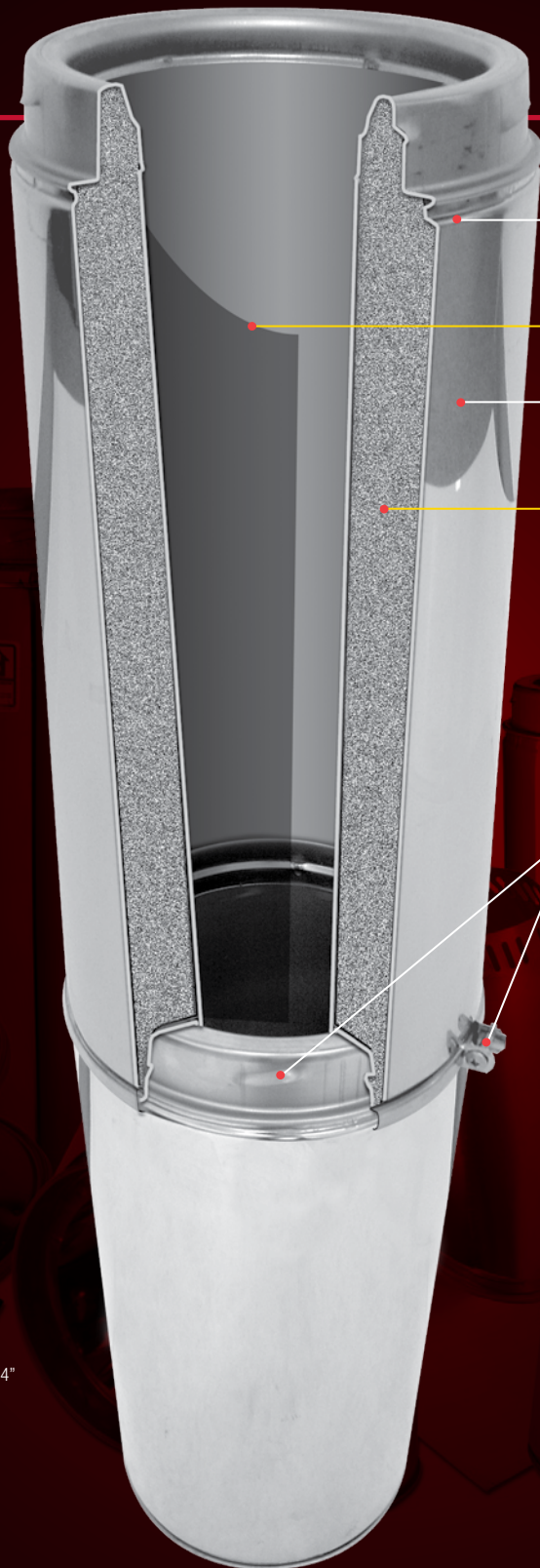
ULTRA-TEMP® HT GALVA-TEMP® HT

Diameter Sizes: 5", 6", 7" & 8"
Part Identification: Letter UT and GT
Clearances: 2" of Airspace to Combustibles
Temperature Ratings: 2100°F (Maximum Test 10 min.)
1400°F (Maximum for 60 min.)
1000°F (Maximum Continuous Operating Temperatures)



ULTRA-TEMP® GALVA-TEMP®

Diameter Sizes: 10", 12", 14", 16", 18", 20", 22" & 24"
Part Identification: Letter U and G
Clearances: 2" of Airspace to Combustibles
Temperature Ratings: 1700°F (Maximum Test 10 min.)
1400°F (Maximum for 60 min.)
1000°F (Maximum Continuous Operating Temperatures)



Ultra-Temp® - All-Stainless Steel
Galva-Temp® - Galvanized Exterior

5"-8" Type HT All-Fuel Chimney listed to UL103HT

304 Stainless Steel inner liner

Choice of Stainless Steel or Galvanized Steel outer casing

1" Solid Pack Insulation - Our proprietary Solid Pack Insulation helps maintain higher flue gas temperatures for superior drafting performance and lower outside temperatures for safety. Independent testing by Omni Labs shows Ultra-Temp Chimney is the coolest under the hottest conditions.*

Twist-Lock Coupler w/Locking Band included at no extra charge

• Hard Tooled supports and accessories for the perfect fit every time

• "Smart Choice" Lifetime Warranty



Professional installation qualifies for extended coverage - see warranty for details.

*UL103HT Chimney independently tested by Omni-Test Laboratories, Inc.

Get the Selkirk® Advantage...

The tradition continues... Selkirk is the original innovator of prefabricated Venting systems – and we continue to move forward. Count on Selkirk, the world's most recognizable name in Chimney & Venting, for the widest range of high-performance products to meet your needs.

Selkirk Corporation
1301 W. President George Bush Hwy,
Suite 330
Richardson, Texas 75080- 1139
1.800.992.VENT (8368)
Toll Free Fax: 1.877.393.4145

Selkirk Canada Corporation
375 Green Road
Stoney Creek, Ontario
Canada L8E 4A5
1.888.SELKIRK (735.5475)
Toll Free Fax: 1.866.835.9624



www.selkirkcorp.com



METALBEST
CHIMNEY & VENTING SYSTEMS

All-Fuel Chimney Buyers Guide



Ultra-Temp®
All-Stainless Steel

Galva-Temp®
Galvanized Exterior



Metalbest Chimney Systems
"The Coolest Under the Hottest Conditions..."



Metalbest® Chimney System (MCS) Insulated Pipe and Accessories

The rugged all-fuel chimney designed for maximum safety and performance!

Insulated Pipe (5", 6", 7" & 8" I.D.; 6", 9", 12", 18", 24", 36" & 48" Lengths)



Adjustable Insulated Pipe (T-AIP)



Insulated Tee & Plug (T-IT)

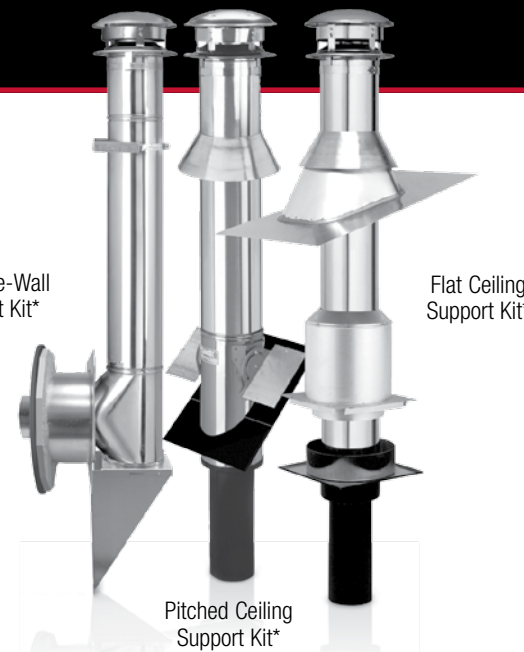


Insulated Elbow Kits
15° - (T-EL15)
30° - (T-EL30)



Thru-The-Wall Support Kit*

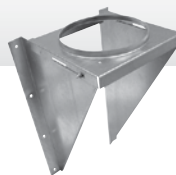
Flat Ceiling Support Kit*



Pitched Ceiling Support Kit*

* Chimney lengths are not included in kits, except the Thru-The-Wall kit contains a T-12 for the horizontal run.

Wall Support Kit (T-WSK)



Finish Support Package (T-FSP)



Finish Support Package Round (T-FSPR)



Anchor Plate (T-AP)



Roof Support Package (T-RSP)



Support Box (T-SB)



Interior Resupport (T-IR)



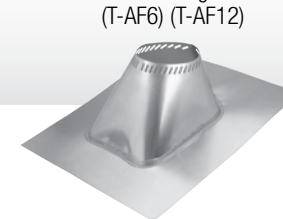
Round Top (T-CT)



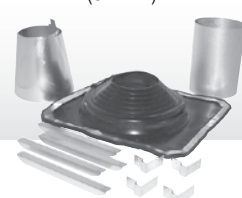
Storm Collar (T-SC)



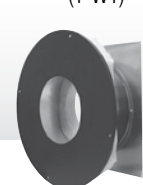
Adjustable Flashing (T-AF6) (T-AF12)



Rubber Boot Flashing Kit (URBAK)



Insulated Wall Thimble (T-WT)



Attic Insulation Shield (T-AIS)



Fire Stop/Joist Shield (JS)



Dripless Stove Pipe Adapter W/Coupler (T-DSAC)



Dripless Stove Pipe Adapter (T-DSA)



Roof Brace Kit (T-RBK) (Pipe Not Included)



Wall Band (T-WB)



Adjustable Pitched Ceiling Plate (T-PCPAJ)



Finish Collar (T-FC)



Trim Plate (T-PS)



SUSI Insulation



Fuels and Appliances

Ultra-Temp and Galva-Temp (MCS) systems are certified to UL103HT for All-Fuel Chimney systems in sizes 5", 6", 7" and 8". These Type A-Vent Chimneys have been tested, listed and certified to meet the 2100 degree safety standard by Underwriters Laboratories. Sizes 10"-24" Type A-Vent Chimneys have been tested, listed and certified to UL103 (1700 degree) safety standard by Underwriters Laboratories.

A System for Every Installation

The MCS includes a variety of components to meet every installation requirement. These components may be combined in a wide variety of ways to solve almost any chimney installation problem. For additional information on part selection, refer to the guide pages and diagrams located in this catalog.

Complete Product Information

The Ultra-Temp and Galva-Temp (MCS) product lines are supported by the website at www.selkirkcorp.com. Visit our site for product catalogs, installation instructions and web-based tools, including an On-Line Chimney Planner, Dealer Locator, Selkirk University On-Line Training and more.

PIPE DIAMETER (choose one):	5"	6"	7"	8"	U=Ultra Temp.	G=Galva Temp.	ITEM	PRODUCT CODE	QUANTITY	PRICE
INSULATED CHIMNEY PIPE										
6" LENGTH (T6)								20X006U or 20X006G	_____	_____
9" LENGTH (T9)								20X009U or 20X009G	_____	_____
12" LENGTH (T12)								20X012U or 20X012G	_____	_____
18" LENGTH (T18)								20X018U or 20X018G	_____	_____
24" LENGTH (T24)								20X024U or 20X024G	_____	_____
36" LENGTH (T36)								20X036U or 20X036G	_____	_____
48" LENGTH (T48)								20X048U or 20X048G	_____	_____
ADJ. INSULATED PIPE (T-AIP)								20X011U	_____	_____
INSULATED TEE (T-IT)								20X100 or 20X100G	_____	_____
15° INSULATED ELBOW KIT(T-EL15)*								20X206 or 20X206G	_____	_____
30° INSULATED ELBOW KIT(T-EL30)*								20X211 or 20X211G	_____	_____
WALL SUPPORT KIT (T-WSK)								20X430	_____	_____
FINISH SUPPORT**								20X410(FSP) or 20X411(FSPR)	_____	_____
ANCHOR PLATE (T-AP)								20x400	_____	_____
ROOF SUPPORT (T-RSP)								20X420 or 20X420G	_____	_____
SUPPORT BOX (T-SB)								20X424	_____	_____
INTERIOR RESUPPORT								20X435	_____	_____
ROUND TOP (T-CT)								20X800	_____	_____
STORM COLLAR (T-SC)								20X810	_____	_____
ADJUSTABLE FLASHING (T-AF6)								20X825	_____	_____
2/12 TO 6/12									_____	_____
ADJUSTABLE FLASHING (T-AF 12)								20X830	_____	_____
6/12 TO 12/12									_____	_____
RUBBER BOOT FLASHING KIT (T-TF)								200275	_____	_____
ATTIC INSULATION SHIELD (T-AIS)								20X490	_____	_____
INSULATED WALL THIMBLE (T-IWT)								20X463	_____	_____
FIRE STOP/JOIST SHIELD (T-JS)								20X465	_____	_____
DRIPLESS SMOKE PIPE ADAPTER WITH COUPLER (T-DSAC)								20X240	_____	_____
DRIPLESS SMOKE PIPE ADAPTER (T-DSA)								20X242	_____	_____
ROOF BRACE KIT (T-RBK or URBK)								20X440(RBK) or 200240(URBK)	_____	_____
WALL BAND (T-WB)								20X520	_____	_____
ADJ. PITCHED CEILING PLATE 0/12-6/12 (T-PCPAJ)								20X512	_____	_____
ADJ. PITCHED CEILING PLATE 6/12-12/12 (T-PCPAJ12)								20X514	_____	_____
FINISH COLLAR (T-FC)								20X480	_____	_____
TRIM PLATE (T-PS)								20X488	_____	_____
SUSI INSULATION (SUSI)								2000001	_____	_____
									TOTAL	_____

*2 Elbows, 2 Locking Bands, 1 Interior Resupport and Couplers

** (T-FSP) SQUARE (T-FSPR) ROUND

For a complete product catalog, order All Fuel Catalog #MBAFC00-E.

CHIMNEY KITS

ITEM	PRODUCT CODE	QUANTITY	PRICE
Roof Termination Kit (CT, AF6 & SC)	20X600	_____	_____
Flat Ceiling Support Kit (CT, AIS, SC, FSP, AF6 & DSAC)	20X620	_____	_____
Pitched Ceiling Support Kit (CT, SC, FC, RSP, DSAC & PCPAJ)	20X621 or 20X621G	_____	_____
THRU-THE-WALL SUPPORT KIT (CT, WB, IT, FC, WSK, IWT, CPA & T-12)	20X622 or 20X622G	_____	_____

DSP - DOUBLE WALL STOVE PIPE Available in 6", 7", 8"

PIPE DIAMETER (choose one):	6"	7"	8"	ITEM	PRODUCT CODE	QUANTITY	PRICE
Vertical Installation Kit, Includes Telescoping length 39"-66" (DSP-VK)							
36" Length (DSP-36)							
24" Length (DSP-24)							
12" Length (DSP-12)							
12" Adjustable Length (DSP-AL)							
90° Elbow (DSP-E9K)							
45° Elbow (DSP-E4-1)							
Tee with Insulated Cap (DSP-TE-1)							
Chimney Pipe Adapter (DSP-CPA)							

We carry a full line of increasers and decreasers to fit 6", 7" and 8" diameters.

For a complete product catalog, order Stove Pipe Catalog #DSP002-E.