



gas fireplace
inserts



why choose Regency?

Beautiful Home Heating Solutions

RegencyFireplaceProducts was founded over 30 years ago with a mission to produce the finest fireplace products available anywhere. Regency has heating solutions for any room in any home.

Regency Quality

The Regency name means quality in every way. The product is created and built in a world class manufacturing facility focused on getting every detail just right. Represented across North America by a carefully selected professional retail network; you can rely on knowledgeable dealers and installers who understand how to make our products run safely and to the optimum performance.

Exceptional Fire

The essence of each and every Regency fireplace is the unique flame. With its dancing flames and glowing embers, realistic logs or unique Sunrise burners your Regency fire is spectacular.

Custom Styling

By researching current trends and styles we have created tasteful options and accessories that allow you to tailor the look of our fireplace to your home. Sleek and simple or grand and glamorous... the choice is yours.

Cut Home Heating Bills in Half!

Turn down your furnace and zone heat with high efficiency heat just in the rooms you spend time in. This will lower your home heating bills. The entire Regency Gas Fireplace Insert line produces consistent, controllable warmth even during power outages.

One Regency = One Tree

At Regency, we are committed to protecting our environment. For every Regency sold, we will plant a tree. Working with *American Forests*, the trees planted across North America will offset carbon emissions and take one more step to restore nature's balance.

Lifetime Warranty

I am so confident in the quality workmanship, the finest materials and durable heavy-duty construction invested in each and every product, that I offer a Limited Lifetime Warranty. The Regency warranty is the best in the industry. We are absolutely sure that you will be as proud of your Regency Gas Fireplace Insert as we are – I guarantee it.



Robert Little
Founder & CEO



index

Liberty Gas Fireplace Inserts L540E, L390E	4
Regency Horizon™ Gas Fireplace Inserts HZI540E, HZI390E	6
Sunrise™ Gas Fireplace Inserts E33S U32S/U32SE	8
Energy Gas Fireplace Inserts E33	10
U32, U32E, U31	12
E21	14
Regency Horizon & Liberty Gas Fireplace Inserts HZI234E	16
L234	17
Design Choices	20
Technical Specs	22



Liberty™ L540E & L390E

Large Gas Inserts



L540E shown with full screen doors and brick panels.

High Definition Log Set Designed to Radiate More Heat

Regency Liberty™ High Efficiency Inserts offer timeless charm that combines modern style with rustic appeal. The High Definition Fire (HDF) package highlights the authentic flames that are set on a bed of glowing embers.

Not only does the HDF package create an intense glow and realistic flame, it is also designed to hold and radiate more heat and ultimately increase the efficiency of your insert.



L390E shown with low profile faceplate and brick panels.



L540E shown with low profile faceplate, brick panels and safety screen.



L390E shown with low profile faceplate in black and brick panels.



L390E shown with low profile faceplate in sunset bronze and reflective panels.

Specifications (NG)	L540E	L390E
Input (BTU)	38,000	31,000
Turn down to (BTU)	25,000	22,000
EnerGuide Rating*	70.16%	71.9%
Efficiency (steady state)	84%	84%

Min. Fireplace Opening	L540E	L390E
Width (front)	34"	30"
Width (rear)	25"	22"
Height	24"	20"
Depth	16-3/4"	15-1/2"
View area	540 sq.in.	390 sq. in.

* for Canada only

For detailed specifications please see pages 21-22.

Standard Features

- Natural Gas
- Flush front with Ceramic safety glass
- Ceramic Log Set molded from real wood
- Ceramic burner with built-in glowing ember bed
- Electronic Ignition with SureFire™ switch (L390E)
- Proflame GTM or GTMF Remote Controls (L390EB & L540EB)
- Variable Speed Blower (L390EB & L540EB only)
- 6-tube heat exchanger for maximized efficiencies
- 30° angled flue (for versatile installations)
- Easy Access Controls
- Direct Vent

Optional Features

- Low profile faceplates (comes with removable mesh glass guard)
- Customizable backing plate (3 or 4 sided)
- Full Screen Doors
- Brick Panels
- Enamel Reflective Panels
- Variable Speed Blower (L390E only)
- Programmable Wall Thermostat
- Regency Flex Venting
- Propane Conversion kit

Regency Horizon™ HZI540E & HZI390E Contemporary Gas Inserts



Regency Horizon HZI540E shown with low profile faceplate in black and copper crystals.

High-Efficiency Heating in a Modern Insert

These contemporary inserts features a vibrant and dramatic flame that dances on a full continuous bed of glass crystals, which amplify the visual appeal of the linear burner. The generous ceramic glass maximizes the radiant heat output and provides an impressive view framed with a sleek low profile faceplate.

With several design choices to choose from in 3 modern colours, both the HZI390E and HZI540E can be customized to complement the décor of any modern living space.



HZI390E shown with low profile faceplate and black crystals.



HZI540E shown with low profile faceplate and copper crystals.



HZI390E shown with low profile faceplate in iron gray, reflective panels and blue crystals.



HZI390E shown with low profile faceplate in sunset bronze and copper crystals.

Specifications (NG)	HZI540E	HZI390E
Input (BTU)	38,000	31,000
Turn down to (BTU)	25,000	22,000
EnerGuide Rating*	73.72%	70.1%
Efficiency (steady state)	84%	84%

Min. Fireplace Opening	HZI540E	HZI390E
Width (front)	34"	30"
Width (rear)	25"	22"
Height	24"	20"
Depth	16-3/4"	15-1/2"
View area	540 sq.in.	390 sq. in.

* for Canada only

For detailed specifications please see pages 21-22.

Standard Features

- Natural Gas
- Flush front with Ceramic safety glass
- Linear burner (glass crystals required)
- Electronic Ignition with SureFire™ switch
- Proflame GTM or GTMF Remote Controls
- Variable Speed Blower (HZI390EB only)
- 6-tube heat exchanger for maximized efficiencies
- 30° angled flue (for versatile installations)
- Easy Access Controls
- Direct Vent

Optional Features

- Crystals in various colours
- Low profile faceplates in two sizes (comes with removable mesh glass guard)
- Customizable backing plate (3 or 4 sided)
- Full Screen Doors
- Brick Panels
- Enamel Reflective Panels
- Variable Speed Blower (HZI390E only)
- Ceramic Spa Stones
- Natural River Pebbles
- Programmable Wall Thermostat
- Regency Flex Venting
- Propane Conversion kit

Sunrise™ E33S/U32SE

Contemporary Gas Inserts



Regency E33S Sunrise Gas Insert

Clean Contemporary Style

Finally, contemporary fireplace inserts that present a modern look while providing high efficiency heat. The tasteful surround has been designed with subtle dimension and clean, straight lines that draw the eye to the delicate Regency Sunrise™ fire with cobalt blue crystals. Transform your drafty fireplace to a modern heater instantly!





E33 shown with contemporary surround and brick panels.

U32S shown with low profile faceplate

Sunrise fire with ceramic spa stones.

Specifications (NG)	E33S	U32SE
Input (BTU)	26,000	24,500
Turn down to (BTU)	13,500	16,500
EnerGuide Rating*	55.50%	50.65%
Efficiency (steady state)	69.58%	66.97%
Min. Fireplace Opening	E33S	U32SE
Width (front)	32-1/4"	26-1/2"
Width (rear)	25"	22-1/2"
Height	24-1/2"	22"
Depth	16-3/4"	14"

*for Canada only

For detailed specifications please see pages 21-22.

Standard Features

- Natural Gas
- Sunrise™ fire with cobalt blue crystals (patent pending)
- Easy access controls
- Variable speed blower
- Flush front with ceramic safety glass
- 30° angled flue for versatile installations (E33S only)
- Direct vent
- Standing pilot system (E33S)
- Electronic ignition with Surefire switch (U32SE)

Optional Features

- Low profile faceplates
- Contemporary surround and door frame
- Stainless steel or black enamel inner panels
- Natural River Pebbles
- Ceramic spa stones
- Crystals in various colors
- 2" hearth trim
- Remote Control or Thermostat
- Regency flex venting
- Propane conversion kit

Energy E33

Large Gas Insert



Regency E33 gas insert featuring gold louvers, brick panels and contour faceplate

Turns Your Drafty Fireplace Into an Attractive Heat Source

With 38,000 BTU of comforting, controllable heat and a full, yellow fire, this insert is guaranteed to warm your room quickly and consistently. This Direct Vent Gas Insert is perfect for airtight homes or basements because the sealed firebox doesn't use internal air. All Regency gas inserts can be enjoyed from the comfort of your sofa with the Regency remote control or wall thermostat.





Shown with Excalibur surround, double doors and accent kit.



Shown with black full screen doors and brick panels.



Shown with contemporary surround, door frame and brick panels.



E33 fire package with platinum bright embers.

Specifications	Natural Gas	Propane
Input (BTU)	38,000	35,500
Turn down to (BTU)	20,000	19,000
EnerGuide Rating*	60.79%	61.52%
Efficiency (steady state)	83%	84%

Minimum Fireplace Opening / Faceplate	Low profile/ Contour/ Full screen doors	Excalibur
	Width (front)	32-1/4"
Width (rear)	25"	25"
Height	24-3/16"	26"
Depth	16-3/4"	17-3/4"

* For Canada only
For detailed specifications please see pages 21-22.

Standard Features

- Natural Gas
- Beautiful fire with glowing logs, platinum bright embers & Embaglow Embers
- Flame height adjustment control with 50% turn down
- Flush front with ceramic safety glass
- Easy access controls
- Variable speed blower
- 30° angled flue for versatile installations
- Direct Vent

Optional Features

- Low profile faceplates
- Excalibur surround, double doors & accent kits
- Contemporary surround and door frame
- Contour faceplate
- Louvers
- Full screen doors
- Brick panels
- Hearth trims - various sizes
- FireGenie® Remote Control
- Wall thermostat
- Regency flex venting
- Propane conversion kit

Energy U31/U32/U32E

Medium Gas Inserts



Regency U31 Gas Insert featuring Excalibur surround and double doors in black, gold accents & brick panels.

Customize to Suit Your Style

This Regency insert is a complete fireplace system that can turn your existing wood fireplace into a high efficiency, clean burning gas heater. Choose from several faceplates, designer fronts (including Excalibur arched surrounds), many finishes, brick panels and so much more! Enjoy peace of mind even during power outages, all Regency gas inserts operate without electricity.





U32 shown with brick panels and low profile faceplate.



U32 shown with black louvers, brick panels, and contour faceplate.

U32 shown with full screen door in black and brick panels.

Specifications (NG)	U32	U32E	U31
Input (BTU)	30,000	30,000	30,000
Turn down to (BTU)	15,300	19,500	14,500
EnerGuide Rating*	57.17%	58.04%	52.9%
Efficiency (steady state)	76%	76%	76%

Min. Fireplace Opening	U32/U32E	U31
Width (front)	26-1/2"	26-1/2"
Width (rear)	22-1/2"	22-1/2"
Height	22"	21"
Depth	14"	15"

* For Canada only

For detailed specifications please see pages 21-22.

Standard Features

- Natural Gas
- Beautiful fire with glowing logs, platinum bright embers, fire grate & Embaglow Embers
- Flame height adjustment control
- Flush front with ceramic safety glass
- Easy access controls
- Variable speed blower
- Direct Vent (U32/U32E)
- B Vent (U31)
- Standing pilot system (U31/U32)
- Electronic ignition with Surefire switch (U32E)

Optional Features

- Low profile faceplates
- Contemporary surround and door frame (U32/U32E)
- Excalibur surround, double doors & accent kits (U31)
- Contour faceplate
- Glass bay front & glass trim (bay only)
- Louvers
- Full screen doors
- Brick panels
- Hearth trims - various sizes
- FireGenie® Remote Control & Wall thermostat
- New fireplace kit (U31 only)
- Regency flex venting
- Propane conversion kit

Energy E21

Small Gas Insert



Energy E21 Gas Insert featuring flush front, contour faceplate, brushed steel louvers and standard brick panels.

Designed to Fit Almost Anywhere

If you have a smaller fireplace opening or want to heat a smaller living space, you don't have to sacrifice a beautiful fire and high efficiency. The E21 Energy Gas Insert has been designed to fit almost anywhere – including bedrooms and alcoves. Enjoy consistent, controllable, convenient heat at the flick of a switch.





Shown with contour faceplate, black louvers and brick panels.



Shown with black full screen doors.



Shown with black louvers, brick panels and contour faceplate.



Shown with black louvers, brick panels and contour faceplate.

Specifications	Natural Gas	Propane
Input (BTU)	23,500	22,500
Turn down to (BTU)	11,750	11,250
EnerGuide Rating*	60.60%	53.48%
Efficiency (steady state)	77%	78%

Minimum Fireplace Opening	
Width (front)	26-1/2"
Width (rear)	18"
Height	17-3/4"
Depth	14"

* For Canada only
For detailed specifications please see pages 21-22.

Standard Features

- Natural Gas
- Beautiful fire with glowing logs, platinum bright embers & Embaglow Embers
- Flame height adjustment control with 50% turn down
- Flush front with ceramic safety glass
- Easy access controls
- Variable speed blower
- B Vent

Optional Features

- Low profile faceplate
- Contour faceplate
- Louvers
- Full screen doors
- Brick panels
- Hearth trims - various sizes
- FireGenie® Remote Control
- Wall thermostat
- New fireplace kit
- Regency flex venting
- Propane conversion kit

Regency Horizon™ HZI234E & Liberty™ L234

Small Gas Insert



Regency Horizon HZI234E gas insert featuring a contour faceplate, and black glass crystals.

Compact Size for Tighter Openings

A clean front fireplace insert that will slide easily into your dated, drafty steel fireplace and transform it to a high efficiency heater in minutes. Available in two distinct styles: traditional realistic logs (L234) and contemporary linear burner (HZI234E). Customizable accessories and a limited lifetime warranty are just a few more reasons you will choose a high quality Regency fireplace insert!





L234 shown with contour faceplate, hearth riser and brick panels.



L234 shown with contemporary faceplate, hearth riser, backing plate and brick panels.



L234 shown with contour faceplate, hearth riser, backing plate and brick panels.



HZI234E shown with low profile faceplate and copper crystals.

Specifications (NG)	L234	HZI234E
Input (BTU)	23,500	16,500
Turn down to (BTU)	12,500	12,000
EnerGuide Rating*	63.3%	TBD
Efficiency (steady state)	74%	74%

Minimum Fireplace Opening	L234	HZI234E
Width (front)	25"	25"
Width (rear)	16"	16"
Height	17"	17"
Depth	14"	14"

* for Canada only

For detailed specifications please see pages 21-22.

Standard Features

- Natural Gas
- Standing pilot with direct spark ignition (L234)
- Electronic ignition with Surefire switch (HZI234E)
- Flush Front with Ceramic Safety Glass
- Realistic Logs with Beautiful Flames, platinum bright embers & Embaglow Embers (L234)
- Linear burner (glass crystals required) (HZI234E)
- 30° Angled Flue (for versatile installation)
- Clean Front 234 sq. in. Viewing Area
- Variable Speed Blower
- Easy Access Controls
- Flame Height Adjustment
- Direct Vent

Optional Features

- Contemporary or Contour Faceplate
- Low profile faceplates
- Customizable Backing Plate
- Adjustable Hearth Riser
- Brick Panels (L234)
- Reflective inner panels (HZI234E)
- Crystals in various colours (HZI234E)
- Ceramic Spa Stones (HZI234E)
- Natural River Pebbles (HZI234E)
- Wall Thermostat or FireGenie® Remote
- Regency Flex Venting
- 3" to 2" air intake reducer
- Propane conversion kit

You deserve a fireplace makeover



Problem:

- ◆ I have a drafty wood or gas fireplace.
- ◆ I have inefficient gas logs.
- ◆ I need an updated fireplace style.



Solution:

- ◆ Choose the gas fireplace insert that fits your opening and install.
- ◆ Voila! Updated fire, updated fireplace style, and much lower heating bill.

comfort controls

Create optimal comfort with the ease and convenience at the touch of a button with a Regency Comfort Control System. Our user friendly programmable controls can be set, adjusted and programmed for your fireplace to come on at the temperature you want when you want it. Regency control systems are available with a variety of features to suit your household home heating needs.

Feature	Description	FireGenie Remote	Proflame Remotes			Programmable Thermostat
			GT	GTM	GTMF	
On/Off		✓	✓	✓	✓	✓
Child lock		-	✓	✓	✓	-
LCD Backlit Screen		✓	✓	✓	✓	✓
Clock		✓	-	-	-	✓
Temperature display	°F / °C	✓	✓	✓	✓	✓
Thermostat	one setting (all days)	✓	✓	✓	✓	✓
	5-day day weekday & 2-day weekend	✓	-	-	-	✓
Smart thermostat*		-	-	✓	✓	-
Flame adjustment	(6 levels)	-	-	✓	✓	-
Fan control**	(6 levels)	-	-	-	✓	-

* Smart Thermostat - Rather than a thermostat that simply turns your fireplace on and off, the Smart Control function allows you to set your desired room temperature and as the room reaches your personal setting the flame intensity and heat will gradually decrease – keeping the ambiance of your Regency fire on with less heat output with the option to turn off at any time.

** For models that have a blower.

*** For models that have an optional accent light.



Thermostat



Proflame Remote Control



FireGenie Remote Control



Maximizing Comfort and Efficiency

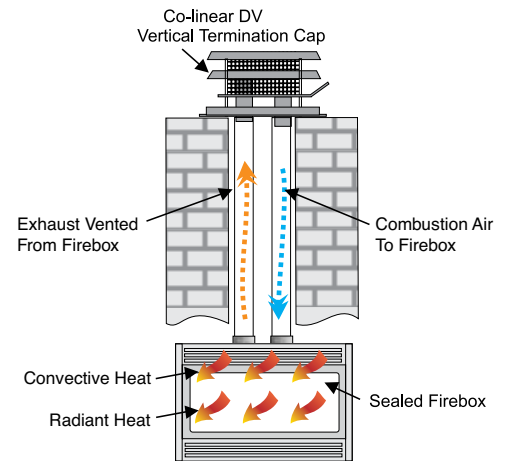
Regency Fireplace Inserts deliver controllable heat solutions combining the latest in radiant/convection heat technology and innovative features.

- ☑ Adjustable flame/heat control
- ☑ Heat radiating ceramic glass for maximum radiant heat performance
- ☑ **SureFire™ Electronic Ignition** switch with battery backup features a fuel saving intermittent pilot ignition conserving energy when not in use.
- ☑ **Power's Out, Heat's On.** Never worry about being cold in a power outage again! All Regency gas fireplaces operate without electricity. Enjoy peace of mind all winter long.

Direct Vent Technology

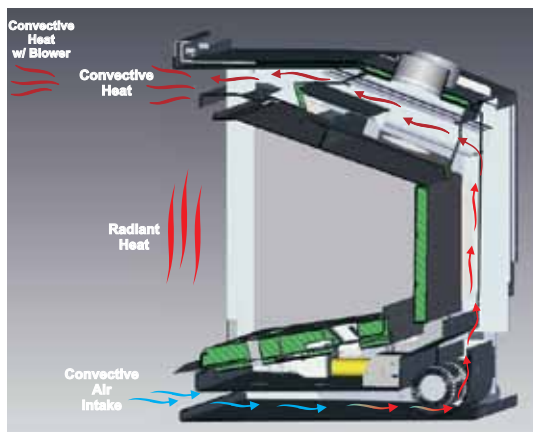
A Regency® Gas Insert is a specially engineered, sealed fireplace that slips into your existing masonry or pre-fab fireplace to create a high efficiency heating system with a beautiful fire. The airtight firebox means that you will keep all of the comforting heat generated from your Regency inside your home. Even when your fireplace is turned off, you will not lose heat up the chimney.

All the air used by the fireplace for combustion comes from outside the home and is vented to outside the home maintaining indoor air quality.



SureFire™ Electronic Ignition

The SureFire system offers an electronic ignition system which saves you money by ensuring the pilot light is only turned on when the fireplace needs to be ignited. This Electronic Ignition System converts to Standing Pilot at the flick of a switch; making it ideal during the winter season if you live in a colder climate.



Blower

Spread the warmth

Extreme Efficiency

The precision engineered heat exchanger systems, dramatically increase the overall heating efficiency of these Regency gas inserts. The cold air from your room passes through the pre-heated heat exchanger system which is then re-distributed back into your room as comforting warm air (also known as convection heat).

Intense Radiant Heat

Not only do these gas inserts include the latest innovations in fireplace technology and efficiencies, they also generate a large amount of radiant heat from the flames and glow of the Fire Package. The heat from the fire radiates through the ceramic glass and transfers that warmth to you. Providing the perfect combination of radiant and convective heat distribution.

Variable Speed Blower to Maximize Efficiency

Adding a Regency blower will let you enjoy the warmth of your fireplace from any corner of your living space. Our quiet blowers increase the efficiency of your fireplace by pushing the heat produced by your fireplace forward and distributing it further and evenly into the room.



design choices

Glass Front Styles



Flush front



Bay front

Louvers



Gold



Brushed Steel



Black

Faceplate Finishes



Sunset Bronze



Iron Gray



Black

Full Screen Door Finishes



Black



Excalibur - Black

Inner Panels



Standard - Old Town Red



Standard - Rustic Brown



Black Enamel panels



Brushed Stainless Steel

Firebed Options



Cobalt blue crystals



Copper crystals



Starfire crystals



Black reflective crystals



Ceramic spa stones



Ceramic log set

Accent Pebbles



Natural river pebbles



Accessories - at a glance		HZ1540E	L540E	E33S	E33	HZ1390E	L390E	U32SE	U32	U32E	U31	E21	L234	HZ1234E
Flush Front		✓	✓	✓	✓	✓	✓	✓	✓	✓	✓	✓	✓	✓
Bay Glass Front		-	-	-	-	-	-	-	★	★	★	-	-	-
Sunrise™ fire / Horizon fire	Cobalt blue crystals	-	-	✓	-	-	-	✓	-	-	-	-	-	-
	Crystals- various colors	★	-	★	-	★	-	★	-	-	-	-	-	★
	Ceramic spa stones	★	-	★	-	★	-	★	-	-	-	-	-	★
Horizon look	Faceplates	Low profile (3 or 4 sided)	★	-	-	-	★	-	-	-	-	-	-	★
		Contemporary	-	-	-	-	-	-	-	-	-	-	-	★
		Contour	-	-	-	-	-	-	-	-	-	-	-	★
Classic look	Faceplates	Low profile (3 or 4 sided)	-	★	★	★	-	★	★	★	★	★	★	-
		Contemporary	-	-	★	★	-	-	★	★	★	-	-	★
		Contour	-	-	-	★	-	-	-	★	★	★	★	★
		Custom	-	-	★	★	-	-	★	★	★	★	★	-
	Louvers	Black	-	-	-	★	-	-	-	★	★	★	★	-
		Black/Brushed Steel	-	-	-	★	-	-	-	★	★	★	★	-
		Black/Gold	-	-	-	★	-	-	-	★	★	★	★	-
	Glass Trim Flush	Brushed Steel	-	-	-	-	-	-	★	★	-	-	-	-
Glass Trim Bay	Gold	-	-	-	-	-	-	★	★	★	-	-	-	
Excalibur Arch Surrounds	Surround	Black	-	-	-	★	-	-	-	-	-	★	-	
	Double screen doors	Black	-	-	-	★	-	-	-	-	-	★	-	
	Accent kit	Nickel	-	-	-	★	-	-	-	-	-	★	-	
Gold		-	-	-	★	-	-	-	-	-	★	-		
Full Screen Doors	Black	★	★	-	★	★	-	★	★	★	★	★	-	
Inner Panels	Bricks	Standard - Rustic Brown	-	★	-	★	-	★	-	★	★	★	★	★
		Standard - Old Town Red	-	★	-	★	-	★	-	★	★	★	★	★
	Reflective	Black enamel	★	★	★	-	★	★	★	-	-	-	-	★
		Stainless steel	-	-	★	-	-	-	★	-	-	-	-	-
Hearth Trim* (for sizes see page 22)		-	-	★	★	-	-	★	★	★	★	★	★	★
New Fireplace Kit (zero clearance kit)		-	-	-	-	-	-	-	-	-	★	★	-	-
Blower (with fan speed controller)		✓	✓	✓	✓	★	★	✓	✓	✓	✓	✓	✓	✓
Wall Thermostat		★	★	★	★	★	★	★	★	★	★	★	★	★
Remote Controls	FireGenie™	-	-	★	★	-	-	-	★	-	★	★	★	-
	Proflame GT	★	★	-	-	★	★	★	-	★	-	-	-	★
	Proflame GTM	★	★	-	-	✓	✓	★	-	★	-	-	-	★
	Proflame GTMF	✓	✓	-	-	✓	✓	-	-	-	-	-	-	-
Faceplate Mounted on/off Switch		✓	✓	✓	✓	✓	✓	✓	✓	✓	✓	✓	✓	✓
Direct Vent		✓	✓	✓	✓	✓	✓	✓	✓	✓	-	-	✓	✓
B-Vent		-	-	-	-	-	-	-	-	-	✓	✓	-	-
Surefire Electronic Ignition		✓	✓	-	-	✓	✓	✓	-	✓	-	-	-	✓
Propane conversion kit		★	★	★	★	★	★	★	★	★	★	★	★	★

- Not available
- ✓ Standard
- ★ Optional

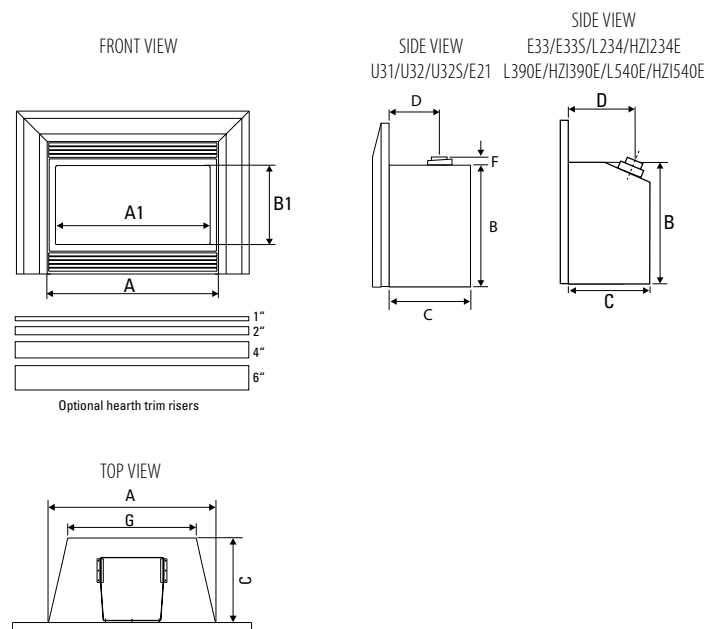
* Hearth trims are not available for low profile faceplates

specifications

Specifications		HZ1540E	L540E	E33	E33S	HZ1390E	L390E	U32SE	U32	U32E	U31	E21	L234	HZ1234E
Input (BTU)	Natural Gas	38,000	38,000	38,000	26,000	31,000	31,000	24,500	30,000	30,000	30,000	23,500	23,500	16,500
	Propane	38,000	38,000	35,500	23,000	31,000	31,000	20,500	30,000	27,000	27,500	22,500	21,500	15,000
Turn Down to (BTU)	Natural Gas	25,000	25,000	20,000	13,500	22,000	22,000	16,500	15,300	19,500	14,500	11,750	12,500	12,000
	Propane	30,000	30,000	19,000	12,000	26,000	26,000	17,000	15,000	22,000	13,700	11,250	11,000	12,000
EnerGuide Rating (Canada only)	Natural Gas	70.16%	73.72%	60.79%	55.50%	70.1%	71.9%	50.65%	57.17%	58.04%	52.9%	50.60%	63.3%	TBD
	Propane	70.11%	75.69%	61.52%	56.46%	70.1%	75.3%	48.79%	57.17%	58.24%	48.07%	53.48%	64.5%	TBD
Efficiency (steady state)	Natural Gas	84%	84%	83%	70%	84%	84%	67%	76%	76%	76%	77%	74%	74%
	Propane	84%	84%	84%	72%	84%	84%	70%	77%	77%	77%	78%	74%	74%

Dimensions	HZ1540E	L540E	E33	E33S	HZ1390E	L390E	U32SE	U32	U32E	U31	E21	L234	HZ1234E
A	33-11/16"	33-11/16"	32-1/4"	32-1/4"	29-5/8"	29-5/8"	28"	28"	28"	27-7/8"	26"	24-3/4"	24-3/4"
B	23-5/8"	23-5/8"	23-13/16"	23-13/16"	20"	20"	20"	20"	20"	20-1/4"	17-1/2"	16-7/8"	16-7/8"
A1	28-13/16"	28-13/16"	30-3/8"	27-7/8"	24-1/8"	24-1/8"	N/A	24-1/4"	24-1/4"	24-1/2"	24-1/2"	17-3/4"	17-3/4"
B1	18-15/16"	18-15/16"	14-7/8"	13-3/4"	14-3/4"	14-3/4"	N/A	11-3/8"	11-3/8"	12-5/8"	10-7/8"	12-1/2"	12-1/2"
C	16-3/4"	16-3/4"	16-1/2"	16-3/4"	15-1/2"	15-1/2"	13-3/4"	13-3/4"	13-3/4"	13-1/2"	13-1/4"	13"	12-1/4"
D	12"	12"	11-3/8"	11-3/8"	12-1/8"	12-1/8"	10-3/4"	10-3/4"	10-3/4"	11-3/4"	10-3/4"	11-3/4"	10-7/8"
F	-	-	-	-	-	-	1-1/16"	1-1/16"	1-1/16"	5/8"	1"	-	-
G	24-5/8"	24-5/8"	24-1/2"	24-1/2"	21-5/8"	21-5/8"	22-1/2"	22-1/2"	22-1/2"	22-1/2"	17-1/2"	14-3/4"	14-3/4"

Minimum Fireplace Openings		Width (front)	Width (rear)	Height	Depth
HZ1540E	low profile faceplate	34"	25"	24"	16-3/4"
	full screen doors	34"	25"	24"	16-3/4"
L540E	low profile faceplate	34"	25"	24"	16-3/4"
	full screen doors	34"	25"	24"	16-3/4"
E33	low profile faceplate	32-1/4"	25"	24-3/16"	16-3/4"
	contemporary faceplate	32-1/4"	25"	24-3/16"	16-3/4"
	contour faceplate	32-1/4"	25"	24-3/16"	16-3/4"
	full screen doors	32-1/4"	25"	24-3/16"	16-3/4"
	Excalibur surround	34-1/2"	25"	26"	17-3/4"
E33S	low profile faceplate	32-1/4"	25"	24-3/16"	16-3/4"
	contemporary faceplate	32-1/4"	25"	24-3/16"	16-3/4"
HZ1390E	low profile faceplate	30"	22"	20"	15-1/2"
	full screen doors	30"	22"	20"	15-1/2"
L390E	low profile faceplate	30"	22"	20"	15-1/2"
	full screen doors	30"	22"	20"	15-1/2"
U32SE	low profile faceplate	26-1/2"	22-1/2"	22"	14"
	contemporary faceplate	26-1/2"	22-1/2"	22"	14"
U32/U32E	low profile faceplate	26-1/2"	22-1/2"	22"	14"
	contemporary faceplate	26-1/2"	22-1/2"	22"	14"
	contour faceplate	26-1/2"	22-1/2"	22"	14"
	molded faceplate	29"	22-1/2"	22"	15"
	full screen doors	26-1/2"	22-1/2"	22"	14"
U31	contour faceplate	26-1/2"	22-1/2"	21"	15"
	molded faceplate	29"	22-1/2"	21"	16"
	full screen doors	26-1/2"	22-1/2"	21"	15"
	Excalibur surround	29"	22-1/2"	21"	16"
	full screen doors	26-1/2"	22-1/2"	21"	15"
E21	contour faceplate	26-1/2"	18"	17-3/4"	14"
	molded faceplate	29-1/8"	18"	18-5/8"	15"
	full screen doors	26-1/2"	18"	17-3/4"	14"
L234	contemporary faceplate	25"	16"	17"	14"
	contour faceplate	25"	16"	17"	14"
HZ1234E	contemporary faceplate	25"	16"	17"	14"
	contour faceplate	25"	16"	17"	14"
	low profile faceplate	25"	16"	17"	14"

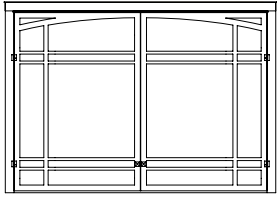


The Regency Gas Inserts are listed as: Vented Gas Fireplace Heater and Certified for: CANADA and USA
The Regency Gas Inserts are tested & approved by Intertek Warnock Hersey to the following standards:

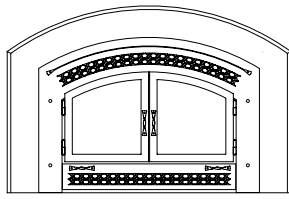
MODEL	ANSI	CSA	CAN/CGA	Approval #:	Approved for:
L540E	Z21.88-2009	2.33-2009	2.17-M91(R2009)	4001172	Bedroom, Alcove & Mobile Homes
HZ1540E	Z21.88-2009	2.33-2009	2.17-M91(R2009)	4001172	Bedroom, Alcove & Mobile Homes
L390E	Z21.88-2009	2.33-2009	2.17-M91(R2009)	4001172	Bedroom, Alcove & Mobile Homes
HZ1390E	Z21.88-2009	2.33-2009	2.17-M91(R2009)	4001172	Bedroom, Alcove & Mobile Homes
HZ1234E	Z21.88-2009	2.33-2009	2.17-M91(R2009)	4001172	Bedroom, Alcove & Mobile Homes
E33-1	Z21.88a-2007	2.33a-2007	2.17-M91	16352	Bedroom, Alcove & Mobile Homes
E33S-1	Z21.88-2009	2.33-2009	2.17-M91	16042	Bedroom, Alcove & Mobile Homes
U32S-5	Z21.88a-2007	2.33a-2007	2.17-M91	16116	Bedroom, Alcove & Mobile Homes
U32SE-5	Z21.88-2009	2.33-2009	2.17-M91	16516	Bedroom, Alcove & Mobile Homes
U32-5	Z21.88a-2009	2.33a-2009	2.17-M91	16117	Bedroom, Alcove & Mobile Homes
U32E	Z21.88-2009	2.33-2009	2.17-M91	16513	Bedroom, Alcove & Mobile Homes
U31-2	Z21.88a-2007	2.33s-2007	2.17-M91	15948	Bedroom & Alcove
E21-3	Z21.88a-2007	2.33a-2007	2.17-M91	16353	Bedroom & Alcove
L234	Z21.88-2005	2.33-2005	2.17-M91	3118729C0Q-002	Bedroom, Alcove & Mobile Homes



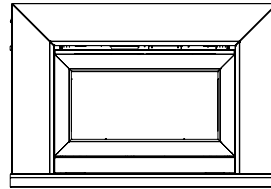
Full Screen Doors



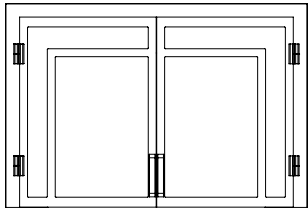
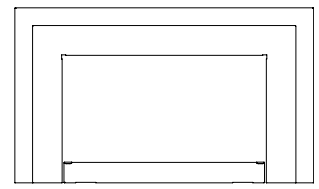
Excalibur Surround



Contemporary faceplate

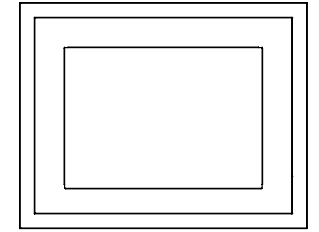


Low profile faceplate



Full Screen Doors

(L390E/HZI390E/L540E/HZI540E)



Low profile faceplate (4-sided)

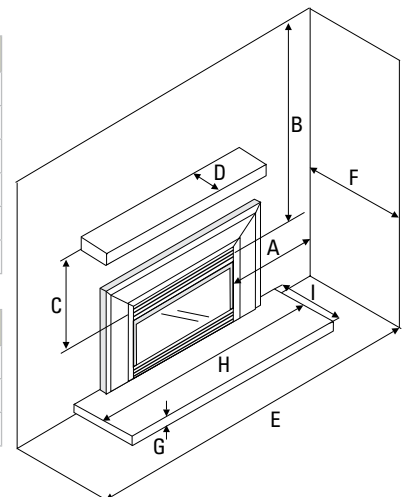
Faceplates	HZI540E/L540E		E33S		E33		HZI390E/L390E		U32SE		U32/U32E		U31		E21		L234/HZI234E	
	Width	Height	Width	Height	Width	Height	Width	Height	Width	Height	Width	Height	Width	Height	Width	Height	Width	Height
Low profile (3-sided)	45-1/2"	30-1/4"	46-1/2"	28-3/4"	46-1/2"	28-3/4"	39-15/16"	25-13/16"	40-3/4"	23-7/8"	40-3/4"	23-7/8"	40-3/4"	23-7/8"	43"	24"	32-7/8"	22-7/8"
Low profile (3-sided without backing plate)	39-3/4"	27-3/8"	42-1/2"	26-3/4"	42-1/2"	26-3/4"	35-13/16"	23-13/16"	36"	21-1/2"	36"	21-1/2"	36"	22"	40"	20"	29-1/8"	21"
Low profile (4-sided without backing plate)	39-3/4"	30-7/8"	42-1/2"	32-1/2"	42-1/2"	32-1/2"	35-13/16"	27-5/16"	36"	26"	36"	26"	36"	26"	36-1/4"	24-1/4"	29-1/8"	26-1/2"
Low profile (4-sided) backing plate	custom order only																	
Contemporary	--	--	47-1/2"	30-5/8"	47-1/2"	30-5/8"	--	--	40-13/16"	26-1/4"	40-13/16"	26-1/4"	--	--	--	--	27-3/4"	21"
Contour Standard	--	--	--	--	45-9/16"	31-1/8"	--	--	--	--	40-1/8"	26-1/8"	40-1/8"	26-1/8"	40-1/8"	23-3/4"	27-1/2"	20-3/4"
Contour Oversize	--	--	--	--	49-9/16"	33-1/8"	--	--	--	--	44-1/8"	28-1/8"	44-1/8"	28-1/8"	44-1/8"	25-3/4"	--	--
Custom Flat	--	--	see product order form for details				--	--	--	--	48"	34"	48"	34"	48"	32"	--	--
Hearth Trim - sizes	1" 2" 4" 6" for contour faceplate 2", 4" for contemporary faceplate up to 9" for L234 contemporary or contour Hearth trims are not available for low profile faceplates, use custom backing plate instead.																	
Excalibur surround	--	--	--	--	45-9/16"	33-1/4"	--	--	--	--	--	--	40-1/8"	27-7/8"	--	--	--	--
Full screen doors*	45-1/2"	30-1/4"	--	--	47-3/8"	33-3/16"	38-1/8"	25-3/4"	--	--	41-5/8"	29-1/4"	41-5/8"	29-1/4"	41-9/16"	29-1/4"	--	--

* depth = 2"

Minimum Clearance to Combustibles	HZI540E	L540E	E33	E33S	HZI390E	L390E	U32SE	U31/32/32E	E21	L234	HZI234E
A Side Wall	12"	12"	8"	8"	6"	6"	10"	10"	9"	8"	8"
B Ceiling	60"	60"	47"	47"	60"	60"	47-1/2"	47-1/2"	36"	56"	56"
C Mantel Height (min.)	24"	24"	15"	15"	24"	24"	13"	13"	14"	21"	15-1/2"
D Mantel Depth (min.)	0-12"	0-12"	3-1/2"	3-1/2"	0-12"	0-12"	3-1/2"	3-1/2"	3-1/2"	1"	12"
E Alcove Width	56"	56"	76"	76"	54"	54"	48"	48"	48"	60"	60"
F Max. Alcove Depth	36"	36"	36"	36"	24"	24"	36"	36"	36"	36"	36"

Non-Combustible Hearth Requirement												
G	Hearth Height	0"	0"	1-1/4"	0"	0"	0"	0"	0"	0"	1-1/2"	0"
H	Hearth Width	44"	44"	45-1/2"	0"	40"	40"	0"	0"	0"	28"	0"
I	Hearth Depth	14"	14"	13"	0"	14"	14"	0"	0"	0"	12"	0"

Note: Before installing please refer to the product manual.



NOTE: All product specifications are subject to change without notice. Before installing refer to the relevant product manual for full and up to date information.



design your own fireplace

Your Regency® matches your home and lifestyle perfectly. How do we know that? Because you designed it yourself!

Visit www.regency-fire.com today and surf through our selection of products and accessories to design your own fireplace. The endless options are just a click away! Change the style until you have your perfect fireplace... then ask your friends and family for their opinion!

Click on Fireplace Design Centre at www.regency-fire.com and then visit your authorized local dealer to design your own fireplace.

fireplace selection worksheet

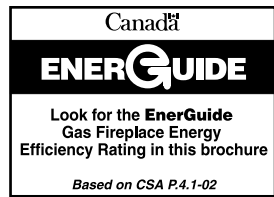
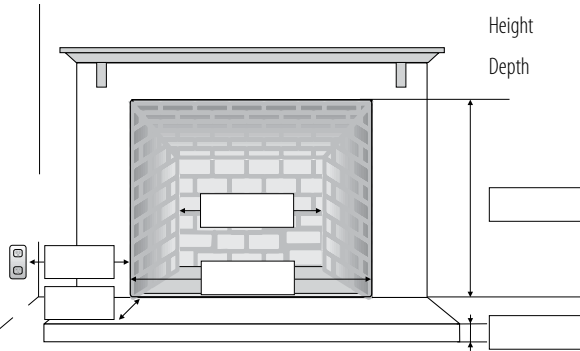
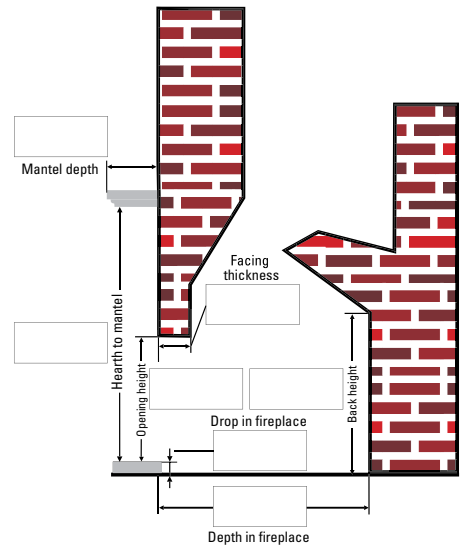
We want you to enjoy your beautiful Regency fireplace for years to come. To help you figure out which product is just right for your home, fill in the following worksheet. Once complete, visit your nearest Regency dealer. Your professional Regency dealer will assess your needs - including local building codes - and install your Regency.

1. BASIC PRODUCT FUNCTION QUESTIONS

- a. I would like my inbuilt to provide me with: Supplemental heating Priority heating
- b. The room/rooms I would like to heat are: _____ Square feet
- c. My fuel source will be: Natural gas Propane
- Has gas been piped to the proposed fireplace area? Yes No

2. FIREPLACE PRODUCT TYPE AND MEASUREMENTS

- a. I am: Installing a new fireplace Installing into an existing fireplace
- b. Fill in the following measurements:
- Ceiling Height: _____
- Location in the room: _____
- c. What is the:
- Flooring material: _____
- Wall material: _____
- Ceiling material: _____
- d. Fireplace opening dimensions
- Width (front) _____
- Width (back) _____
- Height _____
- Depth _____



www.regency-fire.com
your regency dealer