

**Work In Shirt-Sleeve  
Comfort When It's  
Doggone Cold**



**Bring Heat  
To Your Pet  
Projects**



Low-Profile, Gas-Fired  
Residential Garage Heaters.



## Hot Dawg® – Chasing Away The Cold In Any Space, New Or Old

Set the thermostat and  
get set for comfort.



Installs quickly and easily (only  
1" from the ceiling) in any  
garage or out building.

Pamper your pride  
and joy in warmth  
and comfort.

It's no problem  
to race from cold  
to comfort.

Handle winter  
woodworking with  
warm hands.

Year-round growing  
without going through a  
lot of greenbacks.

Loading or unloading is  
easier when it's  
always warm.



# Hot Dawg® – Leading The Pack In Compact Unit-Heater Versatility, Performance And Value



## Hot Dawg® Model HD power-exhausted, gas-fired unit heater

- Hush-puppy quiet operation.
- Uses natural or propane gas.
- Certified for residential, commercial and industrial use.
- Low-profile design and neutral color to blend in with decor.
- Lightweight, easily installs 1" from ceiling with only 2 angle brackets (included).
- Install quickly and easily with field wiring connections and knockouts for quick access to gas and electricity.
- Standard power exhaust simplifies side-wall or roof venting with small-diameter vent pipe.
- Versatile design allows for right or left hand controls and installation. Gas, electrical and flue connections can be changed from one side to the other by simply flipping the Hot Dawg over.
- Permanently-lubricated motor for trouble-free dependability.
- Full 10-year warranty on heat exchanger.
- Also available with a blower. Contact Modine for further information.

## Hot Dawg® Model HDS separated-combustion, gas-fired unit heater

The separated combustion Hot Dawg draws its combustion air from outside the work space, ensuring the unit always has plenty of fresh, clean air to breathe. This fresh-air supply reduces common concerns about dusty, dirty or humid applications. Additionally, drawing combustion air from the outside increases overall heating efficiency.

In short, a separated combustion Hot Dawg unit gives you many added advantages, including:

- Less maintenance in dusty environments,
- Improved efficiency by using outside air for combustion,
- Greater durability in "hostile" environments (environments possessing substances that may deteriorate the performance of the unit),
- External thermostat and gas connections.



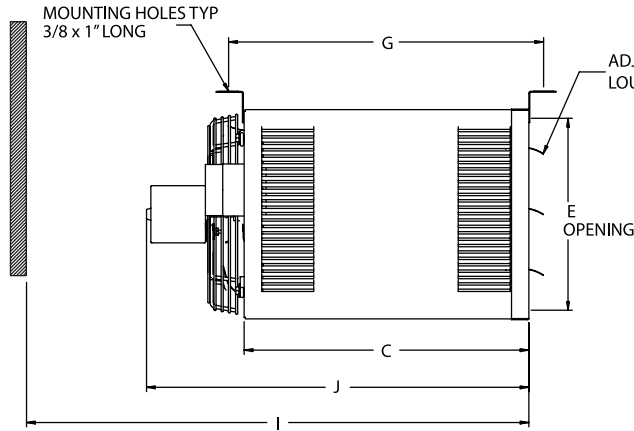
## For The Heat You Need, Just Unleash A Hot Dawg!

Unit	Btu/Hr Input	Typical Application
HD/HDS 30	30,000	1 to 1-1/2 Car Garage
HD/HDS 45	45,000	2 to 2-1/2 Car Garage
HD/HDS 60	60,000	3 to 3-1/2 Car Garage
HD/HDS 75,100,125	75,000-125,000	Large Garage

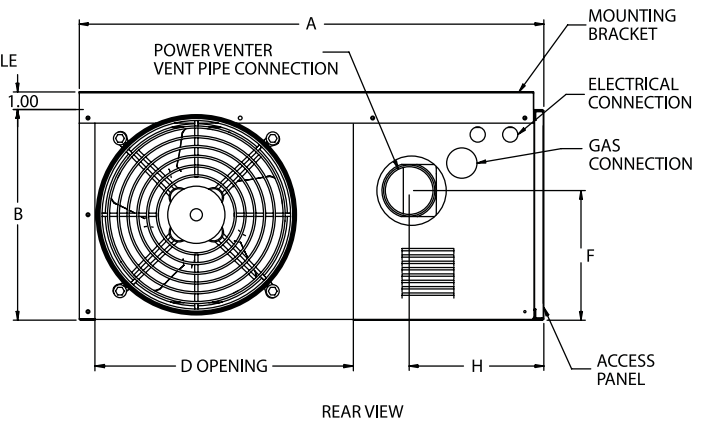
Sizing data for sample only. Consult a qualified installer for the actual requirements for your building.



# Power-Exhausted, Gas-Fired Unit Heater Specifications



ACCESS VIEW



REAR VIEW

## Performance

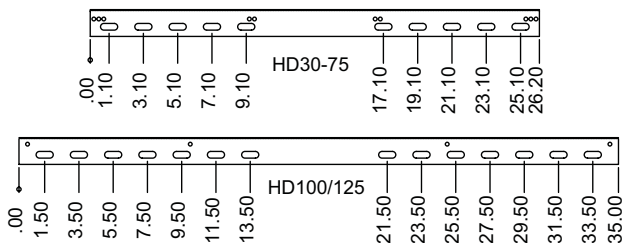
Models	HD30	HD45	HD60	HD75	HD100	HD125	
Btu/Hr Input	30,000	45,000	60,000	75,000	100,000	125,000	
Btu/Hr Output	24,000	36,000	48,000	60,000	80,000	100,000	
Entering Airflow (CFM)	505	720	990	1,160	1,490	1,980	
Outlet Velocity	523	749	653	769	565	747	
Air Temp. Rise (°F)	44	46	45	48	50	47	
Mounting Height (Max ft.)	10	10	12	14	12	16	
Heat Throw (ft.)	25	27	36	38	42	56	
Motor Data	Horsepower	1/15	1/15	1/12	1/12	1/12	1/8
	RPM	1,550	1,550	1,625	1,625	1,050	1,550
	Type	S.P.	S.P.	P.S.C.	P.S.C.	S.P.	P.S.C.
	Amps	2.4	2.4	1.2	1.2	2.7	2.2
Unit Total Amps	3.7	3.7	2.5	2.5	4.7	4.2	
Vent Connector Size (in.)	3	3	3	3	4	4	

## Dimensions (inches)

Models	HD30	HD45	HD60	HD75	HD100/125
A	26.8	26.8	26.8	26.8	35.5
B	12.2	12.2	18.0	18.0	20.5
C	16.5	16.5	16.5	16.5	22.0
D	14.9	14.9	14.9	14.9	22.5
E	10.1	10.1	15.9	15.9	18.4
F	7.5	7.5	10.7	10.7	14.0
G	18.5	18.5	18.5	18.5	24.0
H	7.6	7.6	7.8	7.8	8.4
Gas Connection	1/2	1/2	1/2	1/2	1/2
I	34.5	34.5	34.5	34.5	43.0
J	22	22	25	25	31.0
Fan Diameter	10	10	14	14	18.0
Approx. Shipping Weight (lbs.)	55	60	80	85	125

## Mounting

1" - angle, mounting brackets are slotted to accommodate joists on 16" or 24" centerlines.



## Clearances

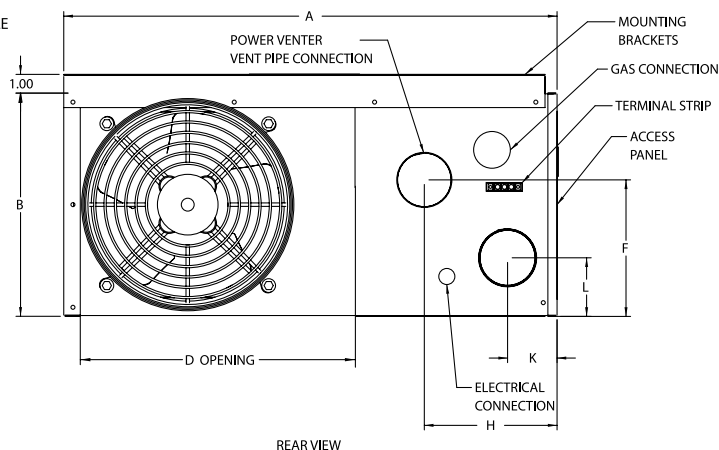
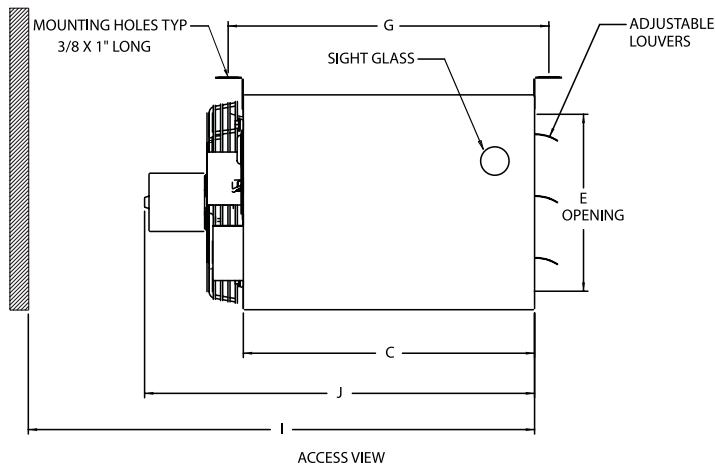
Unit Side	Clearance To Combustible Materials	Recommended Service Clearance
Top and Bottom	1"	1"
Access Side	18"	18"
Non-Access Side	1"	1"
Rear	18"	18"
Vent Connector	4"	4"

## Control Options

Control Description	Control Code No.	Service Voltage	Thermostat Voltage	Type of Gas	Model Size
<b>Single-Stage, Direct Spark Ignition, 100% Shut-Off with Continuous Retry</b> - Utilizes a single-stage combination gas control with ignition control. Gas is lit with a direct spark igniter on call for heat.	11	115V	24V	natural	30-125
	21	115V	24V	propane	30-125
<b>Two-Stage, Direct Spark Ignition, 100% Shut-Off with Continuous Retry</b> - Utilizes a two-stage combination gas control with built-in ignition control. Firing rate is 100% and 50% of full rated input. Gas is lit with a direct spark igniter on call for heat. <sup>3</sup>	12	115V	24V	natural	75-125
	22	115V	24V	propane	75-125



# Separated-Combustion, Gas-Fired Unit Heater Specifications



## Performance

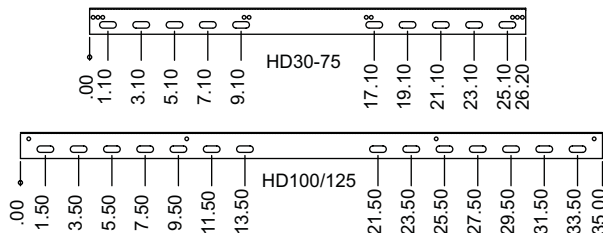
Models	HDS30	HDS45	HDS60	HDS75	HDS100	HDS125	
Btu/Hr Input	30,000	45,000	60,000	75,000	100,000	125,000	
Btu/Hr Output	24,000	36,000	48,000	60,000	80,000	100,000	
Entering Airflow (CFM)	505	720	990	1,160	1,490	1,980	
Outlet Velocity	523	749	653	769	565	747	
Air Temp. Rise (°F)	44	46	45	48	50	47	
Mounting Height (Max ft.)	10	10	12	14	12	16	
Heat Throw (ft.)	25	27	36	38	42	56	
Motor Data	Horsepower	1/15	1/15	1/12	1/12	1/12	1/8
	RPM	1,550	1,550	1,625	1,625	1,050	1,550
	Type	S.P.	S.P.	P.S.C.	P.S.C.	S.P.	P.S.C.
	Amps	2.4	2.4	1.2	1.2	2.7	2.2
Unit Total Amps	3.7	3.7	2.5	2.5	4.7	4.2	
Vent Connector Size (in.)	3	3	4	4	4	4	

## Dimensions (inches)

Models	HDS30	HDS45	HDS60	HDS75	HDS100/125
A	26.8	26.8	26.8	26.8	35.5
B	12.2	12.2	18.0	18.0	20.5
C	16.5	16.5	16.5	16.5	22.0
D	14.9	14.9	14.9	14.9	22.5
E	10.1	10.1	15.9	15.9	18.4
F	7.25	7.25	10.75	10.75	14.0
G	18.5	18.5	18.5	18.5	24.0
H	7.6	7.6	7.835	7.835	8.4
Gas Connection	1/2	1/2	1/2	1/2	1/2
I	34.5	34.5	34.5	34.5	43.0
J	22	22	25	25	31.0
K	2.74	2.74	3.15	3.15	3.87
L	3.19	3.19	5.55	5.55	10.73
Fan Diameter	10	10	14	14	18.0
Approx. Shipping Weight (lbs.)	55	60	80	85	125

## Mounting

1" - angle, mounting brackets are slotted to accommodate joists on 16" or 24" centerlines.

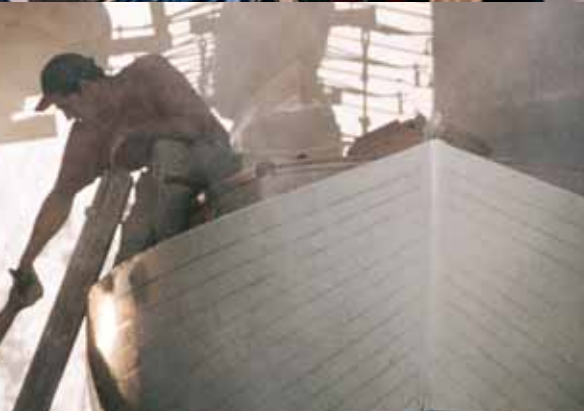


## Clearances

Unit Side	Clearance To Combustible Materials	Recommended Service Clearance
Top and Bottom	1"	1"
Access Side	1"	18"
Non-Access Side	1"	1"
Rear	18"	18"
Vent Connector	4"	4"

## Control Options

Control Description	Control Code No.	Service Voltage	Thermostat Voltage	Type of Gas	Model Size
<b>Single-Stage, Direct Spark Ignition, 100% Shut-Off with Continuous Retry</b> - Utilizes a single-stage combination gas control with ignition control. Gas is lit with a direct spark igniter on call for heat.	11	115V	24V	natural	30-125
	21	115V	24V	propane	30-125
<b>Two-Stage, Direct Spark Ignition, 100% Shut-Off with Continuous Retry</b> - Utilizes a two-stage combination gas control with built-in ignition control. Firing rate is 100% and 50% of full rated input. Gas is lit with a direct spark igniter on call for heat. <sup>3</sup>	12	115V	24V	natural	75-125
	22	115V	24V	propane	75-125



You don't have to go far to find a Hot Dawg. For the location of your nearest Hot Dawg source, fetch your phone and call:

**800-700-7324**

or visit us online at [www.modine.com/hotdawg](http://www.modine.com/hotdawg)



## Low-Profile, Gas-Fired Residential Garage Heaters

### Commercial Products Group

Modine Manufacturing Company

1500 DeKoven Avenue

Racine, WI 53403-2552

Phone: 1.800.828.4328 (HEAT)

Fax: 262.636.1665

[www.modine.com/hotdawg](http://www.modine.com/hotdawg)



© Modine Manufacturing Company, 2007  
Hot Dawg® and the Hot Dawg logo are registered trademarks of Modine Manufacturing Company. 6-114.4

