



**Model MHU45**  
**45,000 BTU/HR Heater For:**

- 2 And 3 Car Garages
- Workshops
- Metal Buildings
- Warehouses
- Agricultural Buildings
- Storage Buildings

**Approved For Residential & Commercial Use.**

# EFFICIENT AND EFFECTIVE CONVECTION HEAT.

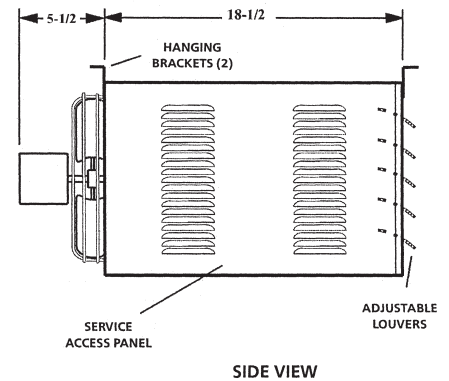
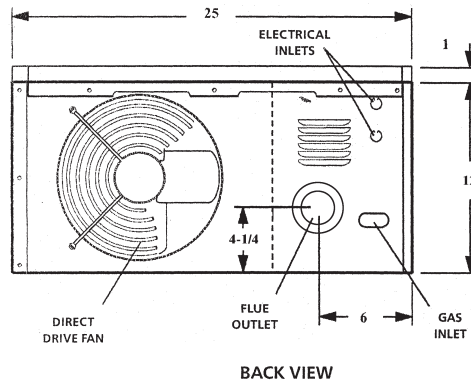
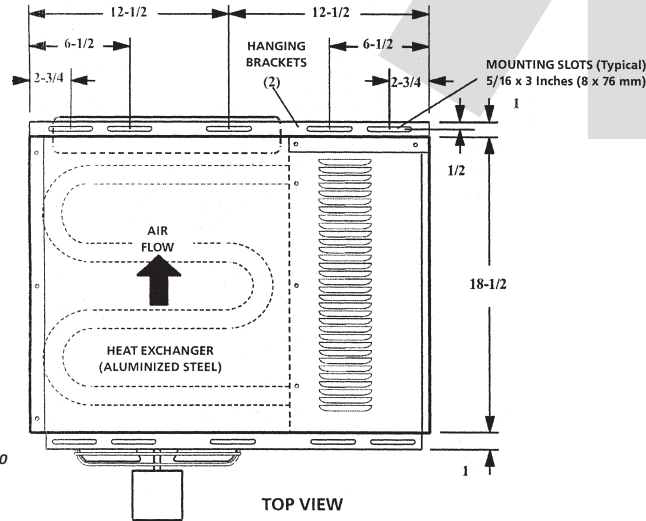
- Quiet Operation
- Easily Heats 2 And 3 Car Garages

## Easy Installation & Operating Versatility

- Requires Only 1" Clearance From Ceiling With 2 Angle Brackets
- Low Profile Design (Cabinet Size: 12" x 18" x 25")
- Power Exhaust Allows For Vertical Or Horizontal Venting
- Designed For Right And Left Side Piping, Electrical And Flue Connections By Simply Rotating 180°

## Built-In Reliability

- Aluminized Tubular Heat Exchanger For Maximum Efficiency And Longer Life
- Spark Ignition – Features Self-Diagnostic Control Module
- 3-Year Warranty On Parts And Burner
- 10-Year Warranty On Heat Exchanger



TECHNICAL DATA		MHU45NG	MHU45LP
Stock Number		F260045	F260145
Total Input (BTU/HR)*		45,000	45,000
Total Output (BTU/HR)		36,450	36,450
Air Volume (CFM)		750	750
Temperature Rise		45	45
Air Throw At 8 Feet Mounting Height (FT)		25	25
Max. Mounting Height (FT to bottom of unit)		10	10
FAN DATA	Number Of Fans	1	1
	Diameter	10	10
	Number Of Blades	4	4
	Shipping Weight (LBS)	63	63
FAN MOTOR DATA	Net Weight (LBS)	56	56
	Horsepower	1/20	1/20
	Amps @ 115V/1PH/60Hz	1.7	1.7
	RPM	1650	1650
	Motor Type	SP	SP
	Flue Size**	3"	3"
Gas Connection		1/2"	1/2"
Total Unit Amps		3.0	3.0

## VENTING SPECIFICATIONS

If vented vertically 3" vent pipe must be used. (Optional vent kit: F102840)  
 If vented horizontally 4" vent pipe must be used. (Optional vent kit: F102845)

## MOUNTING CLEARANCES

Location	Clearance
Top	1"
Bottom	0"
Access Panel Side	18"
Non-Access Side	1"
Rear	18"
Flue	6"

\* Ratings shown are for elevations up to 2,000 feet. For elevations above 2,000 feet, ratings should be reduced at the rate of 4% for each 1,000 feet above sea level  
 \*\* Diameter of round pipe-adaptor furnished with heater.  
 NOTE: All dimensions shown in inches.

