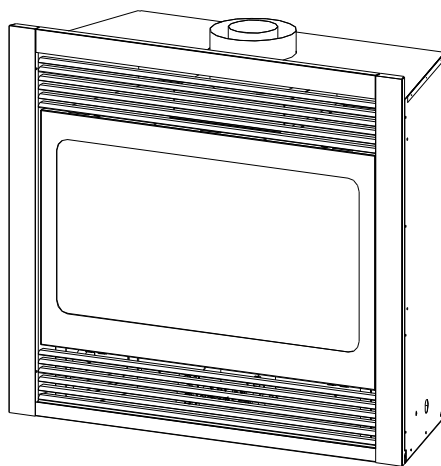




INSTALLATION & OPERATING MANUAL

MODEL:
SP-36: SLIM PROFILE 36"
DIRECT VENT GAS FIREPLACE

US Patent Number 5,931,154
US Patent Number 6,004,493



IMPORTANT:
READ INSTRUCTIONS CAREFULLY BEFORE
INSTALLATION. FAILURE TO INSTALL THIS FIREPLACE
CORRECTLY CAN CAUSE SERIOUS STRUCTURAL AND
FIRE HAZARDS AND MAY VOID YOUR WARRANTY.



INDEX

DESCRIPTION	PAGE
SAFETY REQUIREMENTS / SPECIFICATIONS	2-3
MINIMUM CLEARANCES	3
VENTING REQUIREMENTS	3-8
Restrictor Installation	4
Minimum Venting	5
Horizontal Venting	5-7
Vertical Venting	8
POSITION THE FIREPLACE	9-10
Rough-in Chimney Vent Dimensions	10
Rough-in Dimensions	10
REMOVE THE GLASS ASSEMBLY	11
DIRECT VENT KIT INSTALLATION	11-12
FAN INSTALLATION	13-14
GAS LINE SPECIFICATIONS	15-16
SECURE THE MILLIVOLT BOARD	16
LOG INSTALLATION	17
WALL SWITCH - THERMOSTAT - REMOTE CONTROL INSTALLATION	18
COMPLETE THE INSTALLATION	19-20
LIGHTING & SHUTDOWN	21-22
MANIFOLD & INCOMING PRESSURE CHECK PROCEDURES	23
CLEANING & MAINTENANCE REQUIREMENTS	24
MILLIVOLT BOARD REMOVAL / INSTALLATION	25-26
TROUBLE SHOOTING	27-28
REPLACEMENT PARTS LISTS	29
WARRANTY POLICY	30-31

IMPORTANT:

READ THIS MANUAL BEFORE INSTALLING AND USING THIS FIREPLACE

MODEL SP-36 DV GAS FIREPLACE HEATER INSTALLATION INSTRUCTIONS

This appliance has been tested to and complies with ANSI Z21.88-2002●CSA 2.33-M02, "VENTED GAS FIREPLACE HEATER". Installation must conform with local building codes, or, in the absence of local building codes, with the national fuel gas code, ANSI Z223.1 NFPA 54, Current Edition, or the Manufactured Home Construction and Safety Standard, Title 24 CFR, Part 3280.

This appliance may be installed in an aftermarket permanently located, manufactured (mobile) home, where not prohibited by local codes. This appliance is only for use with the type(s) of gas indicated on the rating plate. This appliance is not convertible for use with other gases, unless a certified kit is used. An LP Gas conversion kit is included with this fireplace.

Installation and/or repair of this fireplace should only be done by a qualified installer.

COMMONWEALTH OF MASSACHUSETTS INSTALLATIONS

WARNING: This Product Must Be Installed By a Licensed Plumber Or Gas Fitter When Installed Within The Commonwealth of Massachusetts.

IMPORTANT: Installation of a CO detector is required in the fireplace room.

FOR YOUR SAFETY:

WHAT TO DO IF YOU SMELL GAS:

- ! Do not touch any electrical switches.
- ! Do not try to light any appliance.
- ! Do not use the phone in your building.
- ! Immediately call your gas supplier from a neighbor's phone.
- ! Follow the gas suppliers instructions.
- ! If you cannot reach your gas supplier, call the fire department.
- ! Do not store or use gasoline or other flammable vapors and liquids in the vicinity of this or any other appliance.

WARNING

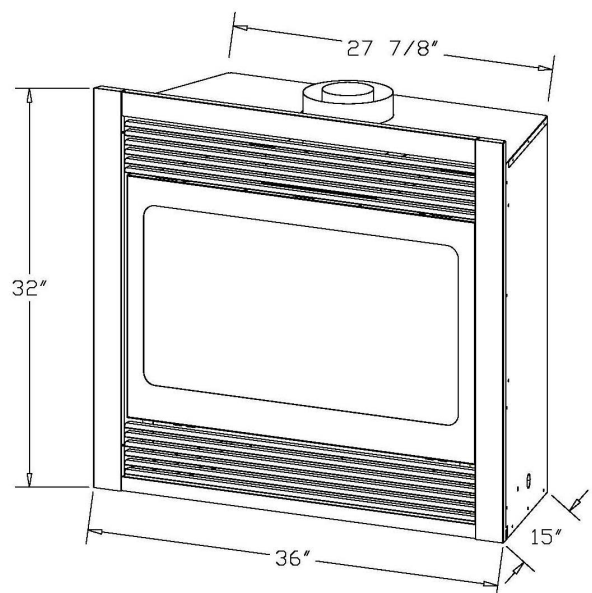
Improper installation, adjustment, alteration, service or maintenance can cause injury or property damage. Refer to this manual. For assistance or additional information consult a qualified installer, service agency, or the gas supplier.

WARNING: Do not use this heater if any part has been under water. Immediately call a qualified service technician to inspect the appliance and to replace any part of the control system and any gas control which has been under water.

WARNING: If the information in this manual is not followed exactly, a fire or explosion may result causing property damage, personal injury or loss of life.

UNIT SPECIFICATIONS -

Height :	32"
Front width:	36"
Back width:	27 7/8"
Depth:	15"
Flue size:	4" exhaust, 7" intake



WARNING: DO NOT REPLACE THE BURNER ASSEMBLY WITH ANY OTHER SIZED BURNER. REPLACEMENT WITH AN UNAUTHORIZED BURNER CAN RESULT IN TEMPERATURES EXCEEDING THE LIMITS FOR THIS FIREPLACE, AND VOID YOUR WARRANTY.

IMPORTANT: NON-COMBUSTIBLE FACING MATERIAL MAY BE APPLIED OVER THE FACE - DO NOT PLACE COMBUSTIBLE MATERIAL OVER THE FACE OF THE FIREPLACE. TO PREVENT THE FACING MATERIAL FROM CRACKING AND FALLING OFF DUE TO EXPANSION OF THE FACE WHEN HEATED, DO NOT ATTACH FACING MATERIAL DIRECTLY TO THE FACE OF THE FIREPLACE. DO NOT OBSTRUCT THE FLOW OF VENTILATION AIR.

MANTEL CLEARANCE FOR ALL KOZY HEAT GAS FIREPLACES

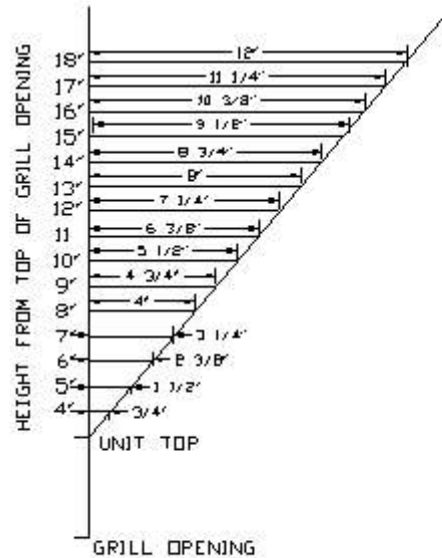
CLEARANCES

Minimum clearance to combustibles:

- From fireplace sides & back: 0"
- From fireplace top stand-off: 0"
- To flooring: 0"
- From flue vent: 1"
- From fireplace glazing to adjacent sidewall: 8"
- From heat outlet to mantel: 12"

MANTEL DEPTH

Mantel Projection



VENTING REQUIREMENTS

APPROVED DIRECT VENT CHIMNEY SYSTEMS:

- #745 DIRECT VENT TERMINATION KIT - for terminations 4' or less.

- #718 DIRECT VENT TERMINATION KIT - for terminations greater than 4' but less than 8'.

-#746 DIRECT VENT EXTENSION KIT - used in conjunction with #745 or #718. The extension kit is expandable to 6'.

The above direct vent kits are typically used for horizontal venting applications.

Refer to pages #5-#7 for venting requirements and page #12 for complete installation instructions on the above kits.

- SIMPSON DURA-VENT DV-GS CHIMNEY SYSTEM*:

Size: 4" x 6 5/8".

For horizontal & vertical terminations.

- AMERI-VENT DIRECT VENT CHIMNEY SYSTEM*:

Size: 4" X 6 5/8".

For horizontal & vertical terminations.

*Adaptor #923-C is required to adapt the fireplace exhaust and intake collars to the Dura-Vent and Ameri-Vent chimney systems.

Refer to pages #5-#8 and page #11 for complete venting requirements.

Follow installation instructions included with the #923-C adaptor & installation instructions provided with the chimney system you are using.

RESTRIC

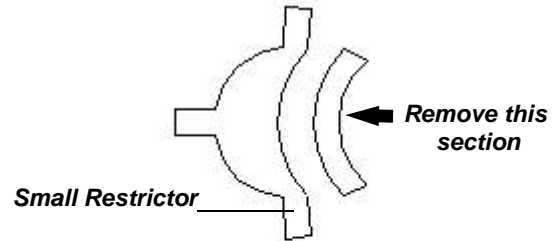
The restrictor plate included in the fireplace components packet can be installed as either a large or small restrictor, depending on your specific venting configuration.

There are several factors which can affect proper draft of the vent system and the burner operation of a fireplace. Installing a restrictor may be necessary to resolve the problem, even though it may not be required under 'normal conditions'.

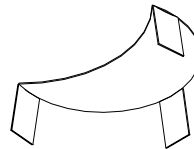
IMPORTANT: DO NOT INSTALL IF THE VENTING CONFIGURATION IS AT THE MINIMUM REQUIREMENTS!

The restrictor included is sized as the 'large' restrictor. To reduce the size to the small restrictor, simply bend the section without the tabs off at the perforation and discard.

Large Restrictor

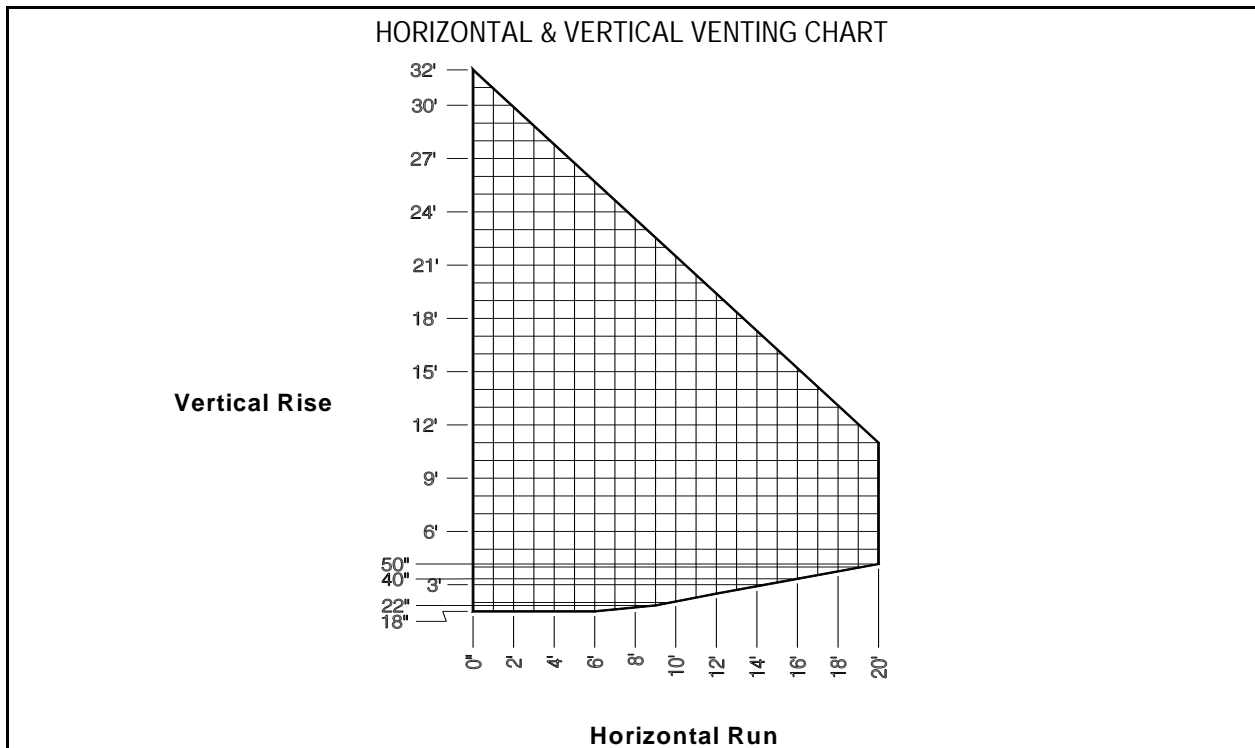


To install the restrictor, bend the tabs 'up' far enough (approximately 80-degrees) so that when positioned into the exhaust pipe, will create tension to hold itself in place. Do not over bend the tabs! Slide the restrictor into the exhaust pipe with the tabs pointing toward you. Access to the exhaust pipe can be gained by removing the nuts securing the exhaust baffle inside the firebox at the top.



Install with the tabs pointing *toward* you.

IMPORTANT: REPLACE THE EXHAUST BAFFLE AFTER RESTRICTOR INSTALLATION IS COMPLETE. DO NOT OVER TIGHTEN THE NUTS!



HORIZONTAL VENTING REQUIREMENTS

The following are minimum venting configurations which may be used for direct thru-the-wall installations. This generally will be determined by how the fireplace will be finished on the interior.

1. SIMPSON DURA-VENT PIPE ONLY MAY BE USED ON THE FOLLOWING CONFIGURATION:
 #923-C adaptor, followed by a 90° elbow, then a minimum horizontal vent run of 6". A snorkel kit must then be used on the outside of the house to ensure proper draft and compliance to the venting requirements as tested. The maximum horizontal run for this configuration is 2' 6". See Figure 2A on page #7.

2. SIMPSON DURA-VENT OR AMERI-VENT PIPE MAY BE USED ON THE FOLLOWING CONFIGURATIONS:
 - A. #923-C adaptor, followed by a 90° elbow, then a minimum/maximum horizontal vent run of 6". This is the only accepted configuration that can be used without a snorkel kit. The vertical and horizontal runs cannot be increased. Refer to Figure 2B, page #7.

 - B. MINIMUM VERTICAL RISE*: 17" (TO TOP OF INTAKE PIPE) - this is equivalent to (1) 6" chimney section followed by (1) 90° elbow. See Figure 2C, page #7. NOTE: #923-C adaptor must be used.

MINIMUM HORIZONTAL RUN: 6 IN.
 *MAXIMUM HORIZONTAL RUN: 6 FT. (Horizontal runs must maintain 1/4" rise per ft.)

TOTAL HORIZONTAL & VERTICAL RUN MUST NOT EXCEED 32 FT.

3. KOZY HEAT #700 SERIES FLEXIBLE DIRECT VENT CHIMNEY SYSTEM:

Refer to Figure 2D, page #7.

MINIMUM VERTICAL RISE*: 18" (TO TOP OF INTAKE PIPE)
 MINIMUM HORIZONTAL RUN: 6 IN.
 *MAXIMUM HORIZONTAL RUN: 6 FT. (Horizontal runs must maintain 1/4" rise per ft.)

*Determined by the length of horizontal run. Using the chart above, find the minimum vertical rise required directly off the top of the fireplace for the length of horizontal you need. A 50" vertical rise will allow a 20 ft. horizontal run (w/ 1/4" rise per ft. incline) with no elbows.

- For each additional elbow used after the first elbow, you must subtract 5 ft. from the maximum horizontal run allowed. A maximum of 2 elbows are allowed.

For example: A vertical rise of 18" directly off the top of the fireplace with a 90° elbow would be allowed to run 6' with 1/4" rise per ft. If an additional elbow is used within this vent run, the maximum horizontal run allowed would be 1' with 1/4" rise per ft. (6 ft - 5 ft. (for additional elbow) = 1 ft.)

TERMINATION VENT CAP LOCATION

This gas appliance must not be connected to a chimney flue serving another type of appliance.

GENERAL:

- Terminations against vinyl siding must use a vinyl siding protector. Follow instructions included.
- DO NOT RECESS TERMINATION KIT INTO OUTSIDE BUILDING MATERIALS - i.e.: brick, stone, etc.. If necessary, extend framing so that termination kit will be exposed once building materials are installed.
- Vent termination must not be located where it will become plugged by snow or other material. The flow of combustion and ventilation air must be not obstructed.

LOCATION CLEARANCES:

- S Above grade, veranda, porch, deck, balcony - 12". (A)
- S Operable window - 12". (B)
- S Permanently closed window - 12" (recommended to prevent condensation on window). (C)
- S Ventilated soffit - 24". (D)
- S Unventilated soffit - 12". (E)
- S Outside / inside corner - 12". (F)
- S Meter / Regulator: not to be installed above within 3 ft. horizontally from the center line of the regulator.
- S Service regulator vent outlet - 3 ft. radius.
- S Non-mechanical air supply inlet to building - 12".
- S Combustion air inlet to any other appliance - 12".
- S Mechanical air supply inlet - (G) US: 3 ft. above if within 10 ft. horizontally. NOTE: Massachusetts installations: 10 ft.
- S Above furnace exhaust or inlet - 12".
- S Above paved side-walk or paved driveway located on public property - 7 ft. * (H)
- NOTE: A vent cannot be located directly above a sidewalk or paved driveway that is located between two single family dwellings and serves both dwellings.
- S Under veranda, porch, deck, or balcony (must be fully opened on a min. of 2 sides) - 12". (I)
- S Between two horizontal terminations - 12".
- S Between two vertical terminations - 12". (J) - Note: May be the same height.

* Clearance must be in accordance with local installation codes and the requirements of the gas supplier.

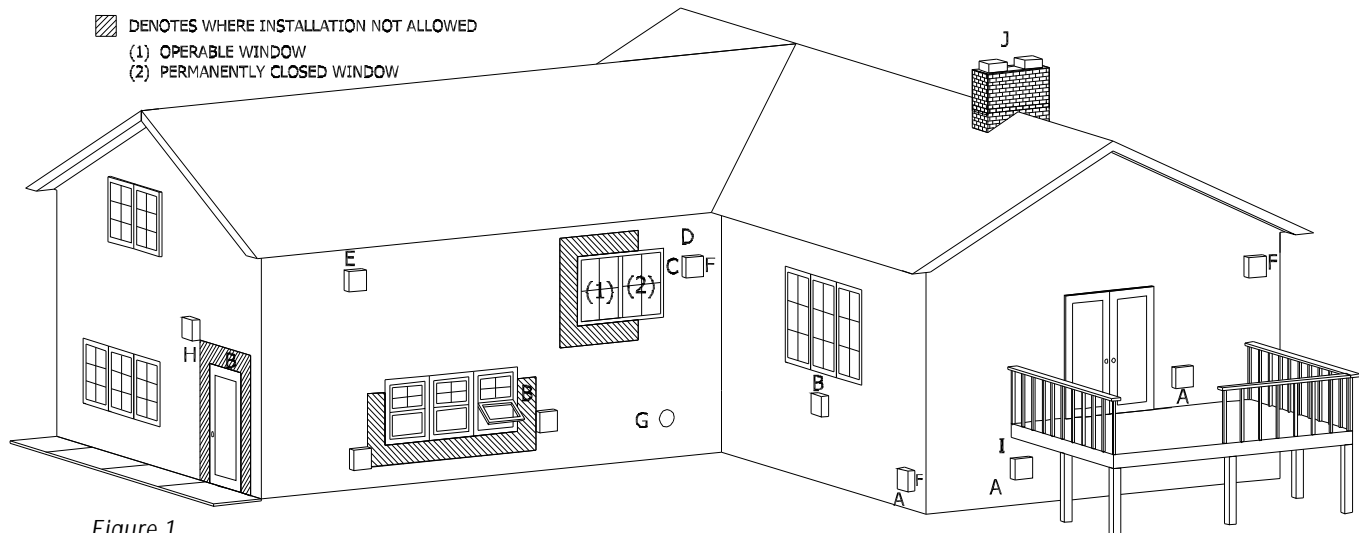
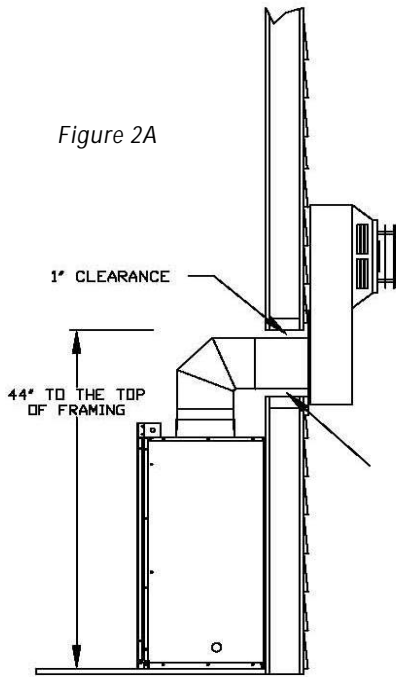


Figure 1

* CHECK LOCAL & STATE BUILDING CODES FOR ADDITIONAL REQUIREMENTS AND/OR RESTRICTIONS.

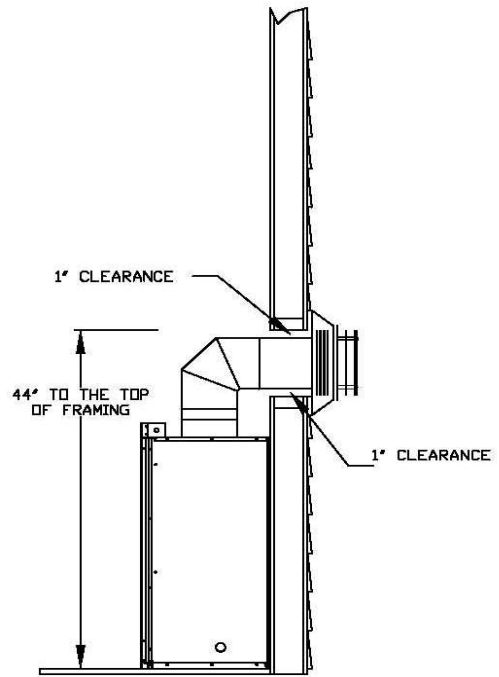
Minimum Horizontal Venting Configurations

Figure 2A



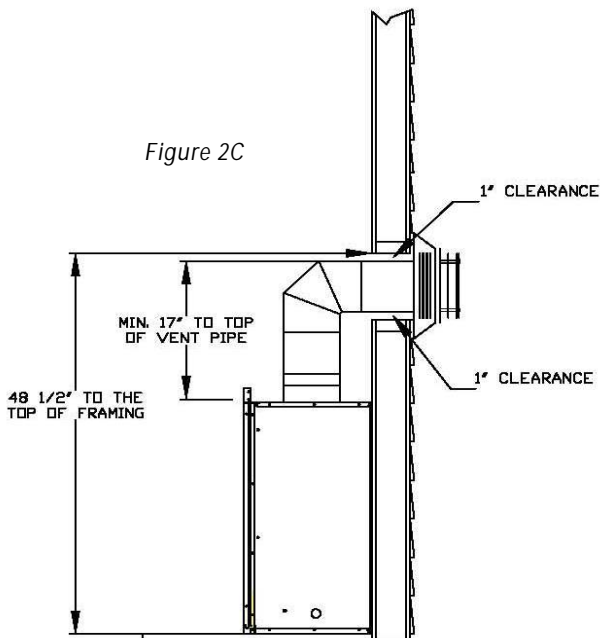
Minimum venting using Simpson Dura-Vent & the #923-C adaptor: (1) 90° elbow, followed by a minimum 6" horizontal vent run and then the 14" snorkel kit. The maximum horizontal vent run for this configuration is 2 ft. 6 in.

Figure 2B



Minimum venting using Simpson Dura-Vent or Ameri-Vent chimney systems. #923-C adaptor must be used. (1) 90° elbow followed by a minimum/maximum vent run of 6". This is the maximum horizontal vent run allowed without using a snorkel kit. Do not lengthen vertical or horizontal vent runs.

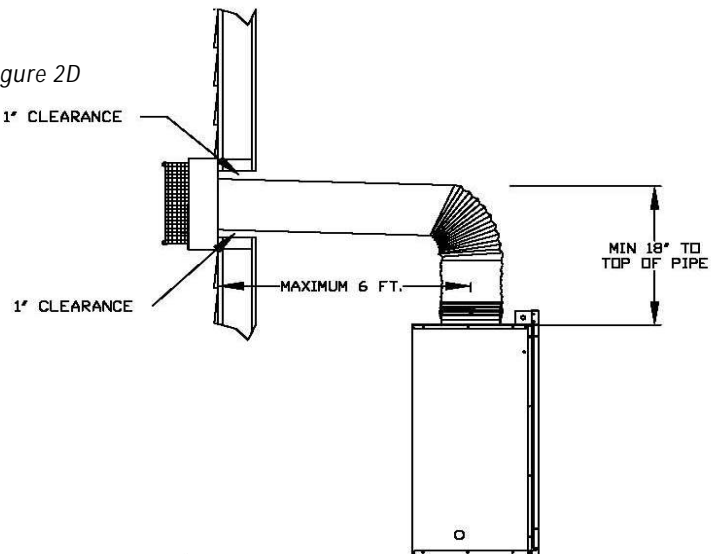
Figure 2C



Minimum venting using Simpson Dura-Vent or Ameri-Vent chimney systems. For minimum / maximum vertical & horizontal venting requirements, refer to pages #5 & #8.

Important: Horizontal runs must maintain 1/4" incline per foot of pipe.

Figure 2D



Typical horizontal termination using #700 Series flexible direct vent system. For minimum / maximum vertical & horizontal venting requirements, refer to pages #5 & #8.

Important: Horizontal runs must maintain 1/4" incline per foot of pipe.

VERTICAL VENTING REQUIREMENTS

NOTE: MINIMUM VERTICAL RISE FROM TOP OF FIREPLACE BEFORE FIRST ELBOW: 18 IN.
 MAXIMUM VERTICAL RISE FROM TOP OF FIREPLACE: 32 FT.
 IMPORTANT: A RESTRICTOR IS REQUIRED FOR VERTICAL VENT RUNS OF 14' TO 32' FEET.

ELBOWS: 2 (Dura-Vent & Ameri-Vent chimney)

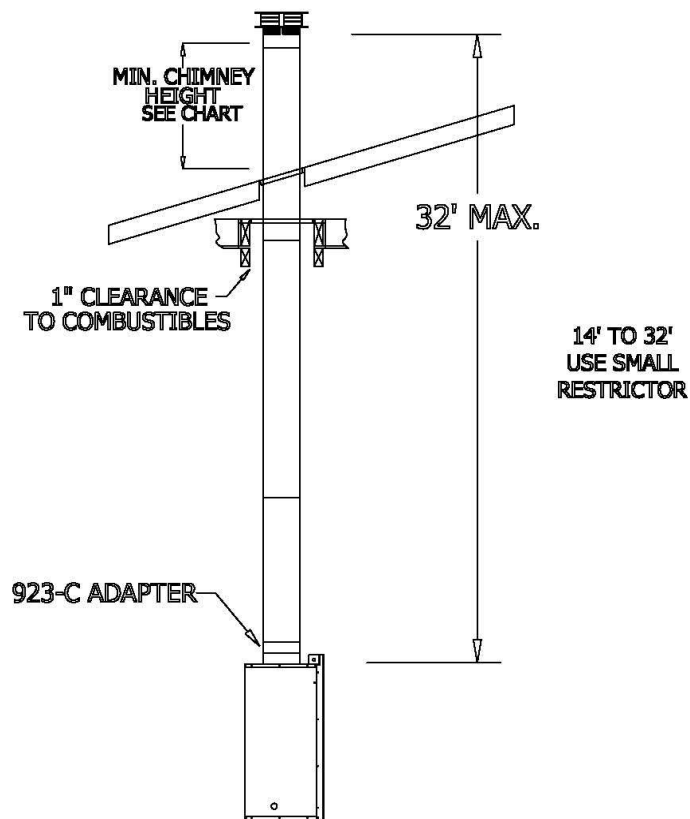
MINIMUM CLEARANCE TO COMBUSTIBLES: 1"

WHEN VERTICALLY TERMINATING, THE MINIMUM CHIMNEY HEIGHT ABOVE THE ROOF LINE IS DETERMINED BY THE FOLLOWING CHART:

Roof Pitch	Minimum Chimney Height	Roof Pitch	Minimum Chimney Height
Flat to 6/12	1 ft.	13/12 to 16/12	6 ft.
6/12 to 9/12	2 ft.	17/12 to 21/12	8 ft.
10/12 to 12/12	4 ft.		

CAUTION: This gas appliance must not be connected to or joined with any chimney flue serving any other appliance.

Figure 3



TYPICAL VERTICAL TERMINATION USING SIMPSON DURA-VENT OR AMERI-VENT CHIMNEY SYSTEMS.

(A) POSITION THE FIREPLACE.

1. Determine the exact position of your fireplace. If possible, place the fireplace in such a manner that the piping will be placed between two studs so additional framing is not necessary. Determine the width, depth and height of the (optional) hearth.

Refer to Figure 4 below for various installation options.

Maintain proper clearance to combustible requirements listed on page #3.

Maintain proper clearances of vent system on the exterior when horizontally terminating as outlined on page #6.

CAUTION: COLD AIR TRANSFER AREA. THE SURROUNDING WOOD CHASE OF THE OUTSIDE WALL MUST BE INSULATED TO PREVENT COLD AIR FROM ENTERING THE ROOM.

NOTE: Due to high temperatures, this fireplace should be located out of traffic areas and away from furniture and draperies.

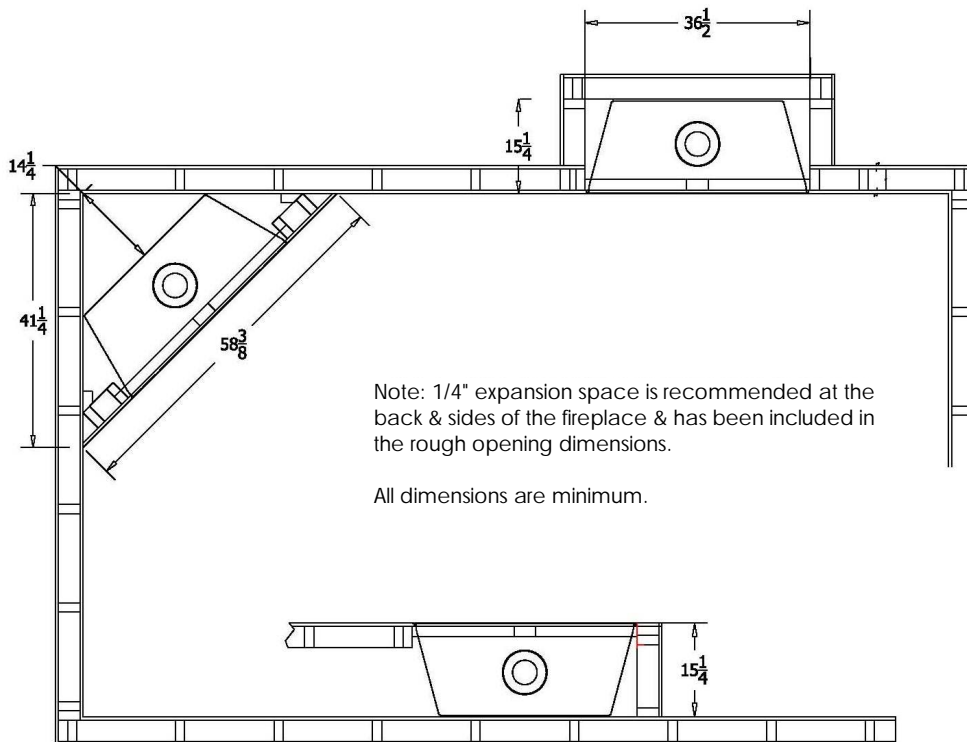


Figure 4

2. HORIZONTAL TERMINATIONS

Determine the height* & location of where the venting will exit on the exterior.

ATTENTION: #700 SERIES DV SYSTEMS: THE HEIGHT TO THE TOP OF THE FRAMED OPENING MUST BE A MINIMUM OF 49 1/2" ABOVE THE HEIGHT OF THE FLOOR OR OPTIONAL HEARTH.

***Important: This measurement is determined by the vertical height and horizontal length of the venting application desired. The measurement is to the top of the opening. Please refer to pages #5- #8 of this installation manual for requirements and restrictions**

- #700 SERIES VENT SYSTEMS:** Cut a 9 1/2" x 9 1/2" hole for the firestop at the location determined. The top of this hole must be a minimum of 49 1/2" (A) above the height of the floor or hearth.

The flexible termination kit includes an interior firestop assembly shown in Figure 5, which is installed on the inside wall (over wall materials), around the flexible pipe. Slide the firestop over the flex pipe with the spacer legs toward the wall **PRIOR** to connecting to the fireplace.

When the wall is complete, secure each corner with a drywall screw. **OPTIONAL:** Apply a liberal bead of sealant around the outside / wallside edge and place over the 9 1/2" square opening.

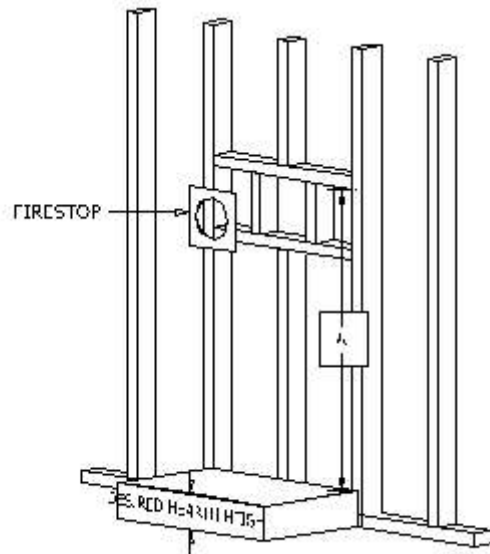


Figure 5

SIMPSON DURA-VENT OR AMERI-VENT CHIMNEY SYSTEMS: REFER TO CHIMNEY INSTALLATION INSTRUCTIONS FOR OPENING SIZE. MINIMUM CLEARANCE IS 1".

- Build the hearth to the desired size and height. See notes below.
- Rough in the wall enclosure. The minimum rough opening dimensions are:

32 1/4" high
36 1/2" wide
15 1/4" deep

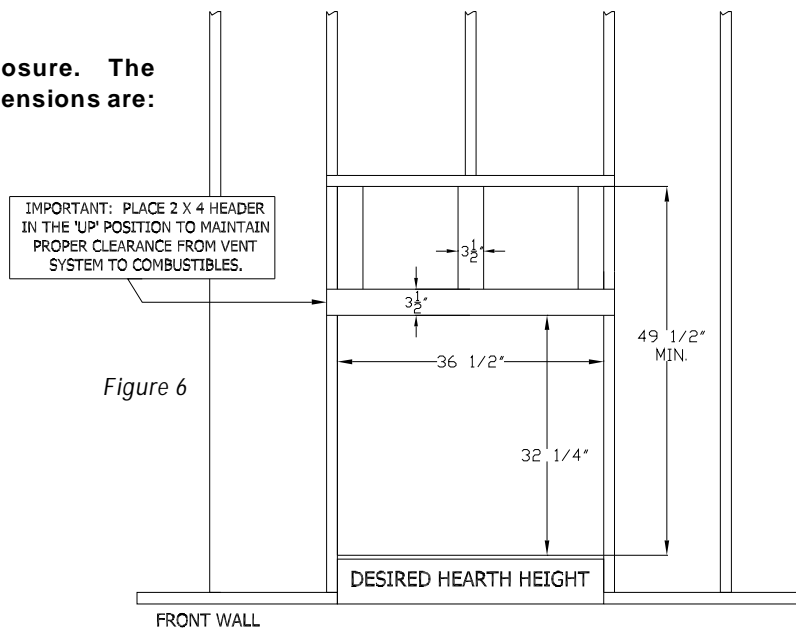


Figure 6

NOTE: When the fireplace is installed directly on carpeting, tile, or other combustible materials other than wood flooring, it must be installed on a metal or wood panel extending the full width and depth of the fireplace. The minimum for the support platform under the fireplace is 15 1/4" deep by 36" wide. If masonry is to be used (optional), prepare the necessary foundation for the masonry load. When masonry construction is being used, a lintel must be used over the top of the fireplace to support the added weight.

NOTE: A non-combustible hearth extension is not required. If a hearth extension is desired, combustible materials may be used.

NOTE: Provide for a minimum of 6" of clearance in front of the lower grill. This will provide adequate space for opening and closing the lower grill to access the controls. Do not obstruct the upper and lower grill areas to allow proper ventilation air around the fireplace. Air enters the fireplace at the lower grill, and exits at the upper grill. Blocking these passages may result in overheating the fireplace creating a potentially hazardous situation.

- Place the fireplace into position.**

(B) REMOVE THE GLASS ASSEMBLY.

See Figure 7.

1. Locate the spring-loaded handles securing the glass assembly (under the firebox).
2. Pull the handles out, then down to release the glass assembly.
3. Pull the bottom of the glass assembly out and lift up off the tabs (at the top).
4. Set aside where it will not be broken.
5. Remove the log package from the firebox and set aside.

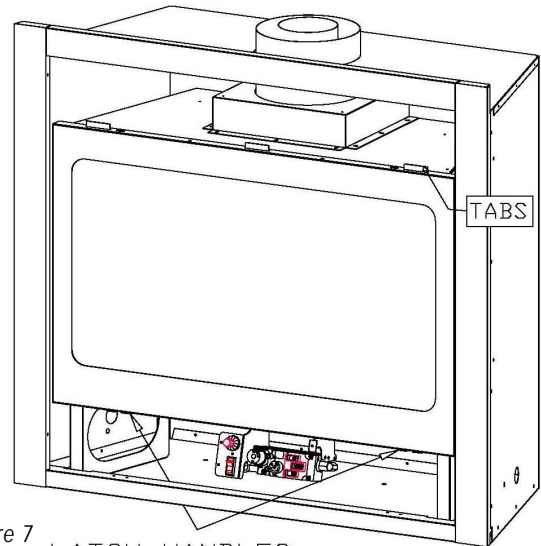


Figure 7
LATCH HANDLES

(C) HORIZONTAL & VERTICAL VENTING APPLICATIONS USING THE SIMPSON DURA-VENT OR AMERI-VENT CHIMNEY SYSTEM:

1. INSTALL THE #923-C ADAPTOR FOLLOWING THE INSTRUCTIONS INCLUDED WITH THE ADAPTOR.
2. INSTALL THE CHIMNEY SYSTEM FOLLOWING THE CHIMNEY MANUFACTURERS' INSTRUCTIONS INCLUDED WITH THE CHIMNEY SYSTEM.

IMPORTANT: IF INSTALLING THE SIMPSON DURA-VENT BRAND CHIMNEY SYSTEM, YOU MUST SEAL ALL JOINTS ON BOTH THE 4" AND 6 5/8" SECTIONS OF THE PIPE. YOU MAY USE THE SEALANT PROVIDED WITH THE #923-C ADAPTOR OR THE EQUIVALENT.

3. WHEN YOU HAVE FINISHED INSTALLING THE CHIMNEY SYSTEM, GO TO PAGE #13 OF THIS MANUAL AND CONTINUE THE FIREPLACE INSTALLATION.

(D) HORIZONTAL VENTING APPLICATIONS USING #700 SERIES DIRECT VENT FLEXIBLE CHIMNEY SYSTEMS.

1. PROCEED WITH THE INSTALLATION INSTRUCTIONS ON THE FOLLOWING PAGE.

(E) INSTALLATION OF THE #700 SERIES HORIZONTAL DIRECT VENT TERMINATION KIT(S)

IMPORTANT: #700 Series vent kits must be supported every 3 ft. to maintain proper rise.

NOTE: THE FLEX PIPE IS PERMANENTLY ATTACHED TO THE EXTERIOR WALL PLATE. DO NOT ATTACH THE #745 OR #718 TERMINATION KIT TO THE FIREPLACE (OR EXTENSION KIT) UNTIL IT HAS PASSED THROUGH THE WALL. THE TERMINATION PLATES SHOULD ALL BE INSTALLED ON THE EXTERIOR OF THE OUTSIDE WALL.

1. If your chimney termination is 8' or less from the stove top and doesn't require an extension kit, proceed to step number #6.
2. If your chimney termination will require one or more extension kits (part #746), proceed with the following steps. Each extension kit contains enough 4" & 7" flexible aluminum pipe to extend the chimney an additional 6'.
3. Using your extension kit pieces, place a bead of sealant outside the 4" flex pipe collar (C) - the end with the EXTERNAL notches - and slide it inside the 4" pipe on top of the fireplace (D). Secure with 3 evenly spaced screws.

NOTE: This connection is difficult to remove without damaging the collars once installed.

4. Place a bead of sealant outside the 7" flex pipe collar (E) - the end with the EXTERNAL notches - and slide it inside the 7" pipe on top of the fireplace (F). Secure with 3 evenly spaced screws.
5. If additional extension kits are being used, repeat steps 3 and 4, placing the 4" & 7" pipes onto the previous extension kit.

Referring to Figure 8:

6. Apply a liberal bead of exterior sealant around the outer edge of the termination kit box (A), and, from the outside, place the exterior wall assembly through the 9 1/2" square hole. Place screws through the four slots (B) securing it in place.

NOTE: Attachment brackets are included with the termination kit. These optional brackets should be screwed, or nailed (screws not provided) onto the top and bottom of the 9 1/2" square hole, on the exterior of the house. The termination plates then fit in between these brackets, and using the screws provided, screw the brackets to the termination kit box (A). Attach the vinyl siding protector.

- 7a. OPTIONAL: Place insulation between the 7" pipe and the wall studs.

7b. The flexible termination kit includes an interior firestop assembly shown in Figure 5, page #10, which is installed on the inside wall (over wall materials), around the flexible pipe. Slide the firestop over the flex pipe with the spacer legs toward the wall. OPTIONAL: Apply a liberal bead of sealant around the outside / wallside edge and place over the 9 1/2" square opening.

7c. Secure each corner with a drywall screw. (See Figure 5 - page #10)

8. Gently pull the 4" & 7" flexible aluminum pipes down to the top of the extension kit, or the top of the fireplace if no extension kits were used.

9. Place a bead of sealant outside the 4" flex pipe collar (C) and slide it inside the 4" pipe on top of the fireplace (D). Secure with 3 evenly spaced screws.

NOTE: This connection is difficult to remove without damaging the collars once installed.

10. Place a bead of sealant outside the 7" flex pipe collar (E) and slide it inside the 7" pipe on top of the fireplace (F). Secure with 3 evenly spaced screws.

Note: The 18" minimum vertical rise measurement is to the top of the 7" pipe.

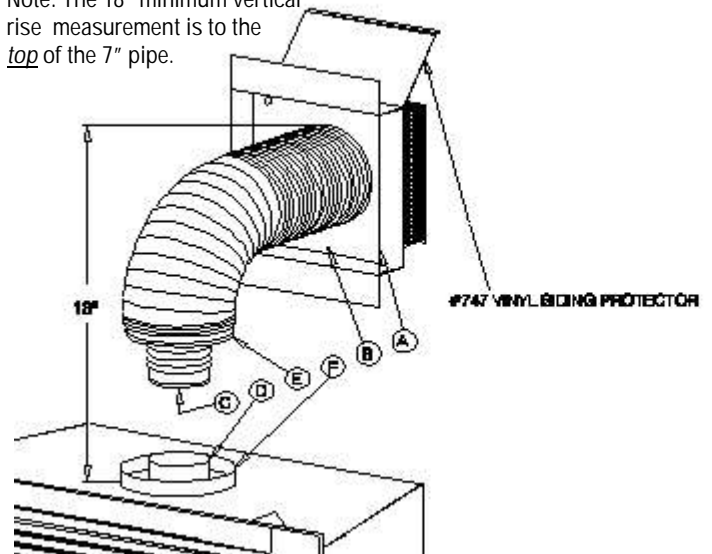


Figure 8

(F) FAN INSTALLATION

INSTALLATION OF THIS FAN SHOULD BE DONE ONLY BY A QUALIFIED INSTALLER.

IMPORTANT: THE FAN IS EASIEST TO INSTALL BEFORE THE MILLIVOLT BOARD IS CONNECTED TO THE GAS LINE.

IMPORTANT: IF THE LOWER GRILL HAS BEEN INSTALLED, IT MUST BE REMOVED TO PROPERLY INSTALL THIS FAN.

NOTE: The fan wiring must be done prior to enclosing the sides of the fireplace. An electrical box & romex connector are pre-installed on a removable panel on the left side of the fireplace. A receptacle speed control assembly and (3) wire nuts are included in the fireplace components packet.

This optional fan kit, part #600-1* includes:

1. Right and left fan assemblies with thermostatic control switch already mounted.
2. Components package: (4) nuts, installation instructions.

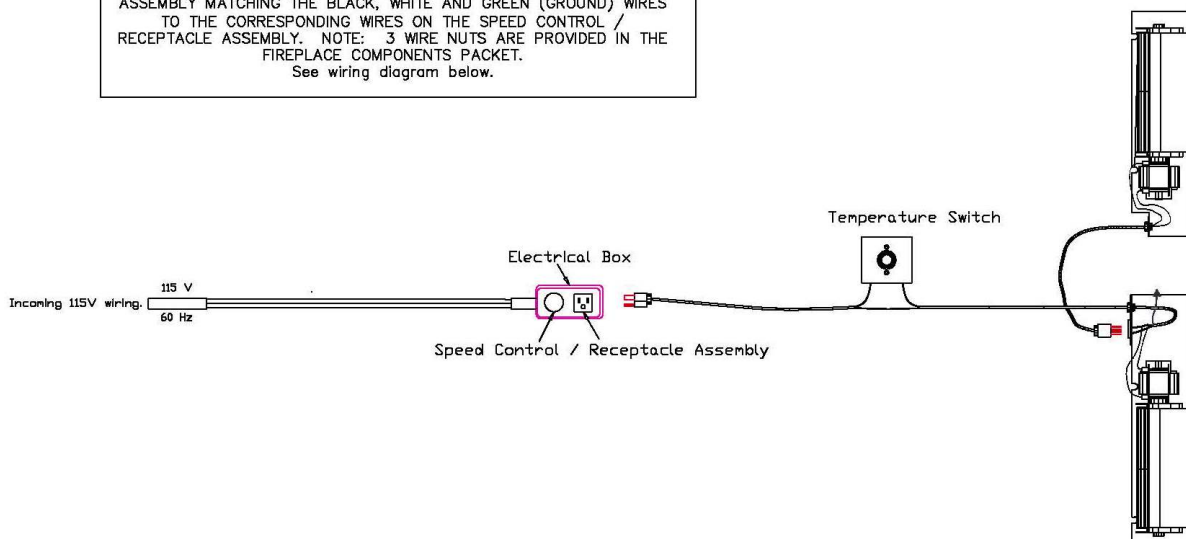
NOTE: To wall-mount the speed control, you will need to purchase a speed control assembly & mounting plate, an electrical box to mount the speed control and a cover / switch plate with screws.

*NOTE: Fan kit #TRF-028 is also available. Follow instructions included with the fan.

IMPORTANT: Code approved line voltage wiring 14 gauge or better must be used when wiring this assembly. Refer to your local electrical codes for specific requirements in your area.

WARNING: This appliance is equipped with a three-prong (grounding) plug for protection against shock hazard and should be plugged directly into a properly grounded three-prong receptacle. Do not cut or remove the grounding prong from this plug.

IMPORTANT: INSERT 115V WIRING (WITH GROUND) THROUGH THE ROMEX CONNECTOR AND WIRE TO THE SPEED CONTROL / RECEPTACLE ASSEMBLY MATCHING THE BLACK, WHITE AND GREEN (GROUND) WIRES TO THE CORRESPONDING WIRES ON THE SPEED CONTROL / RECEPTACLE ASSEMBLY. NOTE: 3 WIRE NUTS ARE PROVIDED IN THE FIREPLACE COMPONENTS PACKET.
See wiring diagram below.



INSTALLATION INSTRUCTIONS. REFER TO FIGURE 9 BELOW.

1. Remove the lower grill, if installed.
2. OPTIONAL: For easier installation, the fans may be separated by unplugging the three-prong plug from the receptacle in the right fan assembly.
3. Slide the left fan (A) (without receptacle) through the lower grill opening (right side of the valve) and place over the (2) left mounting studs (B) located towards the back of the fireplace.
4. Slide the right fan (with receptacle) (C) through the lower grill opening (right side of the valve) and place over the (2) right side mounting studs (D) located towards the back of the fireplace.
5. Place nuts on mounting studs and tighten.
6. If the fans were separated in step #2 above, plug fans together by inserting the three-prong male end on the short fan cord on the left fan assembly into the receptacle in the right fan assembly.
7. Remove the (2) screws securing the removable access panel (with electrical box & romex connector installed) from the side of the fireplace.
8. Insert 115V wiring (with ground) through the romex connector and wire to the speed control / receptacle assembly matching the black (hot), white (neutral) and green (ground) wires to the corresponding wire on the speed control / receptacle assembly. NOTE: (3) wire nuts are included in the fireplace components packet.
9. Secure the speed control / receptacle assembly (E) into the electrical box with the (2) screws provided.
10. Re-install the electrical access panel and secure with the (2) screws removed.
11. Place the temperature control switch (with magnet) on the bottom of the firebox.
12. Plug the fan cord (F) into the receptacle in the electrical box.
13. Turn on/off speed control counter-clockwise until it 'clicks'. This is the 'OFF' position.
14. Turn the speed control 'ON' by turning the knob clockwise past the 'click' - this is the highest setting.
15. Re-install lower grill, if removed in step #1 above.

NOTE: The fan will not operate unless the speed control has been turned 'ON'. The fan will not turn 'ON' until sufficient heat is applied to the thermostatic control switch. The fan will turn 'ON' and 'OFF' automatically when the fireplace heats and cools. Adjust fan to desired speed while it is running.

THERMOSTATIC CONTROL SWITCH POSITION: Prior to adjusting the theromstatic control switch, unplug the 3-prong plug on the fan cord from the receptacle. Adjust the position of the temperature control switch to a warmer location under the firebox to turn the fan 'ON' sooner or move it to a cooler location under the firebox to turn the fan 'ON' later. The fan will turn on when the sensor in the temperature control switch reaches 110° F and will turn 'OFF' when the sensors reach 90° F. After adjustment, plug the 3-prong plug on the fan cord into the receptacle.

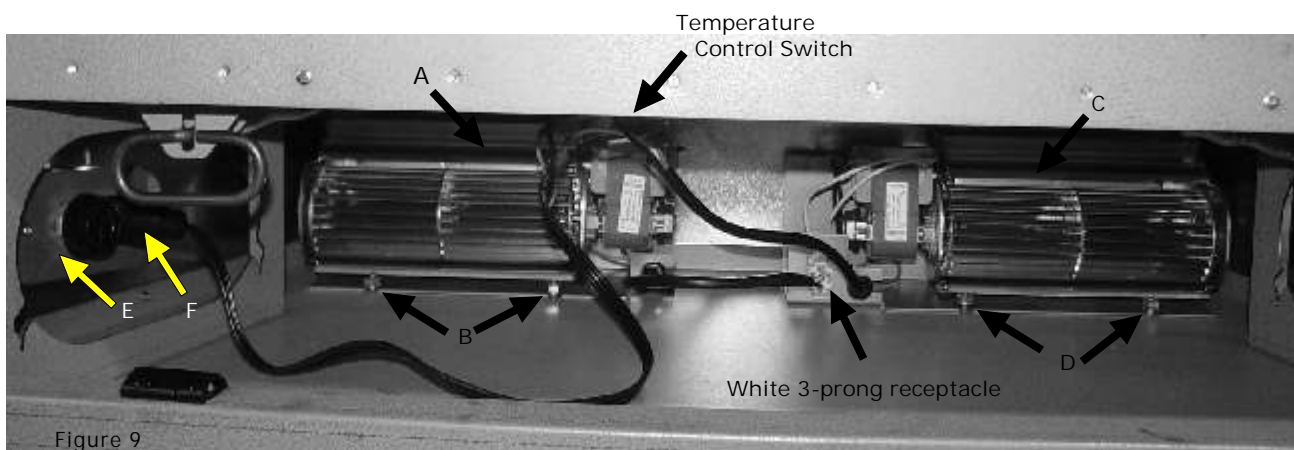


Figure 9

(G) RUN THE GAS LINE.

CAUTION: Installation of the gas line must only be done by a qualified person in accordance with local building codes.

GAS CONVERSIONS

This fireplace is manufactured for use with Natural Gas. An LP Gas conversion kit is included with the fireplace components packet. Follow instructions included with the conversion kit.

Natural Gas Conversion Kit #OCK-S32A - used to convert an LP millivolt board to Natural Gas.

LP Gas Conversion Kit OCK-S52A - used to convert a Natural Gas millivolt board to LP Gas.

The conversion shall be carried out in accordance with the requirements of the provincial authorities having jurisdiction and in accordance with the requirements of the ANSI Z223.1 installation code.

NOTE: This fireplace is equipped with a 3/8" x 18" long flexible gas connector and manual shut off valve.

NOTE: The gas line should be run to the point of connection where the shut-off valve and flexible gas line will connect.

CAUTION: The manual shut-off valve or flexible gas tubing must not extend outside of the fireplace cavity. See the **WARNING** label affixed to the flexible tubing for additional installation instructions and warnings.

NATURAL GAS:

The minimum inlet gas supply pressure: 7.0 inches W.C. (recommended)

The maximum inlet gas supply pressure: 10.5 inches W.C.

Manifold pressure: 3.5 inches W.C.

Manifold pressure (lo setting): 1.7 inches W.C.

Orifice size: 32 Input: 32,000 BTU's Efficiency: 74% AFUE: 67%

LP GAS:

The minimum inlet gas supply pressure: 11.0 inches W.C. (recommended)

The maximum inlet gas supply pressure: 13.0 inches W.C.

Manifold Pressure: 10.0 inches W.C.

Manifold Pressure (lo setting): 6.5 inches W.C.

Orifice size: 52 Input: 30,000 BTU'S Efficiency: 73% AFUE: 68%

The efficiency rating of this appliance is a product thermal efficiency rating determined under continuous operating conditions and was determined independently of any installed system.

NOTE: For high altitude installations consult the local gas distributor or the authority having jurisdiction for proper rating methods.

1. Run the gas line. An accessible shut off valve must be installed up stream from the regulator.

NOTE: Do not run the incoming gas line in a manner that would obstruct the operation of the fan.

2. This fireplace is designed to accept either a 3/8" or 1/2" gas line approved for gas appliances. Consult local building codes to properly size the gas supply line leading to a 3/8" reduction.

3. A gas line knockout is positioned on either side of the fireplace for gas line connection.

4. Connect the gas line to the manual shut-off valve.

5. Connect the flexible gas line (installed on the millivolt board valve) to the manual shut off valve.

**IMPORTANT:
ALL CONNECTIONS WHETHER FIELD OR FACTORY MADE MUST BE
CHECKED FOR LEAKS!**

NOTE: The appliance and its individual shutoff valve must be disconnected from the gas supply piping system during any pressure testing of that system at test pressures in excess of ½ psi.

NOTE: The appliance must be isolated from the gas supply piping system by closing its individual manual shutoff valve during any pressure testing of the gas supply piping system at test pressures equal to or less than ½ psi.

Pressure check taps for both the manifold (outgoing) & inlet (incoming) pressures are located in front of the gas valve. The right pressure tap is the manifold pressure and the left pressure tap is the incoming pressure. Follow instructions on page #23 for checking these pressures.

(H) SECURE THE MILLIVOLT BOARD:

This fireplace is equipped with the millivolt board & burner / cover assembly already installed. Referring to the 'INSTALLING THE MILLIVOLT BOARD' section on pages #25-#26, check to ensure that all (7) nuts securing the millivolt board are in place and properly tightened. Re-install the burner / cover assembly, securing it to the millivolt board bottom with the (2) nuts provided and ensuring the burner tube is properly positioned over the burner orifice.

(I) LOG INSTALLATION

This log set includes: (1) JA-Log (1) N-Log (1) HB-Log
 (1) LA1-Log (1) BL-Log (1) AP-Log
 (1) C-Log (1) JC-Log
 (1) Rock wool embers pkg.

NOTE:

THE 'JA' LOG IS NOTCHED AND SHOULD BE POSITIONED ONTO THE BURNER COVER PLACING THE NOTCHED OUT SECTIONS IN THE LOG TO THE BRACKETS IN THE CENTER OF THE BURNER COVER.

1. Position the 'JA' log onto the center of the burner cover aligning the notches in the bottom of the log to the brackets in the burner cover. Figure 10.
2. Place the 'N', 'LA1' and 'HB' logs into position on the burner cover as shown in Figure 10. To secure in place once positioned, press the logs down slightly onto the pins in the burner cover.

Note: Do not allow any portion of the logs to cover the burner ports.

3. Place the 'JC' log into position in front of the burner as shown in Figure 10.

Carefully place the rock wool embers as desired onto the logs and burner tube to create additional glow. Do not plug burner port holes or use excessively.

Note: You will not use all the embers included in the packet at this time. Save for future use.

4. Align the hole in the bottom of the 'AP' log to the alignment knob* protruding from the 'HB' log. Refer to Figures 10 & 11.
5. Position remaining top logs 'BL' & 'C' onto the previously positioned logs as shown in Figure 11.

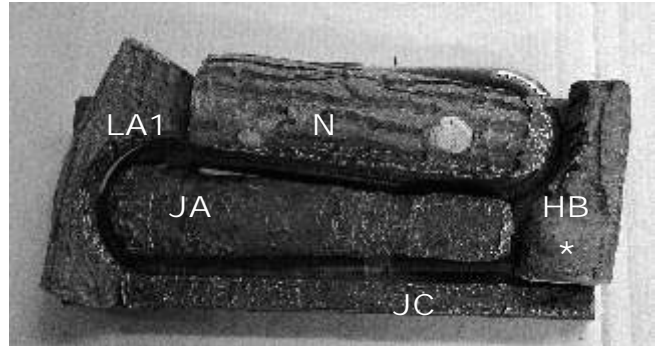


Figure 10

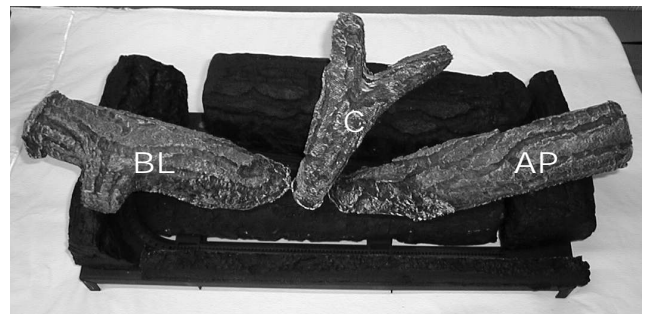


Figure 11

INITIAL BURN PERIOD

Due to the makeup of the logs, the curing process may take up to 4 hours of burn time. During this period, the logs will discolor but will return to their true color once the curing process is complete.

Do not burn this fireplace without the glass properly in place.

MAKE SURE THE HOMEOWNER IS AWARE OF THIS

(J) THERMOSTAT - WALL SWITCH - REMOTE INSTALLATION

CAUTION: DO NOT CONNECT HIGH VOLTAGE (115V) WIRE TO THE GAS VALVE!

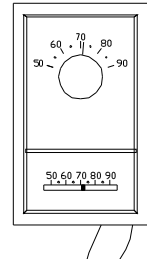
NOTE: INSTALLATION OF A THERMOSTAT OR WALL SWITCH SHOULD ONLY BE DONE BY A QUALIFIED INSTALLER.

If desired, a thermostat (wireless style available), wall switch, or remote control assembly may be used to turn the fireplace 'OFF' and 'ON'. **ONLY ONE** of these may be installed. Follow instructions included with each assembly.

OPTIONAL: Disconnect the on/off rocker switch wires from the top & bottom terminals on the back side of the gas valve. Refer to Figure 19, page #28.

Figure 12

Thermostat Wiring Diagram



Follow instructions included with the remote control.

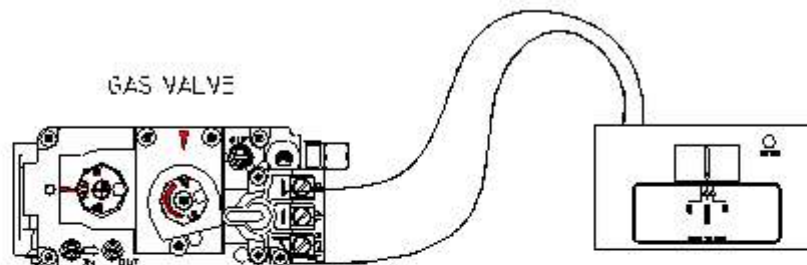
IMPORTANT: The insulated cover included with the remote control must be placed over the remote receiver to protect it from overheating.

Run low-voltage (thermostat) wires from the terminals on the gas valve to the desired location of the wall switch or thermostat.

Attach the appropriate connector to each wall switch / thermostat wire and connect to the top and bottom terminals on the gas valve marked 'TH'.

Remote Control Wiring Diagram

Figure 13



(K) COMPLETE THE INSTALLATION

1. SECURE THE FIREPLACE:

NOTE: Nailing flanges are attached to the sides of the fireplace.

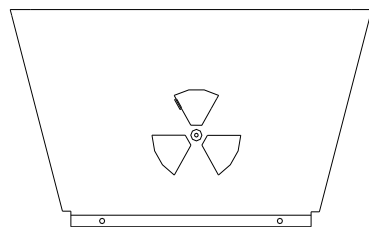
- A. Loosen but do not remove the screws securing the nailing flanges to the fireplace. Remove the nailing flanges.
- B. Locating the keyhole slots on the nailing flange, simply place over the screws and slide forward to the desired position, then tighten the screws.
- C. The tabs can now be bent parallel with the fireplace.
- D. Fasten to framing with holes provided in the nailing flange.

2. COMPLETE THE FIREPLACE WALLS AND THE FIREPLACE FACING:

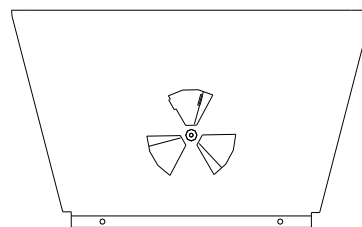
CAUTION: THE SURROUNDING WOOD CHASE OF THE OUTSIDE WALL **MUST** BE INSULATED TO PREVENT COLD AIR FROM ENTERING THE ROOM.

3. **SEASONAL HEAT DUMP:** This fireplace has been designed with an adjustable heat dump outlet located inside the fireplace (at the top). This will allow infinite control over the amount of heat emitted into the living area without affecting the flame height.

INSTALLER: PLEASE INSTALL THIS FIREPLACE WITH THE ADJUSTABLE HEAT OUTLET DUMP IN ITS CLOSED POSITION.



HEAT OUTLET SHOWN
IN CLOSED POSITION.



HEAT OUTLET SHOWN IN
PARTIALLY OPENED POSITION.

CAUTION: IF THE FIREPLACE HAS BEEN IN OPERATION, ALLOW AMPLE TIME FOR IT TO COOL BEFORE ADJUSTING THE HEAT OUTLET OPENING OR USE THE APPROPRIATE PROTECTION TO PREVENT SERIOUS BURNS.

- To adjust the heat outlet opening:**
- 1. Remove the upper grill and glass assembly.
 - 2. Open or close the outlet to desired position.
 - 3. Replace the glass assembly and upper grill.

3. THIS STEP SHOULD ONLY BE DONE BY A QUALIFIED INSTALLER OR SERVICE TECHNICIAN:

- A) Perform lighting and shutdown procedures as described on pages #21-#22 . This should be done prior to re-installing the glass so that any necessary adjustments can be made and proper operation verified.

4. RE-INSTALL THE GLASS. Refer also to Figure 7, page #11.

- A) Align the slots in the top of the glass assembly over the tabs on the fireplace.
- B) Place the glass assembly so it is flush with the front of the fireplace front.
- C) Secure the glass assembly to the fireplace by pulling the spring loaded handles down & out, then up over the latch brackets. Release, locking the latches into position.

WARNING: DO NOT OPERATE THIS FIREPLACE WITH THE GLASS ASSEMBLY REMOVED, CRACKED OR BROKEN. Replacement of the glass assembly should be done by a licensed or qualified service person.

5. GRILL INSTALLATION: The following instructions apply to the 'louvered-style' upper & lower grill. If decorative grills are desired, follow the instructions included with the decorative grill set.

Upper Grill - Install:

- A) Line the rods of the grill up with the upper holes.
- B) Place the rods in the holes and push up until the bottoms of the rods clear the glass frame.
- C) Place the bottom of the rods into the lower holes and release. The grill will set down into place.

Remove:

- A) Lift the upper grill up far enough to clear the bottom holes and pull bottom of grill out.

Lower grill - See Figure 14

Install:

- A) Remove the 1/4" nuts (B) from the lower grill assembly.
- B) Slip the bolt through the hinge (A).
- C) Re-attach the 1/4" nut (B).
- D) Repeat "A" through "C" for the remaining hinge.

The grill is now in place. The grill may be lowered for lighting purposes, etc.

Remove:

- A) Remove the 1/4" nuts (B) from the lower grill assembly.
- B) Pull the entire grill assembly out of the hinges.
- C) Re-attach the 1/4" nuts (B).

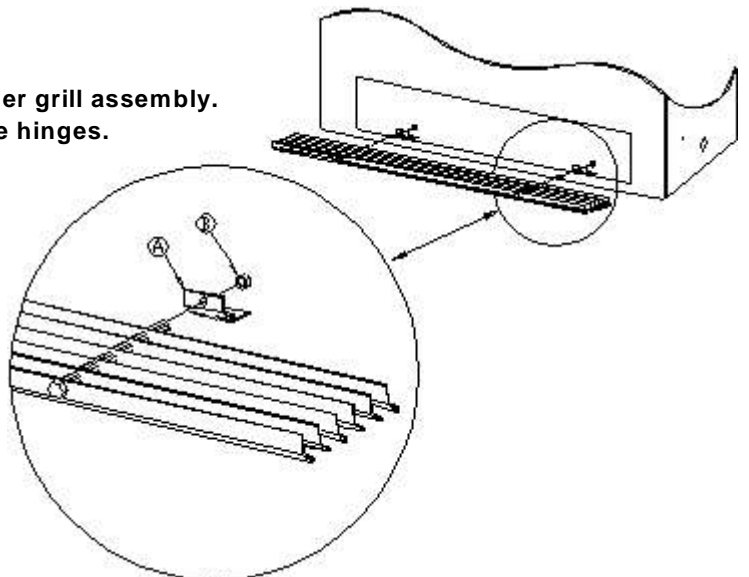


Figure 14

(L) LIGHTING AND SHUTDOWN / PRESSURE TESTING

NOTE: Prior to lighting, check all fittings for leakage. This is accomplished by applying soapy water on all connections made. If there is any leakage, bubbles will appear at the point of connection. If bubbles occur, tighten the fittings until the bubbles no longer appear.

IMPORTANT: TEST ALL CONNECTIONS WHETHER FIELD OR FACTORY MADE.

NOTE: The appliance and its individual shutoff valve must be disconnected from the gas supply piping system during any pressure testing of that system at test pressures in excess of ½ psi.

NOTE: The appliance must be isolated from the gas supply piping system by closing its individual manual shut off valve during any pressure testing of the gas line at test pressures equal to or less than 1/2 psig (3.5 kPa).

Pressure check taps for the manifold (outgoing) and inlet (incoming) pressures are located in front of the gas valve. The right pressure tap is the manifold pressure and the left pressure tap is the incoming pressure. Follow instructions on page #23 for checking these pressures.

FOR YOUR SAFETY - READ BEFORE LIGHTING

WARNING: If you do not follow these instructions exactly, a fire or explosion may result causing property damage, personal injury or loss of life.

1. This appliance has a pilot which must be lighted by hand. When lighting the pilot, follow these instructions exactly.
2. **BEFORE LIGHTING**, smell all around the appliance for gas. Be sure to smell next to the floor because some gas is heavier than air and will settle on the floor.
3. Use only your hand to push in or turn the gas control knob. Never use tools. If the knob will not push in, or turn by hand, don't try to repair it, call a qualified service technician. Forced or attempted repair may result in a fire or explosion, and loss of warranty.
4. Do not use this appliance if any part has been under water. Immediately call a qualified service technician to inspect the appliance and to replace any part of the control system which has been under water.

DO NOT STORE OR USE GASOLINE OR OTHER FLAMMABLE VAPORS AND LIQUIDS IN THE VICINITY OF THIS OR ANY OTHER APPLIANCE.

DUE TO HIGH SURFACE TEMPERATURES, KEEP CHILDREN, CLOTHING AND FURNITURE AWAY.


This appliance needs fresh air for safe operation and must be installed so there are provisions for adequate combustion and ventilation air.

WHAT TO DO IF YOU SMELL GAS:


- *Do not touch electrical switches.
- *Do not try to light any appliance.
- *Do not use any phone in your building.
- *Follow the gas supplier's instructions
- *Immediately call your gas supplier from a neighbor's phone.
- *If you cannot reach your gas supplier, call the fire department.

LIGHTING INSTRUCTIONS

NOTE: Read 1-8 before lighting the fireplace for the first time. Refer to Figure 15 on page #22.

1. Set the thermostat to the lowest setting, if installed.
2. Turn off all electric power to the appliance. (Fan)
3. Open the lower air passage panel to access the gas valve & controls.
4. Push in control knob (A) slightly and turn clockwise  to "OFF".

NOTE: Knob cannot be turned from "PILOT" to "OFF" unless knob is pushed in slightly. Do not force.

5. Wait five (5) minutes to clear out any gas. If you then smell gas, STOP! Follow the safety information listed above. If you don't smell gas, go to the next step.
6. Find the pilot - follow metal tube from the gas valve. The pilot is located inside the combustion chamber.
7. Turn the control knob (A) on gas valve counterclockwise  to "PILOT".

S.I.T. Pilot




8. Push in the control knob all the way and hold in. Press the piezo igniter button (B).

The pilot will generally light with two or three pushes on the igniter. Hold the knob in for about one (1) minute after the pilot is lit. Release knob and it will pop back out. Pilot should remain lit. If it goes out, repeat steps #4 through #8.

*If knob does not pop out when released, stop and immediately call your service technician or gas supplier.

*If the pilot will not stay lit after several tries, turn the gas control knob to "OFF" and call your service technician or gas supplier.

9. Turn gas control knob counterclockwise  to the "ON" position.
10. The burner can now be turned 'ON' or lit by depressing the bottom of the ON/OFF rocker switch (C), located beside the valve, to the 'ON' position *OR* by setting the thermostat or remote control to the desired setting.
11. NOTE: When the fireplace is initially lit, condensation will appear on the glass, this is normal in all gas fireplaces, and will disappear in one to three minutes.

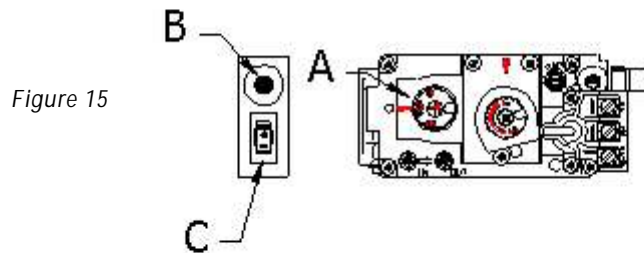
TO TURN THE BURNER OFF:

To turn the burner 'OFF', depress the ON/OFF rocker switch to 'OFF', flip 'OFF' the wall switch or adjust the setting on the thermostat or remote control. NOTE: The pilot will stay lit.

TO TURN THE PILOT OFF:

To turn off the pilot, push in and turn the control knob to the "OFF" position. DO NOT FORCE.

WARNING: This control valve has an interlock device. After turning off the pilot, it cannot be relit until the thermocouple has cooled, (approximately 60 seconds).



INITIAL BURN PERIOD

AN ODOR WILL OCCUR DURING THE FIRST FEW HOURS OF BURNING. THIS IS THE PAINT CURING AND SUBSTANCES USED IN THE MANUFACTURING PROCESS. IT IS RECOMMENDED TO LEAVE THE FAN (IF INSTALLED) OFF DURING THIS PERIOD AS THIS WILL SPEED UP THE PAINT CURING PROCESS. DUE TO THE MAKEUP OF THE LOGS, THEY WILL DISCOLOR DURING THE INITIAL BURN PERIOD. THIS MAY TAKE UP TO 4 HOURS OF BURN TIME. ONCE THE CURING PROCESS IS COMPLETE, THE TRUE COLOR WILL RETURN. DO NOT BURN THIS FIREPLACE WITHOUT THE GLASS PROPERLY IN PLACE.

****MAKE SURE THE HOMEOWNER IS AWARE OF THIS****

NOTE: THIS FIREPLACE MAY PRODUCE NOISES OF VARYING DEGREE AS IT HEATS AND COOLS DUE TO METAL EXPANSION AND CONTRACTION. THIS IS NORMAL AND DOES NOT AFFECT THE PERFORMANCE OR LONGEVITY OF THE FIREPLACE.

NOTE: Children and adults should be alerted to the hazards of high surface temperatures and should stay away to avoid burns or clothing ignition. Young children should be carefully supervised when they are in the same room as the appliance.

Clothing or other flammable material should not be placed on or near the appliance.

PRESSURE TEST - MANIFOLD & INLET PRESSURE

IMPORTANT NOTICE: A pressure check tap for both the manifold (outgoing) and inlet (incoming) pressure has been incorporated into the valve by S.I.T. Controls. The right pressure tap is the manifold pressure and the left pressure tap measures the incoming pressure. Follow the instructions below for proper pressure testing procedures.

TO CHECK THE MANIFOLD PRESSURE:

1. Light pilot .
2. Loosen the manifold pressure tap [D] by turning the screw counter-clockwise.
3. Attach manometer to pressure tap using a 5/16" I.D. hose [F].
4. Turn black control knob [A] to the 'ON' position.
5. Turn the burner 'ON' by depressing the rocker switch [C] to the 'ON' position and note manometer reading.
6. Depress the rocker switch [C] to the 'OFF' position.
7. Disconnect manometer hose and tighten screw (clockwise). Screw should be snug, do not over tighten.
8. Attach manometer to manifold pressure tap to verify that it is completely sealed.
Manometer should read no pressure when the rocker switch is turned 'ON'.

NOTE: If manifold pressure reading is within the normal range, an incoming pressure check is not necessary. A too high or too low pressure reading warrants an inlet (incoming) gas pressure check.

TO CHECK THE INLET PRESSURE:

1. Loosen Inlet pressure tap screw [E] by turning screw counter-clockwise.
2. Attach manometer using a 5/16" I.D. hose [F].
3. Light the pilot.
4. Turn the black control knob [A] to the 'ON' position. (Burner should not come 'ON') and note manometer reading.
5. Depress the rocker switch [C] to the 'ON' position and check the pressure to ensure that it stays near the maximum inlet pressure.
6. Turn the rocker switch [C] to the 'OFF' position.
7. Turn the pilot to the 'OFF' position.
8. Disconnect hose and tighten screw (clockwise). Screw should be snug, do not over tighten.
9. Relight pilot and turn the control knob [A] to the 'ON' position. Attach manometer to the inlet pressure tap to verify that it is completely sealed. Manometer should read no pressure.

NOTE: If Inlet pressure reading is too high or too low, contact the gas company. Only a qualified gas service technician should adjust the incoming gas pressure.

CAUTION: A LOW PRESSURE READING CAN CAUSE DELAYED IGNITION.

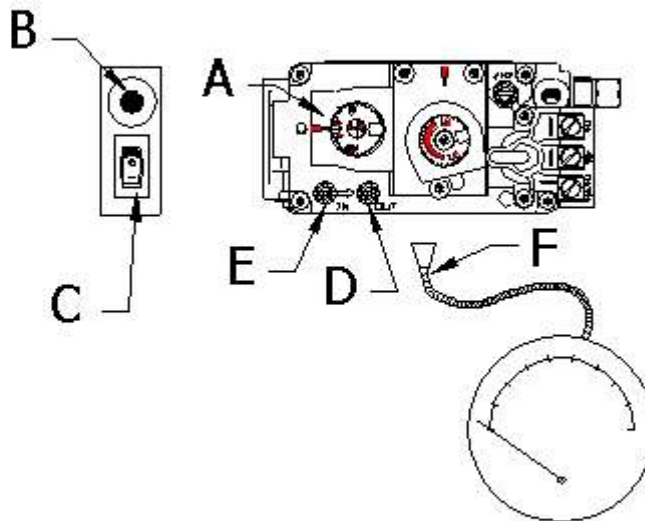


FIGURE 16

M) MAINTENANCE REQUIREMENTS

1. The appliance should be inspected at least once a year by a professional service person.

NOTE: INSTALLATION AND REPAIR SHOULD BE DONE ONLY BY A QUALIFIED SERVICE PERSON. THE APPLIANCE SHOULD BE INSPECTED BEFORE USE AND AT LEAST ANNUALLY BY A QUALIFIED SERVICE PERSON. MORE FREQUENT CLEANING MAY BE REQUIRED DUE TO EXCESSIVE LINT FROM CARPETING, BEDDING MATERIALS, ETC. IT IS IMPERATIVE THAT CONTROL COMPARTMENTS, BURNERS AND CIRCULATION AIR PASSAGEWAYS OF THE APPLIANCE BE KEPT CLEAN.

2. The compartment below the firebox (behind the lower grill) must be cleaned at least once a year, more frequent cleaning may be required due to excessive lint from carpeting, bedding materials, or other fibrous materials. It is imperative that the burner be cleaned once a year.

FAN

The fan should be disconnected from electrical current, and cleaned (vacuumed) every six months. The bearings are sealed and require no oiling.

VENT SYSTEM

Annual examination of the venting system by a qualified agency is required.

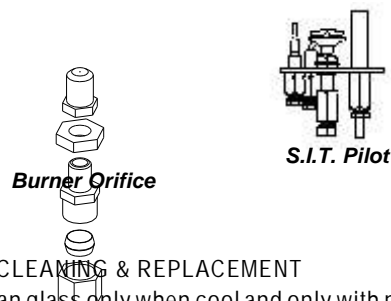
1. Remove the upper grill & glass assembly.
2. For easier access, remove the logs.
3. Cover the millivolt board system.
4. Loosen the nuts securing the baffle at the back of the firebox and remove the baffle.
5. Examine proper sealing of the vent system.
6. Re-install the baffle and secure the nuts - do not over-tighten.
7. Re-install the logs, glass and upper grill.

IMPORTANT: ANY SAFETY SCREEN OR GUARD REMOVED FOR SERVICING MUST BE REPLACED PRIOR TO OPERATING THE APPLIANCE

CAUTION: LABEL ALL WIRES PRIOR TO DISCONNECTION WHEN SERVICING CONTROLS. WIRING ERRORS CAN CAUSE IMPROPER AND DANGEROUS OPERATION. VERIFY PROPER OPERATION AFTER SERVICING.

MILLIVOLT BOARD SYSTEM

1. Annual cleaning of the burner is required. The burner tube / cover may be removed for easier access.
2. Remove the logs.
3. Remove the burner tube / cover by loosening the two nuts securing it to the millivolt board. See page #25.
4. Visually check for blocked port holes, especially near the pilot. Blocked port holes may cause delayed ignition.
5. Visually check the pilot and burner flames when they are burning. See Figures below. The flames should be steady, not lifting or floating.



GLASS CLEANING & REPLACEMENT

- Clean glass only when cool and only with non-abrasive cleansers.
- *Do not* operate this fireplace with the glass/frame assembly removed, cracked or broken.
- The glass assembly, Part #700-07T, shall only be replaced as a complete unit, as supplied by Hussong Mfg. Co., Inc.
- Replacement of the glass & gasket assembly, Part #700-07T, must only be performed by a licensed or qualified service person. **DO NOT SUBSTITUTE MATERIALS.**
- *Do not* strike or slam glass door assembly.

CAUTION: KEEP THE APPLIANCE AREA CLEAR OF COMBUSTIBLE MATERIALS, SUCH AS GASOLINE AND OTHER FLAMMABLE VAPORS AND LIQUIDS.

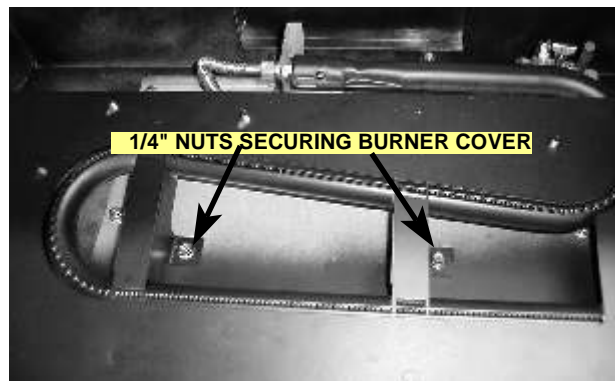
(N) MILLIVOLT BOARD REMOVAL / INSTALLATION

NOTE: The fireplace is equipped with the millivolt board & burner/cover assembly already in position. The millivolt board and burner cover assembly must be secured in place using the nuts supplied with the fireplace. Follow instructions 'INSTALLING THE BOARD' on page #26 to properly secure the board and burner/cover assembly in place. Follow these procedures should the millivolt board need replacing or is removed for servicing.

MILLIVOLT BOARD REMOVAL.

1. Turn the control knob to 'OFF'.
2. Shut off the gas supply at the manual shut-off valve.
3. Disconnect gas line flex tube from the manual shut-off valve.
4. Disconnect any wall switch, remote control or thermostat wires from the valve.
5. Remove the upper grill, glass assembly and logs.
6. Loosen and remove the (2) 1/4" nuts securing the burner cover, Figure 17.
7. Remove the burner / cover assembly by lifting the front up and sliding it off the burner orifice.

Figure 17



8. Remove the pilot shield and set aside. Figure 18A.

Pilot Shield

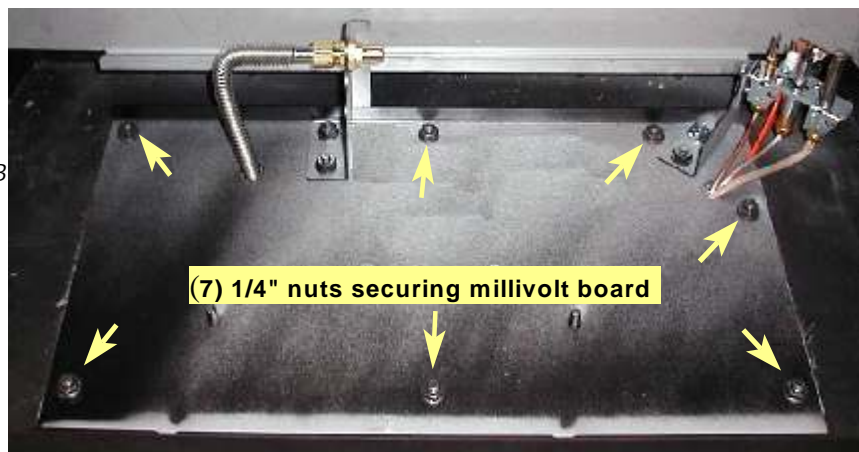
Figure 18A

9. Loosen and remove the (7) 1/4" nuts securing the millivolt board and, while grasping the board, gently lift it off the (7) bolts and remove from the firebox. Figure 18B.

Tab on pilot shield sets inside flange on millivolt board.



Figure 18B



INSTALLING THE BOARD.

NOTE: The millivolt board is fitted with a gasket to seal the millivolt board. Make certain this gasket is properly placed around the opening before installing the millivolt board. If the gasket is damaged a replacement one must be used.

1. Grasp the board with both hands and place into the firebox, lining up the (7) 1/4" holes in the millivolt board to the (7) bolts on the firebox bottom. Refer to Figure 18B.

CAUTION: Before securing the board into place make sure that all of the wires (attached under the board) are clear and unobstructed.

2. Attach the 1/4" nuts (included with the board assembly) and tighten, Figure 18B.
3. Re-install the burner cover assembly onto the board, aligning the mounting holes in the burner brackets to the mounting studs on the bottom of the millivolt board. Ensure that the burner tube is properly seated over the burner orifice. Refer to Figure 17.
4. Secure with the remaining (2) 1/4" nuts.
5. Place pilot shield in position as shown in Figure 18A.
6. Connect the flexible gas line to the manual shut-off valve.
7. Reconnect any remote, wall switch or thermostat wires to the valve.
8. Re-install the logs as described in section 'I'.
9. Re-install the glass assembly and upper grill.

IMPORTANT: CHECK ALL CONNECTIONS WHETHER FIELD OR FACTORY MADE FOR LEAKS.

10. Verify proper ignition, burner operation and log positioning.

(O) TROUBLE SHOOTING GUIDE

NOTE: The millivolt board includes the following items: Valve, pilot assembly, piezo, electrode, pilot shield, on/off rocker switch, burner, & burner orifice. If any of these items are defective, contact your dealer for the appropriate repair / replacement procedures to follow.

WARNING: DO NOT ATTEMPT TO SERVICE THIS FIREPLACE IF YOU ARE NOT A QUALIFIED INSTALLER OR REPAIRMAN.

1. If the fireplace fails to ignite, a qualified service person should check the fireplace installation.
2. It is imperative that the control compartment, burner and circulation air passageways of the fireplace be kept clean. This is necessary to provide adequate combustion and ventilation air.
3. All of the working parts of this fireplace can be removed at one time. Before removing millivolt board, check for loose wires.

PROBLEM

CAUSE

SOLUTION

1. No spark when piezo button is depressed.	Piezo wire connection at valve is loose or off.	Push wire back into place.
	Wire from piezo to electrode is loose at electrode.	Reconnect wire.
	Electrode moved out of position.	Realign electrode with 1/8" space between it & the pilot.
2. Pilot won't light.	Gas shut off.	Turn Gas ON.
	Gas line not purged.	Hold black control knob in long enough to purge line.
	Not holding black control knob in long enough.	Hold in longer.
	No spark at piezo.	See problem #1.
3. Pilot won't stay lit.	Not holding black control knob in long enough.	Hold button in longer to heat thermocouple.
	Thermocouple connection loose at valve connection.	Check connection on valve and tighten if necessary.
	Pilot hood misdirecting pilot flame from thermocouple.	Check pilot flame location. Flame must be burning on generator and thermocouple.
	Refractory panels, optional, not positioned against firebox back & sides.	Secure refractory panels with high-temp sealant.
	Pilot shield not installed or not in proper position.	Install pilot shield and/or ensure proper position.

PROBLEM

CAUSE

SOLUTION

Burner won't light.

Pilot not lit.

Relight pilot.

Regulator valve not turned "ON".

Turn valve to "ON".

Rocker switch not turned "ON".

Press bottom of switch.

Rocker switch wires not connected.

Check wiring diagram below to ensure that all wires are secure.

Generator wires loose at regulator terminals.

Reposition wire and tighten screws. See Figure 19 below for wiring diagram.

Generator wire grounded out due to pinching of wires.

Nuts securing millivolt board may need loosening to remove pinched wire.

Generator is not producing enough millivolts to operate burner.

Replace generator.

Wall switch, remote control or thermostat not connected properly or turned to wrong setting. See page #17.

Connect properly or disconnect and use on/off switch only.

A) Burner won't stay lit.

Generator wires loose on valve terminals.

Reposition wires and tighten screws. See Figure 19 below.

Generator wire grounded out due to pinched wires.

Nuts securing millivolt board may need loosening to remove pinched wire.

Generator is not producing enough millivolts to sustain burner operation.

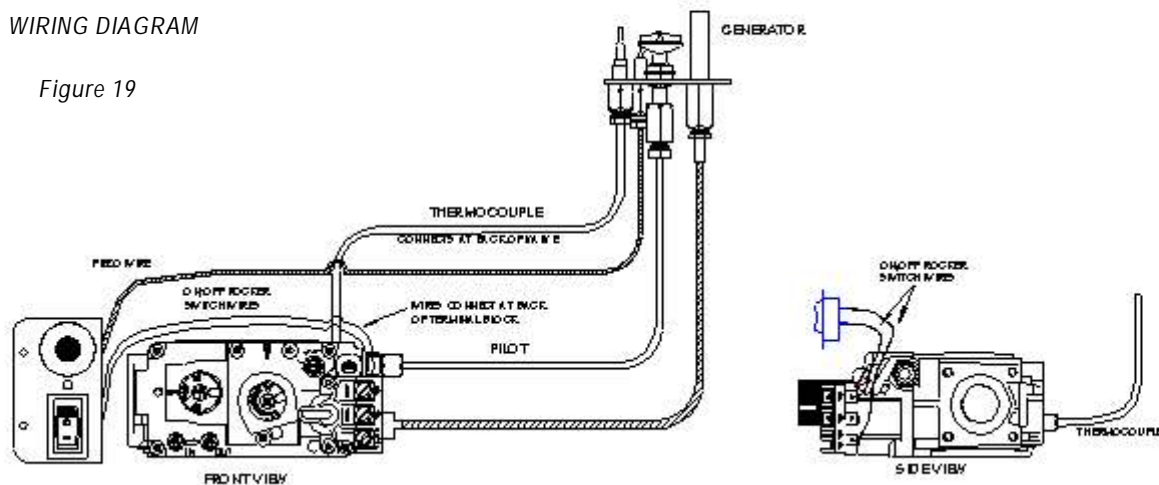
Check millivolt reading, replace generator if necessary.

Refractory panels, optional, not positioned against firebox back & sides.

Secure refractory panels with high-temp sealant.

WIRING DIAGRAM

Figure 19



REPLACEMENT PARTS

Replacement parts are available through your local dealer. Contact them for availability and pricing.

MILLIVOLT BOARD AND PARTS

SP-770	Millivolt Board - Natural Gas	700-098	Pilot Hood
SP-771	Millivolt Board - LP Gas	700-099	Piezo ignitor with nut (no wire)
700-023	On/Off Rocker Switch	700-203	Manual Shut off Valve
700-086A	S.I.T. Gas valve - Natural Gas	700-213B	18" Flexible Gas Line - Black
700-087A	S.I.T. Gas valve - LP Gas	700-224	3/8" Flexible Gas Line - Valve to Burner connection
700-088	Pilot/Generator/Thermocouple - Natural Gas	700-232	Natural Gas orifice #32
700-089	Pilot/Generator/Thermocouple - LP Gas	700-252	LP Gas orifice #52
700-090	Piezo Ignitor w/ wire	OCK-S32A	Natural Gas Conversion Kit
700-091	Flexible Pilot Tubing (Valve to Pilot)	OCK-S52A	LP Gas Conversion Kit
700-092	Millivolt Generator		
700-093	Thermocouple	900-035	Burner tube
700-094	Pilot injector - Natural Gas	SP-135A	Burner plate
700-095	Pilot injector - LP Gas	S36-043A	Pilot Shield

GLASS AND GASKET

SP-005	Replacement glass assembly - includes 17"x30" glass, gasket & frame
700-07T	17" x 30" Glass with gasket
500-404	1 1/8" Glass gasket w/ adhesive

LOG SET

SP-500	Log Set
JA-Log	
LA1-Log	
C-Log	
N-Log	
BL-Log	
JC-Log	
HB-Log	
AP-Log	

900-REMB_ Rock wood embers

REFRACTORY PANELS

SP-G900	3 pc. Refractory Panel set
SP-G900B	Back Refractory Panel
SP-G900S	Side Refractory Panel

KOZY HEAT LIMITED 10 YEAR WARRANTY

Effective July 01, 2003

This Limited 10 Year Warranty will not become effective until the warranty registration form has been completed and mailed to Hussong Manufacturing Co., Inc., P.O. Box 577, Lakefield, MN 56150. This registration form must be received within 30 days of installation. Failure to do so may result in delayed warranty coverage and submission of proof of purchase will be required.

Hussong Manufacturing Co., Inc. warrants to the original purchaser of this Kozy Heat Fireplace, that it is free of defects in materials and workmanship at the time of manufacture.

Subject to the following conditions & requirements, Hussong Manufacturing Co., Inc. extends the following limited warranty under normal use and service, with respect to the Kozy Heat line of gas burning fireplaces.

YEAR 1: Subject to the conditions & requirements listed below, within the first year from date of purchase, Hussong Manufacturing Co., Inc. shall, at its discretion, replace or repair any such defect in material or workmanship, at Hussong Manufacturing Co., Inc.'s expense, including reasonable labor costs to repair or replace the defective component, if a factory pre-authorization is given for the repair.

YEARS 2 - 10: Subject to the conditions & requirements listed below, beginning with the first day of the second year and continuing through the tenth year, Hussong Manufacturing Co., Inc., will at its discretion, provide repair or replacement parts at current list prices for any defect in material or workmanship of components, including optional components and accessories (if available). Hussong Manufacturing Co., Inc. shall not be responsible for any installation, labor, transportation or other indirect costs.

LIMITATION OF LIABILITY

To make a claim under this warranty, the purchaser must first contact the dealer/installer from whom the fireplace was purchased.

This limited warranty will be void if the fireplace is not installed by a qualified installer and according to the installation instructions. Use of unauthorized components will make this warranty null and void.

This limited warranty also is void if the fireplace is not operated, at all times, according to the operating instructions furnished.

This warranty is limited to defects in material and workmanship. It does not apply to any product that has been subject to negligence, misapplication, improper installation. Remote control warranties are covered by Ambient Technologies, Inc., and are excluded from this Limited Warranty.

No person is authorized to extend the time of this warranty or to accept on Hussong Manufacturing Co., Inc.'s behalf any additional obligation of liability connected with the unit.

It is expressly agreed and understood that this warranty is Hussong Manufacturing Co., Inc.'s sole obligation and purchaser's exclusive remedy for defective fireplace equipment. Hussong Manufacturing Co., Inc. shall not be liable for any consequential, incidental or contingent damages whatsoever. The foregoing warranty is exclusive and in lieu of all other expressed warranties. Hussong Manufacturing Co., Inc. shall not be held to implied warranties, including but not limited to the implied warranties of merchantability and fitness for a particular purpose. This warranty replaces all previous warranty policies.

Some states do not allow the exclusion or limitation of incidental or consequential damages or limitations on how long an implied warranty lasts, so the above limitations or exclusions may not apply to you. This warranty gives you specific legal rights and you may also have other rights which vary from state to state.

Hussong Manufacturing Co., Inc. reserves the right to make changes at any time, without notice, in design, material, specifications and prices. Hussong Manufacturing Co., Inc. reserves the right to discontinue models and products.

WARRANTY CONDITIONS & REQUIREMENTS:

1. You are the original purchaser. This warranty is not transferable.
2. Installation of the fireplace is performed by a qualified installer.
3. Installation and operation must comply with installation and operation instructions.
4. Paint and glass gaskets are covered for 30 days from date of purchase.
5. Components broken, (including glass panels), during shipping, careless handling of components, or defects resulting from improper installation, misuse of the fireplace and components are not covered under this warranty.
6. This warranty does not cover any part of the fireplace or any components which have been exposed to or submerged under water.
7. Hussong Manufacturing Co., Inc. must be notified by the dealer the fireplace was purchased from or a qualified installer or service technician of the defect.
8. Annual service of the fireplace as required in the installation manual, is performed by a qualified installer/service technician. (Copies of such service records may be required to claim a warranty.)
9. All previous warranty/service has been performed by a qualified installer or service technician. (Copies of such service records may be required to claim a warranty.)



LIFETIME WARRANTY

THIS LIFETIME WARRANTY COVERAGE WILL BE EXTENDED AS DESCRIBED BELOW PROVIDED ALL WARRANTY CONDITIONS AND REQUIREMENTS ARE MET AS OUTLINED IN THE 10 YEAR LIMITED WARRANTY POLICY.

LIFETIME WARRANTY COVERAGE

LIFETIME WARRANTY IS EXTENDED AS FOLLOWS: Hussong Manufacturing warranties to the original purchaser that the firebox, heat exchanger, fiber logs, burner tube and glass of this Kozy Heat fireplace will not be defective in material or workmanship under normal use and service for as long as you own this product. If any of these components fail due to defects in material or workmanship under normal use and service, Hussong Manufacturing Co., Inc. will, at its sole discretion, repair or replace the defective component. This LIFETIME WARRANTY does not cover any installation, labor, transportation or other indirect costs arising from defective components.

LIMITATION OF LIABILITY

This Lifetime warranty will be void if the fireplace is not installed by a qualified installer and according to the installation instructions. Use of unauthorized components will make this warranty null and void. This lifetime warranty also is void if the fireplace is not operated, at all times, according to the operating instructions furnished. This warranty is limited to defects in material and workmanship of components specified. It does not apply to any product that has been subject to negligence, misapplication, improper installation.

No person is authorized to extend the time of this Lifetime warranty or to accept on Hussong Manufacturing Co., Inc.'s behalf any additional obligation of liability connected with the unit.

Hussong Manufacturing Co., Inc. may fully discharge all obligations with respect to this Lifetime warranty by refunding the wholesale price of the defective component(s).

It is expressly agreed and understood that this Lifetime warranty is Hussong Manufacturing Co., Inc.'s sole obligation and original purchaser's exclusive remedy for defective fireplace equipment. Hussong Manufacturing Co., Inc. shall not be liable for any consequential, incidental or contingent damages whatsoever other than those incurred by Hussong Manufacturing Co., Inc. to repair or replace the defective component. The foregoing warranty is exclusive and in lieu of all other expressed warranties. Hussong Manufacturing Co., Inc. shall not be held to implied warranties, including but not limited to the implied warranties or merchantability and fitness for a particular purpose. This lifetime warranty replaces all previous lifetime warranty policies.

Hussong Manufacturing Co., Inc. reserves the right to make changes at any time, without notice, in design, material, specifications and prices. Hussong Manufacturing Co., Inc. reserves the right to discontinue models and products.

JUNE 1998

(CUT ALONG DOTTED LINE)

TO ACTIVATE THIS LIFETIME WARRANTY COVERAGE, THIS REGISTRATION CARD MUST BE COMPLETED AND MAILED WITH YOUR COMPLETED 10 YEAR LIMITED WARRANTY FORM WITHIN 30 DAYS OF INSTALLATION.

PURCHASER'S NAME: _____

INSTALLATION DATE: _____

ADDRESS: _____

MODEL#: _____ SERIAL #: _____

TELEPHONE # _____

INSTALLER NAME: _____

ADDRESS: _____

TELEPHONE # _____