



## The Innsbrook Direct-Vent Fireplace Insert

Innsbrook 35,000 Btu Direct-Vent Fireplace Insert shown with optional Contemporary Style metal surround.



Warm Up To White Mountain Hearth



Innsbrook 25,000 Btu Direct-Vent Fireplace Insert shown with optional Contemporary Style metal surround.

## Innsbrook Models

An Innsbrook Direct-Vent Insert turns your drafty wood-burning fireplace into an efficient gas-fired heat source.

A wood-burning fireplace sends more than half of its heat up the flue, creating negative pressure in your home, which draws in outside air through gaps in doors and windows that actually makes your home colder. A wood-fire can also create ash and fumes that dirty your home and aggravate your allergies.

The Innsbrook's direct-vent system uses readily available 3-inch flexible co-linear vent pipes. One draws air from outside your home, and the other sends flue products directly outdoors. The flexible metal venting allows the insert to install easily in a site-built or manufactured fireplace.

## Standard Features

An efficient Innsbrook Direct-Vent Insert makes a great supplemental heat source for your home.

We offer the Innsbrook in three sizes to fit most wood-burning fireplaces.

Hand-painted ceramic fiber logs, nestled around a variable flame height burner, combine to create one exceptionally attractive fireplace. With inputs of 25,000 Btu, 33,000 Btu, and 35,000 Btu, the insert's unique stainless steel Slope Glaze Flair Burner design produces natural flickering flames that dance and delight – warming your heart as it warms your soles.

The Innsbrook fireplace insert features all-metal construction with a ceramic fiber Banded Brick Liner, black louvers, and a large heat-resistant ceramic glass window.

The built-in 120 cfm variable-speed blower automatically cycles on and off to gently and quietly circulate the heat.

The slide-on vent plate simplifies installation in tight spaces.

## Options & Accessories

The Innsbrook starts out looking great, but you can make it even better.

The insert includes matte black slat louvers, with optional louvers available in finishes to complement any décor – matte black, hammered pewter, brushed stainless steel, and polished brass. Our louver styles include slat, mission, leaf, and arched.

Your new insert will require a surround kit to conceal the original fireplace opening for a perfectly finished installation. Choose contemporary style steel or our traditional cast iron – both finished in rich matte black.

## Control Options

Lighting and managing a wood fire takes time and work – and more than a little patience to get it right. Your Innsbrook fireplace insert lights at the flick of a switch to produce consistent, reliable heat, even when electric power fails. Add the convenience of an optional thermostat, wireless wall thermostat, remote control, or thermostat remote control, and enjoy all the comfort of a warm cozy fire without the mess and hassle.



**Innsbrook 25,000 Btu Direct-Vent Fireplace Insert with optional Contemporary Style metal surround**



**FREC Remote Control**



**FWS Wall Switch**



**TMV Wall Thermostat**



**FRBTC REmote Control**



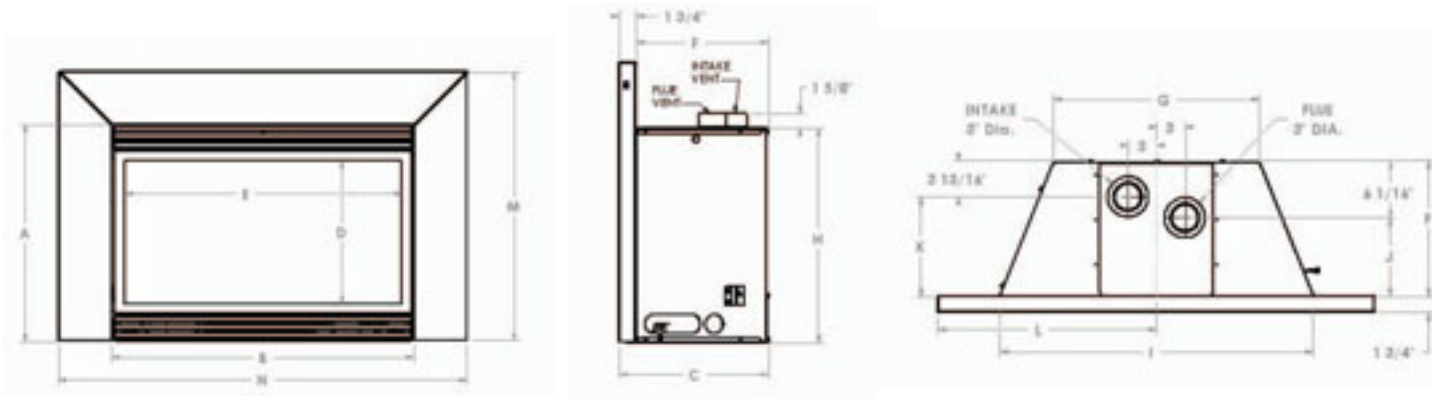
**TRW Wall Thermostat**

## History & Art Come Together

Empire Comfort Systems Inc. has manufactured safe, reliable heating systems for more than 75 years. We take pride in our reputation for quality products, backed by the best sales, service, and distribution network in this industry. The White Mountain Hearth series combines our proven technologies with exceptional artistry and craftsmanship to add beauty and warmth to your home.

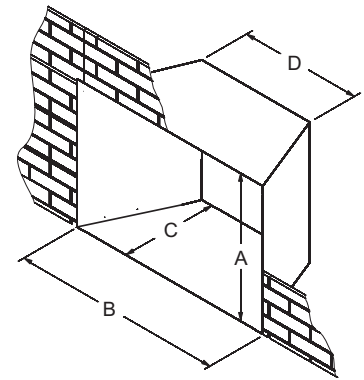
## Innsbrook Insert Dimensions

Model	A	B	C	D	E	F	G	H	I	J	K	L	M	N
DV25IN	19 3/4	28	14 1/2	11 1/8	25 1/4	12 3/4	17	18 5/16	27	6 3/4	9	20	25 5/8	40
DV33IN	22 3/4	31	16	14 1/8	28 1/4	14 1/4	18 3/4	21 5/16	30	8 1/4	10 1/2	21 1/2	28 5/8	43
DV35IN	24 3/4	34	16	16 1/8	31 1/4	14 1/4	21 3/4	23 5/16	33	8 1/4	10 1/2	23	30 5/8	46



## Minimum Fireplace Opening Dimensions

Model	A	B	C	D
DV25IN	19 3/8	28	14 1/2	11 1/8
DV33IN	22 3/8	31	16	14 1/8
DV35IN	24 3/8	34	16	16 1/8



Gas Inlet		Warranty
Type of Gas (State on Order)	Natural or LP	All parts carry a 3-year limited warranty.
Iron Pipe Size (N.P.T.)	1/2 inch	
Ignition System	Standing Pilot/Piezo	

Empire Comfort Systems is committed to continuous product improvement; specifications are subject to change without notice.  
Flame size, shape, and color will vary from photos.



Member of the following industry associations:



This appliance is design-certified to the ANSI standard by:



## Warm Up To White Mountain Hearth

Empire Comfort Systems, Inc. • 918 Freeburg Ave. • Belleville, IL 62222-0529  
618-233-7420 • 800-851-3153 • FAX 618-233-7097 • 800-443-8648  
E-mail: info@empirecomfort.com

WMH-769 Rev D 4/07

The ECS, Empire Comfort Systems and White Mountain Hearth names and logos are registered U.S. trademarks.