



Air Conditioning & Heating

DUAL-REFRIGERANT COILS

CAPF, CAUF, CHPF, & CSCF

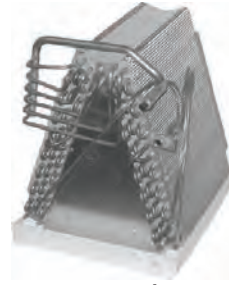
CASED, PAINTED UPFLOW, DOWNFLOW, UNCASED UPFLOW, DOWNFLOW, HORIZONTAL "A" & HORIZONTAL SLAB INDOOR COILS

Standard Features

- Suitable for use with R-410A and R-22 refrigerants
- Rust-resistant, thermoplastic drain pans feature a low water-retention design
- Check flowrater expansion device for heat pump or cooling-only applications
- Riffled aluminum tubing and louvered aluminum fin coils
- AHRI Certified; ETL Listed

Cased Coil Cabinet Features

- Foil-face insulation
- Galvanized-steel, leather-grain finish
- Architectural Gray paint finish on C*PF cased coils
- Split-seam front for easy access
- 17½", 21", and 24½" CHPF coils have one 3½" adapter plate
- 17½", 21", and 24½" CAPF coils have two 1¾" adapter plates



CAUF Uncased



CAPF Cased



CHPF Horizontal "A"

CSCF Horizontal Slab



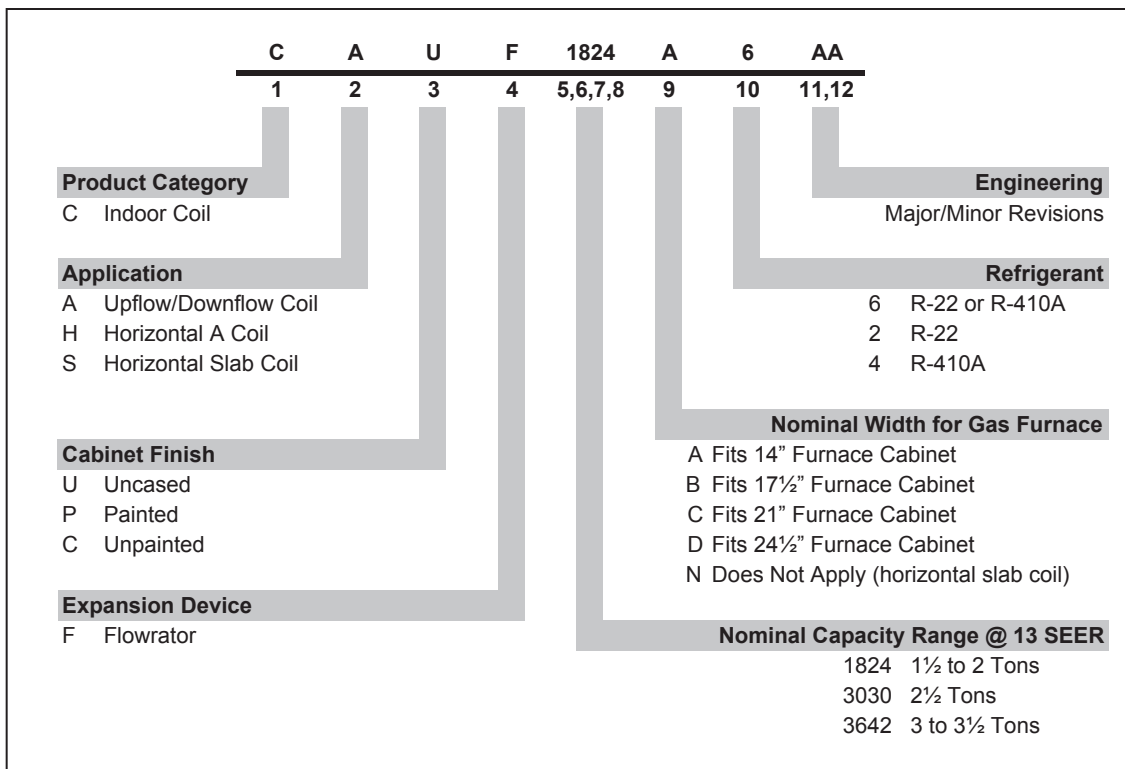
Note: Do not use these coils on oil furnaces or any applications where the temperature on the drain pan may exceed 300° F. If these coils are applied with an oil furnace or another application where high temperatures threaten or jeopardize the durability of the drain pan, you must replace the factory-installed drain pan with a high-temperature drain pan. High-temperature drain pan kits are available as field-installed accessories.



* Complete warranty details available from your local dealer or at www.goodmanmfg.com. To receive the 10-Year Parts Limited Warranty, online registration must be completed within 60 days of installation. Online registration is not required in California or Québec.



NOMENCLATURE



ACCESSORIES

EXPANSION VALVE KITS

KIT NUMBER	DESCRIPTION	APPLICATION	REFRIGERANT	TONNAGE: OUTDOOR UNIT
XVB18-36C	20% Bleed Valve	AC Only	R-22	1½ - 3 Ton
XVB42-60C	20% Bleed Valve	AC Only	R-22	3½ - 5 Ton
XV18-36C	Non-bleed Valve	AC Only	R-22	1½ - 3 Ton
XV42-60C	Non-bleed Valve	AC Only	R-22	3½ - 5 Ton
TX2N2	Non-bleed Valve	AC or HP	R-22	1½ - 2 Ton
TX3N2	Non-bleed Valve	AC or HP	R-22	2½ - 3 Ton
TX5N2	Non-bleed Valve	AC or HP	R-22	3½ - 5 Ton
TX2N4A	Non-bleed Valve	AC or HP	R-410A	1½ - 2 Ton
TX3N4	Non-bleed Valve	AC or HP	R-410A	2½ - 3 Ton
TX5N4	Non-bleed Valve	AC or HP	R-410A	3½ - 5 Ton

Note: Condensing units and heat pumps with reciprocating compressors require the use of start-assist components when used in conjunction with an indoor coil using a non-bleed thermal expansion valve refrigerant metering device.

HIGH-TEMP DRAIN PAN KITS

DRAIN PAN KITS	FURNACE SIZE
HTP-A	14" furnaces
HTP-B	17½" furnaces
HTP-C	21" furnaces
HTP-D	24½" furnaces

CAUF — UNCASD UPFLOW/DOWNFLOW INDOOR COILS

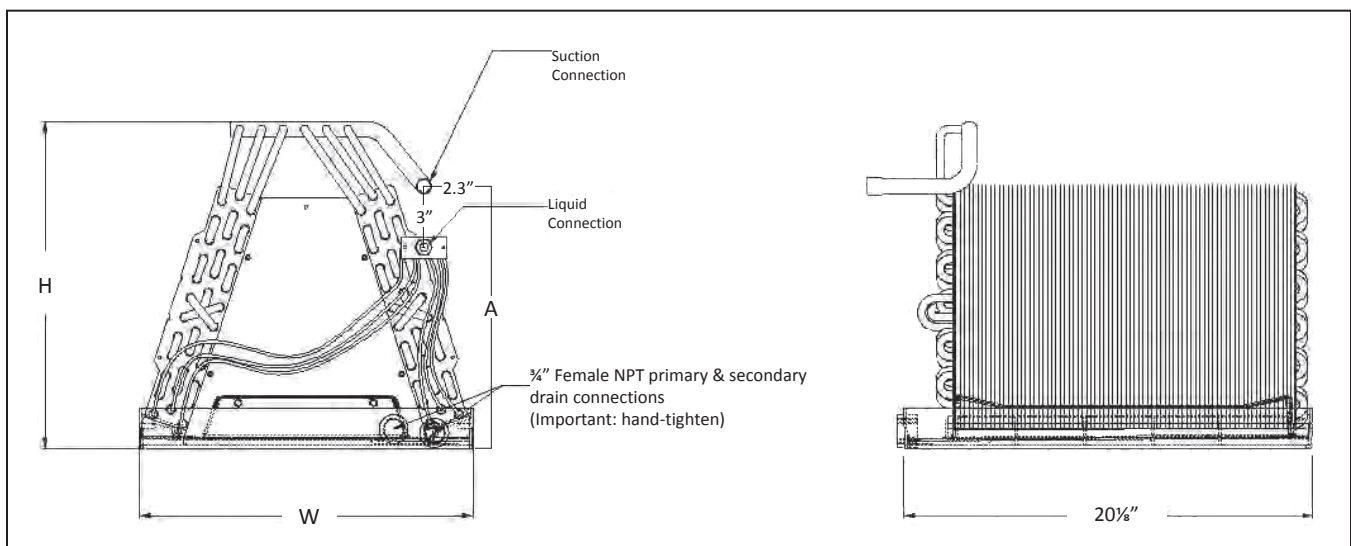


SPECIFICATIONS

MODEL	DIMENSIONS			NOMINAL TONS	CONNECTION		SHIP WEIGHT (LBS)
	W	H	A		LIQUID	SUCTION	
CAUF1824A6	13"	16¼"	13"	1½-2	⅜"	¾"	17
CAUF1824B6	16½"	16⅝"	13"	1½-2	⅜"	¾"	20
CAUF1824C6	20"	16⅞"	17"	1½-2	⅜"	¾"	24
CAUF3030A6	13"	20⅞"	17"	2½	⅜"	¾"	20
CAUF3030B6	16½"	18¾"	17"	2½	⅜"	¾"	23
CAUF3030C6	20"	17⅞"	17"	2½	⅜"	¾"	27
CAUF3030D6	23"	17⅞"	17"	2½	⅜"	¾"	30
CAUF3131B6	16½"	20⅞"	17"	2½	⅜"	¾"	25
CAUF3131C6	20"	20"	17"	2½	⅜"	⅞"	28
CAUF3636A6	13"	19½"	17"	3	⅜"	⅞"	23
CAUF3636B6	16½"	19⅞"	17"	3	⅜"	⅞"	29
CAUF3636C6	20"	19⅞"	17"	3	⅜"	⅞"	33
CAUF3636D6	23"	19⅞"	17"	3	⅜"	⅞"	36
CAUF3642C6	20"	19"	17"	3-3½	⅜"	⅞"	28
CAUF3642D6	23"	19⅞"	17"	3-3½	⅜"	⅞"	29
CAUF3743C6	20"	28⅞"	25"	3-3½	⅜"	⅞"	40
CAUF3743D6	23"	27⅞"	25"	3-3½	⅜"	⅞"	42
CAUF4860C6	20"	28"	25"	4-5	⅜"	⅞"	41
CAUF4860D6	23"	28"	25"	4-5	⅜"	⅞"	44
CAUF4961C6	20"	28"	25"	4-5	⅜"	⅞"	46
CAUF4961D6	23"	27"	25"	4-5	⅜"	⅞"	50

Note: For a properly matched system, refer to specification sheet of the corresponding Goodman® outdoor unit.

DIMENSIONS



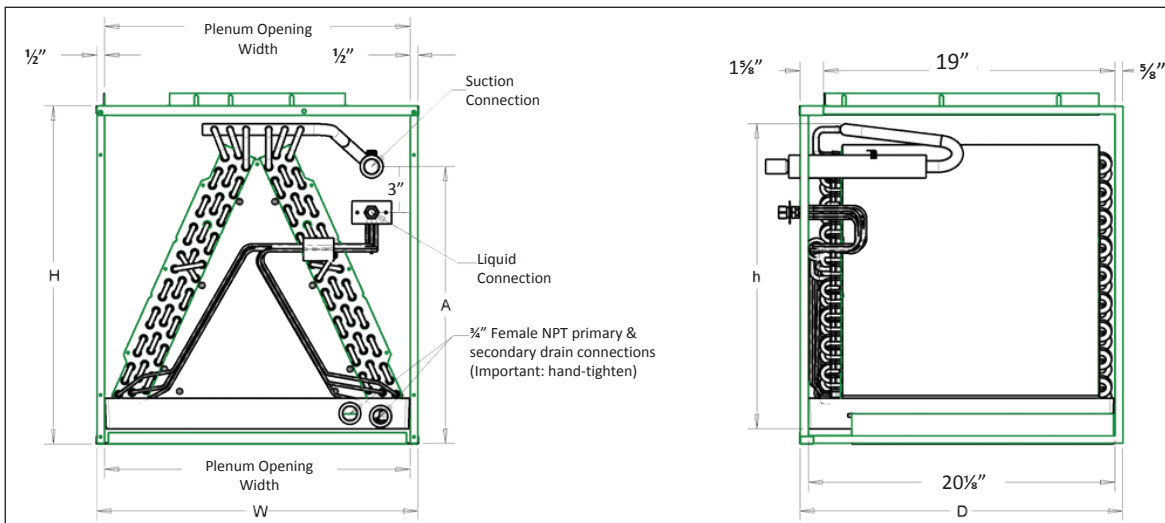
CAPF — CASED UPFLOW/DOWNFLOW INDOOR COILS



SPECIFICATIONS

MODEL	CABINET DIMENSIONS				PLENUM WIDTH	COIL DIMENSIONS		NOMINAL TONS	CONNECTION		SHIP WEIGHT (LBS)
	W	D	H	h		W	H		LIQUID	SUCTION	
CAPF1824A6	14"	21"	18"	16 $\frac{3}{4}$ "	13"	16 $\frac{3}{4}$ "	14"	1 $\frac{1}{2}$ -2	$\frac{3}{8}$ "	$\frac{3}{4}$ "	32
CAPF1824B6	17 $\frac{1}{2}$ "	21"	18"	16 $\frac{3}{8}$ "	16 $\frac{1}{2}$ "	16 $\frac{3}{4}$ "	16"	1 $\frac{1}{2}$ -2	$\frac{3}{8}$ "	$\frac{3}{4}$ "	37
CAPF1824C6	21"	21"	22"	16 $\frac{3}{8}$ "	20"	16 $\frac{3}{4}$ "	14"	1 $\frac{1}{2}$ -2	$\frac{3}{8}$ "	$\frac{3}{4}$ "	41
CAPF3030A6	14"	21"	22"	20 $\frac{1}{16}$ "	13"	16 $\frac{3}{4}$ "	16"	2 $\frac{1}{2}$	$\frac{3}{8}$ "	$\frac{3}{4}$ "	36
CAPF3030B6	17 $\frac{1}{2}$ "	21"	22"	18 $\frac{3}{4}$ "	16 $\frac{1}{2}$ "	16 $\frac{3}{4}$ "	16"	2 $\frac{1}{2}$	$\frac{3}{8}$ "	$\frac{3}{4}$ "	40
CAPF3030C6	21"	21"	22"	17 $\frac{7}{8}$ "	20"	16 $\frac{3}{4}$ "	16"	2 $\frac{1}{2}$	$\frac{3}{8}$ "	$\frac{3}{4}$ "	44
CAPF3030D6	24 $\frac{1}{2}$ "	21"	22"	17 $\frac{7}{8}$ "	23 $\frac{1}{2}$ "	16 $\frac{3}{4}$ "	16"	2 $\frac{1}{2}$	$\frac{3}{8}$ "	$\frac{3}{4}$ "	49
CAPF3131B6	17 $\frac{1}{2}$ "	21"	22"	20 $\frac{1}{16}$ "	16 $\frac{1}{2}$ "	16 $\frac{3}{4}$ "	18"	2 $\frac{1}{2}$	$\frac{3}{8}$ "	$\frac{3}{4}$ "	42
CAPF3131C6	21"	21"	26"	20"	20"	16 $\frac{3}{4}$ "	20"	2 $\frac{1}{2}$	$\frac{3}{8}$ "	$\frac{7}{8}$ "	47
CAPF3636A6	14"	21"	22"	19 $\frac{1}{2}$ "	13"	16 $\frac{3}{4}$ "	16"	3	$\frac{3}{8}$ "	$\frac{7}{8}$ "	39
CAPF3636B6	17 $\frac{1}{2}$ "	21"	22"	19 $\frac{3}{8}$ "	16 $\frac{1}{2}$ "	16 $\frac{3}{4}$ "	16"	3	$\frac{3}{8}$ "	$\frac{7}{8}$ "	47
CAPF3636C6	21"	21"	22"	19 $\frac{3}{8}$ "	20"	16 $\frac{3}{4}$ "	16"	3	$\frac{3}{8}$ "	$\frac{7}{8}$ "	53
CAPF3636D6	24 $\frac{1}{2}$ "	21"	22"	19 $\frac{3}{8}$ "	23 $\frac{1}{2}$ "	16 $\frac{3}{4}$ "	16"	3	$\frac{3}{8}$ "	$\frac{7}{8}$ "	56
CAPF3642C6	21"	21"	22"	19"	20"	16 $\frac{3}{4}$ "	18"	3-3 $\frac{1}{2}$	$\frac{3}{8}$ "	$\frac{7}{8}$ "	54
CAPF3642D6	24 $\frac{1}{2}$ "	21"	22"	19 $\frac{3}{8}$ "	23 $\frac{1}{2}$ "	16 $\frac{3}{4}$ "	18"	3-3 $\frac{1}{2}$	$\frac{3}{8}$ "	$\frac{7}{8}$ "	57
CAPF3743C6	21"	21"	30"	28 $\frac{1}{16}$ "	20"	16 $\frac{3}{4}$ "	26"	3-3 $\frac{1}{2}$	$\frac{3}{8}$ "	$\frac{7}{8}$ "	65
CAPF3743D6	24 $\frac{1}{2}$ "	21"	30"	27 $\frac{3}{8}$ "	23 $\frac{1}{2}$ "	16 $\frac{3}{4}$ "	26"	3-3 $\frac{1}{2}$	$\frac{3}{8}$ "	$\frac{7}{8}$ "	72
CAPF4860C6	21"	21"	30"	28"	20"	16 $\frac{3}{4}$ "	26"	4-5	$\frac{3}{8}$ "	$\frac{7}{8}$ "	66
CAPF4860D6	24 $\frac{1}{2}$ "	21"	30"	28"	23 $\frac{1}{2}$ "	16 $\frac{3}{4}$ "	26"	4-5	$\frac{3}{8}$ "	$\frac{7}{8}$ "	73
CAPF4961C6	21"	21"	30"	28"	20"	16 $\frac{3}{4}$ "	26"	4-5	$\frac{3}{8}$ "	$\frac{7}{8}$ "	73
CAPF4961D6	24 $\frac{1}{2}$ "	21"	30"	27"	23 $\frac{1}{2}$ "	16 $\frac{3}{4}$ "	26"	4-5	$\frac{3}{8}$ "	$\frac{7}{8}$ "	81

DIMENSIONS



CHPF — CASED HORIZONTAL “A” INDOOR COIL

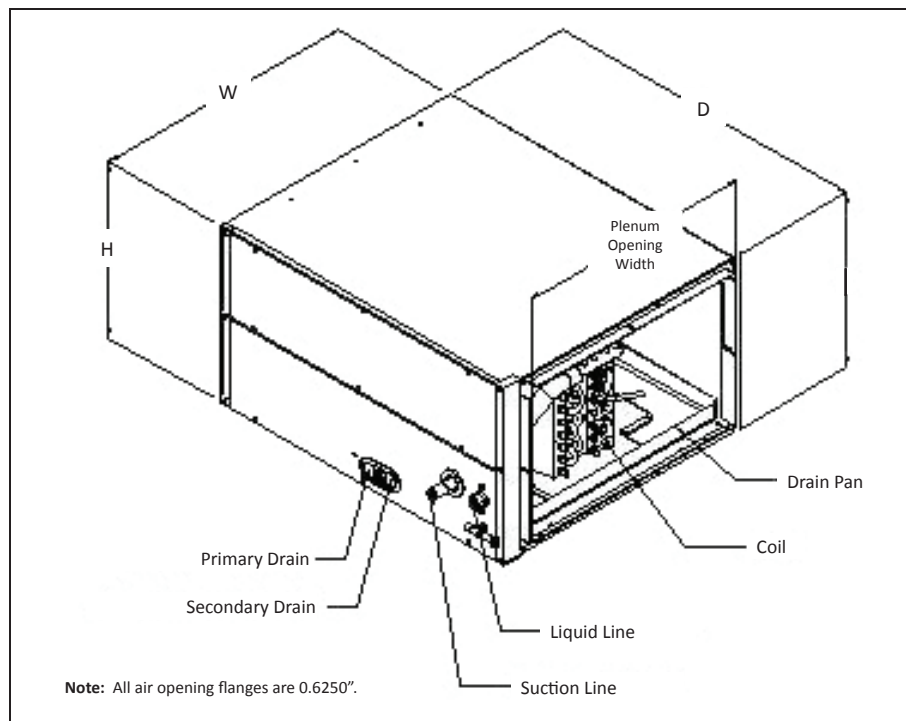


SPECIFICATIONS

MODEL	CABINET DIMENSIONS			PLENUM		NOMINAL TONS	EVAP COIL FACE AREA*	COIL DIMENSIONS		CONNECTION		SHIP WEIGHT (LBS)
	W	D	H	W	H			W	H	LIQUID	SUCTION	
CHPF1824A6	21 $\frac{1}{8}$ "	26"	14"	19"	13"	1 $\frac{1}{2}$ -2	3 $\frac{1}{3}$	20 $\frac{1}{8}$ "	12"	$\frac{3}{8}$ "	$\frac{3}{4}$ "	36
CHPF2430B6	21 $\frac{1}{8}$ "	26"	17 $\frac{1}{2}$ "	19"	16 $\frac{1}{2}$ "	2-2 $\frac{1}{2}$	4 $\frac{1}{2}$	20 $\frac{1}{8}$ "	16"	$\frac{3}{8}$ "	$\frac{3}{4}$ "	55
CHPF3636B6	21 $\frac{1}{8}$ "	26"	17 $\frac{1}{2}$ "	19"	16 $\frac{1}{2}$ "	3	4 $\frac{1}{3}$	19 $\frac{1}{2}$ "	16"	$\frac{3}{8}$ "	$\frac{7}{8}$ "	50
CHPF3642C6	21 $\frac{1}{8}$ "	26"	21"	19"	20"	3-3 $\frac{1}{2}$	4 $\frac{1}{3}$	19 $\frac{1}{2}$ "	16"	$\frac{3}{8}$ "	$\frac{7}{8}$ "	63
CHPF3642D6	21 $\frac{1}{8}$ "	26"	24 $\frac{1}{2}$ "	19"	23 $\frac{1}{2}$ "	3-3 $\frac{1}{2}$	6	19 $\frac{1}{2}$ "	22"	$\frac{3}{8}$ "	$\frac{7}{8}$ "	66
CHPF3743C6	21 $\frac{1}{8}$ "	26"	21"	19"	20"	3-3 $\frac{1}{2}$	4 $\frac{1}{3}$	19 $\frac{1}{2}$ "	16"	$\frac{3}{8}$ "	$\frac{7}{8}$ "	63
CHPF3743D6	21 $\frac{1}{8}$ "	26"	24 $\frac{1}{2}$ "	19"	23 $\frac{1}{2}$ "	3-3 $\frac{1}{2}$	6	19 $\frac{1}{2}$ "	22"	$\frac{3}{8}$ "	$\frac{7}{8}$ "	63
CHPF4860D6	21 $\frac{1}{8}$ "	26"	24 $\frac{1}{2}$ "	19"	23 $\frac{1}{2}$ "	4-5	6	19 $\frac{1}{2}$ "	22"	$\frac{3}{8}$ "	$\frac{7}{8}$ "	77

* (ft²)

DIMENSIONS



CSCF — HORIZONTAL SLAB EVAPORATOR COILS

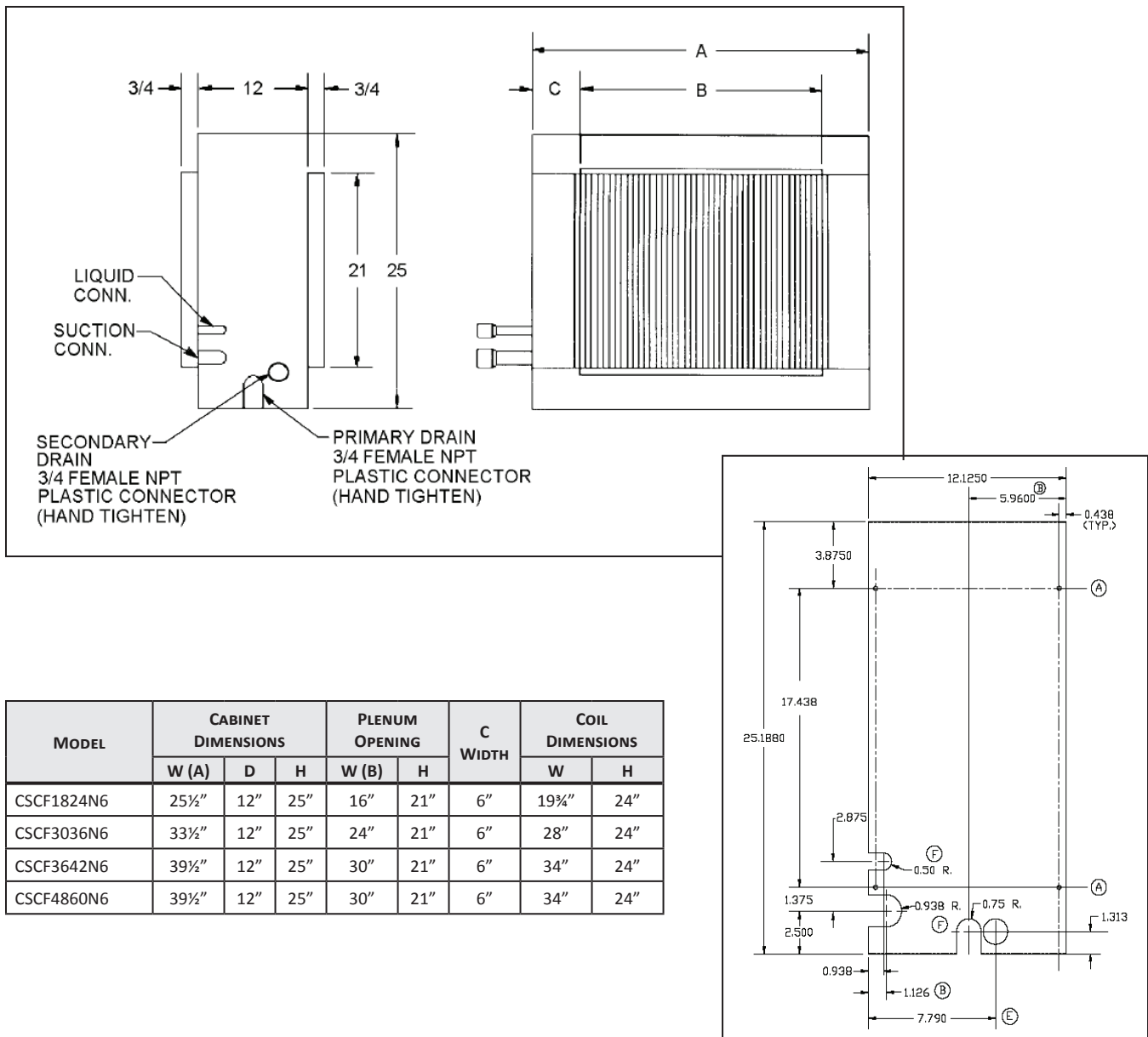


SPECIFICATIONS

MODEL	CAPACITY (TONS)	EVAP COIL FACE AREA*	CONNECTION SIZE		SHIP WEIGHT (LBS)
			LIQUID	SUCTION	
CSCF1824N6	1½-2	3⅓	⅜"	¼"	37
CSCF3036N6	2½-3	4⅓	⅜"	⅞"	44
CSCF3642N6	3-3½	5⅓	⅜"	⅞"	54
CSCF4860N6	4-5	5⅓	⅜"	⅞"	60

* (ft²)

DIMENSIONS



MODEL	CABINET DIMENSIONS			PLENUM OPENING		C WIDTH	COIL DIMENSIONS	
	W (A)	D	H	W (B)	H		W	H
CSCF1824N6	25½"	12"	25"	16"	21"	6"	19¼"	24"
CSCF3036N6	33½"	12"	25"	24"	21"	6"	28"	24"
CSCF3642N6	39½"	12"	25"	30"	21"	6"	34"	24"
CSCF4860N6	39½"	12"	25"	30"	21"	6"	34"	24"

DETAIL OF ACCESS DOOR

AIRFLOW DATA FOR CA*F

AIR QUANTITY (SCFM) VS. PRESSURE DROP (IN. WC)

SCFM		400	500	600	700	800	900	1000	1100	1200								
CA*F1824A6*	Wet	0.071	0.099	0.142	0.183	0.230	0.280	0.331	0.389	---								
	Dry	0.062	0.090	0.122	0.154	0.189	0.231	0.278	0.331	0.390								
CA*F1824B6*	Wet	0.021	0.032	0.049	0.071	0.089	0.120	0.128	0.159	0.190								
	Dry	0.011	0.022	0.029	0.041	0.052	0.069	0.078	0.101	0.120								
CA*F1824C6*	Wet	0.017	0.025	0.043	0.061	0.079	0.107	0.114	0.140	0.164								
	Dry	0.011	0.017	0.024	0.035	0.044	0.063	0.075	0.094	0.113								
SCFM		600	700	800	900	1000	1100	1200	1300	1400	1500							
CA*F3030A6*	Wet	0.151	0.173	0.204	0.238	0.267	0.281	0.326	0.380	0.406	0.451							
	Dry	0.069	0.083	0.117	0.132	0.148	0.183	0.206	0.239	0.290	0.338							
CA*F3030B6*	Wet	0.090	0.120	0.150	0.180	0.210	0.240	0.280	0.330	0.370	0.420							
	Dry	0.080	0.100	0.130	0.150	0.180	0.210	0.250	0.280	0.320	0.360							
CA*F3030C6*	Wet	0.071	0.087	0.120	0.134	0.155	0.180	0.209	0.249	0.284	0.328							
	Dry	0.050	0.067	0.098	0.113	0.135	0.169	0.189	0.213	0.245	0.275							
CA*F3030D6*	Wet	0.069	0.060	0.090	0.108	0.136	0.168	0.206	0.244	0.288	0.337							
	Dry	0.029	0.043	0.070	0.082	0.098	0.125	0.141	0.153	0.177	0.200							
SCFM		600	700	800	900	1000	1100	1200	1300	1400	1500	1600						
CA*F3131B26*	Wet	0.041	0.049	0.061	0.078	0.090	0.113	0.131	0.140	0.162	0.178	0.210						
	Dry	0.021	0.031	0.039	0.048	0.061	0.072	0.079	0.091	0.110	0.122	0.141						
CA*F3131C6*	Wet	0.035	0.034	0.038	0.051	0.059	0.073	0.087	0.094	0.110	0.125	0.145						
	Dry	0.014	0.022	0.028	0.036	0.045	0.054	0.061	0.068	0.081	0.091	0.108						
SCFM		600	700	800	900	1000	1100	1200	1300	1400	1500	1600	1700	1800	1900	2000	2100	2200
CA*F3636A6*	Wet	0.13	0.17	0.220	0.280	0.310	0.380	0.450	0.530	0.610	0.690	0.790	0.870	0.910	0.950	1.030	1.130	1.190
	Dry	0.13	0.16	0.200	0.230	0.280	0.320	0.380	0.450	0.520	0.590	0.670	0.710	0.790	0.870	0.970	1.060	1.160
CA*F3636B6*	Wet	0.11	0.13	0.160	0.180	0.220	0.260	0.300	0.350	0.400	0.460	0.520	0.570	0.600	0.660	0.720	0.790	0.850
	Dry	0.11	0.13	0.160	0.170	0.210	0.240	0.270	0.330	0.370	0.420	0.470	0.520	0.550	0.610	0.660	0.720	0.770
CA*F3636C6*	Wet	0.1	0.12	0.160	0.170	0.210	0.250	0.290	0.340	0.380	0.430	0.480	0.540	0.550	0.610	0.670	0.720	0.780
	Dry	0.09	0.11	0.130	0.140	0.160	0.180	0.220	0.250	0.280	0.320	0.350	0.370	0.410	0.450	0.490	0.530	0.570
CA*F3636D6*	Wet	0.08	0.11	0.130	0.140	0.170	0.200	0.230	0.270	0.310	0.350	0.390	0.430	0.460	0.500	0.560	0.620	0.660
	Dry	0.09	0.11	0.130	0.140	0.160	0.190	0.220	0.240	0.270	0.300	0.340	0.380	0.410	0.440	0.490	0.530	0.580
SCFM		600	700	800	900	1000	1100	1200	1300	1400	1500	1600	1700	1800	1900	2000	2100	2200
CA*F3642C6*	Wet	0.07	0.09	0.110	0.120	0.140	0.170	0.200	0.230	0.260	0.290	0.330	0.360	0.380	0.420	0.460	0.500	0.540
	Dry	0.07	0.08	0.100	0.110	0.130	0.150	0.170	0.200	0.230	0.250	0.280	0.310	0.330	0.370	0.400	0.430	0.470
CA*F3642D6*	Wet	0.07	0.09	0.110	0.110	0.140	0.160	0.190	0.210	0.240	0.270	0.300	0.330	0.350	0.380	0.420	0.460	0.480
	Dry	0.06	0.08	0.090	0.100	0.110	0.130	0.150	0.170	0.190	0.220	0.240	0.260	0.280	0.300	0.330	0.360	0.390
SCFM		800	900	1000	1100	1200	1300	1400	1500	1600	1700	1800	1900	2000	2100	2200		
CA*F3743C6*	Wet	0.083	0.093	0.113	0.133	0.143	0.163	0.183	0.213	0.243	0.263	0.293	0.323	0.353	0.383	0.423		
	Dry	0.073	0.083	0.103	0.113	0.133	0.153	0.163	0.193	0.213	0.233	0.263	0.293	0.313	0.343	0.373		
CA*F3743D6*	Wet	0.074	0.080	0.089	0.107	0.120	0.129	0.138	0.169	0.188	0.209	0.229	0.251	0.273	0.279	0.306		
	Dry	0.046	0.056	0.074	0.076	0.086	0.107	0.110	0.126	0.147	0.160	0.176	0.196	0.210	0.230	0.253		
SCFM		1000	1100	1200	1300	1400	1500	1600	1700	1800	1900	2000	2100	2200				
CA*F4860C6*	Wet	0.167	0.175	0.191	0.244	0.266	0.299	0.355	0.370	0.413	0.454	0.498	0.586	0.601				
	Dry	0.160	0.157	0.194	0.206	0.246	0.264	0.220	0.265	0.290	0.309	0.364	0.389	0.562				
CA*F4860D6*	Wet	0.138	0.156	0.177	0.196	0.226	0.247	0.275	0.298	0.327	0.349	0.395	0.460	0.485				
	Dry	0.126	0.138	0.157	0.176	0.187	0.200	0.180	0.210	0.230	0.250	0.280	0.300	0.417				
SCFM		1000	1100	1200	1300	1400	1500	1600	1700	1800	1900	2000	2100	2200				
CA*F4961C6*	Wet	0.209	0.217	0.233	0.286	0.308	0.341	0.397	0.412	0.455	0.496	0.540	0.628	0.643				
	Dry	0.202	0.199	0.236	0.248	0.288	0.306	0.262	0.307	0.332	0.351	0.406	0.431	0.604				
CA*F4961D6*	Wet	0.140	0.158	0.179	0.198	0.228	0.249	0.277	0.300	0.329	0.351	0.397	0.462	0.487				
	Dry	0.128	0.140	0.159	0.178	0.189	0.202	0.182	0.212	0.232	0.252	0.282	0.302	0.419				

AIRFLOW DATA FOR CHPF

AIR QUANTITY (SCFM) VS. PRESSURE DROP (IN. WC)

	SCFM	600	700	800	900	1000	1100	1200	1300	1400						
CHPF 1824A6*	Wet	0.132	0.179	0.222	0.272	0.327	0.381	0.456	0.522	0.605						
	Dry	0.126	0.165	0.206	0.249	0.302	0.354	0.414	0.478	0.563						
	SCFM	600	700	800	900	1000	1100	1200	1300	1400	1500	1600				
CHPF 2430B6*	Wet	0.106	0.124	0.152	0.184	0.218	0.258	0.301	0.350	0.406	0.460	0.514				
	Dry	0.101	0.122	0.145	0.174	0.209	0.247	0.288	0.333	0.381	0.428	0.484				
	SCFM	600	700	800	900	1000	1100	1200	1300	1400	1500	1600				
CHPF 3636B6*	Wet	0.107	0.131	0.167	0.199	0.239	0.291	0.338	0.389	0.439	0.494	0.552				
	Dry	0.102	0.126	0.152	0.184	0.220	0.259	0.303	0.349	0.401	0.458	0.516				
	SCFM	800	900	1000	1100	1200	1300	1400	1500	1600	1700	1800	1900	2000	2100	2200
CHPF 3642C6*	Wet	0.083	0.103	0.126	0.151	0.178	0.208	0.240	0.274	0.310	0.346	0.383	---	---	---	---
	Dry	0.073	0.096	0.120	0.144	0.169	0.196	0.224	0.254	0.286	0.319	0.354	---	---	---	---
CHPF 3642D6*	Wet	0.030	0.040	0.040	0.050	0.060	0.070	0.080	0.080	0.090	0.100	0.110	0.130	0.140	0.150	0.160
	Dry	0.040	0.050	0.060	0.070	0.080	0.080	0.090	0.100	0.110	0.120	0.120	0.120	0.150	0.160	0.180
	SCFM	800	900	1000	1100	1200	1300	1400	1500	1600	1700	1800	1900	2000	2100	2200
CHPF 3743C6*	Wet	0.133	0.153	0.176	0.201	0.228	0.258	0.290	0.324	0.360	0.396	0.433	---	---	---	---
	Dry	0.123	0.146	0.170	0.194	0.219	0.246	0.274	0.304	0.336	0.369	0.404	---	---	---	---
CHPF 3743D6*	Wet	0.101	0.105	0.115	0.125	0.145	0.165	0.185	0.215	0.235	0.265	0.295	0.315	0.355	0.375	0.405
	Dry	0.072	0.095	0.105	0.115	0.135	0.155	0.185	0.205	0.225	0.255	0.275	0.305	0.335	0.365	0.395
	SCFM	900	1000	1100	1200	1300	1400	1500	1600	1700	1800	1900	2000	2100	2200	
CHPF 4860D6*	Wet	0.101	0.121	0.131	0.161	0.181	0.201	0.231	0.261	0.291	0.321	0.361	0.391	0.431	0.471	
	Dry	0.101	0.121	0.141	0.161	0.181	0.201	0.221	0.251	0.281	0.311	0.341	0.371	0.411	0.441	

AIRFLOW DATA FOR CSCF

AIR QUANTITY (SCFM) VS. PRESSURE DROP (IN. WC)

	SCFM	500	600	700	800	900	1000	1100	1200										
CSCF18 24N6D*	Wet	0.104	0.143	0.176	0.212	0.255	0.292	0.321	0.344										
	Dry	0.048	0.067	0.086	0.108	0.132	0.159	0.186	0.206										
	SCFM			700	800	900	1000	1100	1200	1300	1400								
CSCF30 36N6D*	Wet			0.062	0.076	0.092	0.109	0.131	0.156	0.186	0.209								
	Dry			0.032	0.043	0.055	0.068	0.082	0.099	0.114	0.131								
	SCFM				800	900	1000	1100	1200	1300	1400	1500	1600	1700	1800	1900	2000	2100	2200
CSCF36 42N6D*	Wet				0.045	0.063	0.081	0.099	0.116	0.132	0.148	0.166	0.183	0.202	0.22	0.236	0.259	0.278	0.291
	Dry				0.039	0.051	0.064	0.077	0.092	0.105	0.121	0.138	0.15	0.175	0.191	0.214	0.23	0.251	0.262
	SCFM				800	900	1000	1100	1200	1300	1400	1500	1600	1700	1800	1900	2000	2100	2200
CSCF48 60N6D*	Wet				0.051	0.068	0.085	0.103	0.12	0.137	0.154	0.173	0.192	0.212	0.233	0.255	0.278	0.299	0.319
	Dry				0.043	0.056	0.069	0.084	0.099	0.115	0.132	0.149	0.167	0.185	0.207	0.227	0.249	0.272	.282**

** Maximum SCFM = 2146



Goodman Manufacturing Company, L.P. reserves the right to discontinue, or change at any time, specifications or designs without notice or without incurring obligations. © 2011 • Goodman Manufacturing Company, L.P. • Houston, Texas • Printed in the USA.

