

The Cadet Garage/Utility Heater

Great for garages and shops - CGH402



CADET
SAFETY & QUALITY



Features and Benefits

- Thermal Safeguard
 - High temperature manual reset: turns off heater if normal operating temperatures are exceeded
- Open airflow design reduces debris build up
- Finned steel tubular heating element
- Built-in single pole thermostat with mechanical "OFF" position
- Portable, great for garages and workshops
- 6 foot cord with polarized plug for 240V use
- Bracket for floor, wall, or ceiling mount

General Information:

The CGH402 240 volt portable garage heater is designed with rugged, durable construction. The open airflow design reduces debris build up, and provides warmth for large areas that are often difficult to heat, like garages and workshops. The CGH402 is for floor or flat surface mounting, but can be mounted on wall or ceiling with proper anchoring provisions. The area must be equipped with an accessible 240 volt receptacle.

Architectural Information:

Portable fan unit heater shall be UL listed and rated at 240V. External cabinet shall be constructed of 20 gauge high quality steel and shall be finished with a baked on powder coat paint. Fan shall be aluminum blade axial flow type and mounted directly to the motor shaft. Motor shall be shaded pole. Heating elements shall be sealed in magnesium oxide powder and protected by metal sheathing and spiral fins. Heater shall be equipped with a manual reset thermal cutout for over temperature protection. Fan motor circuits shall be thermostatically controlled.

Carton Details

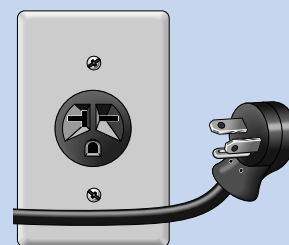
Complete Unit Carton

DIMENSIONS | 12.4"W x 14.4"H x 17.1"D

PALLET QTY. | 18

CUBE | 1.77

Receptacle/Plug Configuration



20 AMP - CGH402

*Requires NEMA #6-20 Receptacle

CGH402



PHONE 360.693.2505
 FAX 360.694.8668
 WEB www.cadetco.com

Technical Information:

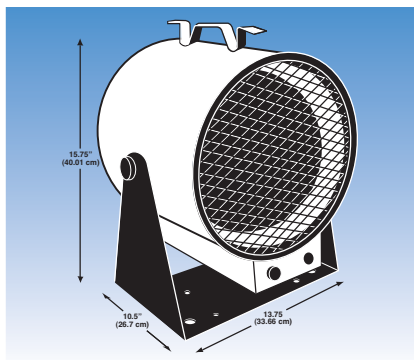
Unit includes a built-in single pole thermostat. UL requires a 3' minimum clearance from front. For optimum performance Cadet recommends 12" from back and top, and 12" from sides. Heater must be kept clean of lint, dirt, and debris.

Ordering Information:

Standard color for the CGH402 heater is red with black detail.

UPC Code			WATTS			AMPS			Wt./Lbs
Part#	Model#	Description	240V	208V	120V	240V	208V	120V	
027418	10330 7	CGH402 Portable Unit Heater	4000	3000		16.7	14.4		20

**Product Dimensions:
 13³/₄"W x 15³/₄"H x 10¹/₂"D**



Clearance requirements.

