

SPLIT SYSTEM HEAT PUMP

PRODUCT SPECIFICATIONS



18 SEER
R-410A

COOLING CAPACITY: 35,000 - 56,500 BTU/h

HEATING CAPACITY: 33,600 - 56,400 BTU/h

The Amana[®] brand ASZ18 Heat Pumps offer energy efficiencies and operating sound levels that are among the best in the heating and cooling industry. Our quality manufacturing, easy installation, and maintenance make this unit one of the best values on the market.

Standard Features

- R-410A environmentally friendly refrigerant
- Two-Stage Copeland[®] UltraTech Scroll compressor
- High-density foam compressor cover
- Copeland[®] ComfortAlert diagnostics
- High- and low-pressure switches
- Fully charged for 15' of tubing length
- Factory-installed bi-flow liquid line filter dryer
- Liquid refrigerant return protection
- Super-efficient condenser fan motor
- Copper tube, enhanced aluminum fin coil
- Sweat connection service valves with easy access to gauge ports
- ARI Certified; ETL Listed

Cabinet Features

- Unique Amana[®] brand sound control top design
- Wire fan discharge grille
- Steel louver coil guard
- Baked-on powder paint finish
- Rust-resistant coated screws
- Compact footprint
- Top and side maintenance access
- Single panel access to controls with space provided for field-installed accessories
- When properly anchored, meets the 2001 Florida Building Code unit integrity requirements for hurricane-type winds

Contents

Nomenclature.....	2
Product Specifications.....	3
Expanded Cooling Data.....	4
Expanded Heating Data.....	16
ARI Performance Ratings.....	18
Dimensions.....	21
Wiring Diagram.....	22
Accessories	23



Online registration is required within 60 days of installation.



PRODUCT SPECIFICATIONS

NOMENCLATURE

	A	S	Z	18	036	1	AA	
	1	2	3	4,5	6,7,8	9	10,11	
Brand	Amana® Brand						Engineering *	
							Major/ Minor Revisions	
							* Neither revision is used for order entry or inventory management.	
Product Category	Split System						Electrical	
							1 208/230 V, 1 Phase, 60 Hz	
							2 220/240 V, 1 Phase, 50 Hz	
							3 208/230 V, 3 Phase, 60 Hz	
							4 460 V, 3 Phase, 60 Hz	
							5 380/415 V, 3 Phase, 50 Hz	
Unit Type	Condenser R-22 Condenser R-410A Heat Pump R-22 Heat Pump R-410A						Nominal Capacity	
	13 13 SEER						018 1½ Tons 048 4 Tons	
	14 14 SEER						024 2 Tons 060 5 Tons	
	16 16 SEER						030 2½ Tons 090 7½ tons	
	18 18 SEER						036 3 Tons 120 10 Tons	
							042 3½ Tons	

Important EnergyStar Notice: Proper sizing and installation of equipment is critical to achieve optimal performance. Split system air conditioners and heat pumps must be matched with appropriate coil components to meet EnergyStar criteria. Ask your contractor for details or visit www.energystar.gov.

SPECIFICATIONS

	ASZ18 0361A	ASZ18 0481A	ASZ18 0601A
Cooling Capacity			
Nominal Cooling (BTU/h)	35,000	47,000	57,000
Nominal Heating (BTU/h)	35,000	47,000	57,000
Decibels	72	73	75
Compressor			
RLA	16.6	21.1	25.6
LRA	82	96	118
Condenser Fan Motor			
Horsepower (RPM)	1/3	1/3	1/3
FLA	2.80	2.80	2.80
Refrigeration System			
Liquid Valve Size ("O.D.)	3/8"	3/8"	3/8"
Suction Valve Size ("O.D.)	7/8"	1 1/8"	1 1/8"
Valve Connection Type	Sweat	Sweat	Sweat
Refrigerant Charge	TBD	TBD	TBD
Expansion Device	TXV	TXV	TXV
Superheat at Service Valve	5-7°F	5-7°F	5-7°F
Subcooling at Service Valve	8-10°F	8-10°F	8-10°F
Electrical Data			
Voltage-Phase-Hz	208/230-1-60	208/230-1-60	208/230-1-60
Minimum Circuit Ampacity ¹	23.6	29.2	34.8
Max. Overcurrent Protection ²	30 amps	40 amps	50 amps
Min / Max Volts	197 / 253	197 / 253	197 / 253
Electrical Conduit Size	1/2" or 3/4"	1/2" or 3/4"	1/2" or 3/4"
Ship Weight (lbs)	285	330	350

¹ Wire size should be determined in accordance with National Electrical Codes; extensive wire runs will require larger wire sizes

² May use fuses or HACR type circuit breakers of the same size as noted

Notes

- Always check the S&R plate for electrical data on the unit being installed.
- Installer will need to supply 7/8" to 1 1/8" adapters for suction line connections.
- Unit is charged with refrigerant for 15' of 3/8" liquid line. System charge must be adjusted per Installation Instructions Final Charge Procedure.
- Installation of these units requires the specified TXV Kit to be installed on the indoor coil. THE SPECIFIED TXV IS DETERMINED BY THE OUTDOOR UNIT NOT THE INDOOR COIL.

EXPANDED COOLING DATA — ASZ180361A* Low Stage

IDB	Airflow	Outdoor Ambient Temperature																							
		65°F				75°F				85°F				95°F				105°F				115°F			
		59	63	67	71	59	63	67	71	59	63	67	71	59	63	67	71	59	63	67	71	59	63	67	71
70	MBh	24.8	25.7	28.1	-	24.2	25.1	27.5	-	23.6	24.5	26.8	-	23.1	23.9	26.2	-	21.9	22.7	24.9	-	20.3	21.0	23.0	-
	S/T	0.77	0.64	0.44	-	0.79	0.66	0.46	-	0.81	0.68	0.47	-	0.84	0.70	0.49	-	0.87	0.73	0.50	-	0.88	0.73	0.51	-
	ΔT	18	16	12	-	18	16	12	-	18	16	12	-	19	16	12	-	18	16	12	-	17	15	11	-
	kW	1.34	1.37	1.42	-	1.45	1.48	1.54	-	1.55	1.58	1.64	-	1.63	1.67	1.73	-	1.71	1.75	1.81	-	1.77	1.81	1.88	-
	Amps	5.3	5.4	5.6	-	5.7	5.9	6.1	-	6.2	6.4	6.6	-	6.7	6.8	7.1	-	7.1	7.3	7.5	-	7.5	7.7	8.0	-
	HiPR	209	225	237	-	234	252	266	-	267	287	303	-	304	327	345	-	342	368	388	-	377	406	429	-
	LoPR	111	118	128	-	117	124	136	-	121	129	141	-	128	136	148	-	134	142	155	-	138	147	161	-
	MBh	24.1	24.9	27.3	-	23.5	24.4	26.7	-	22.9	23.8	26.1	-	22.4	23.2	25.4	-	21.3	22.0	24.1	-	19.7	20.4	22.4	-
	S/T	0.73	0.61	0.42	-	0.76	0.63	0.44	-	0.78	0.65	0.45	-	0.80	0.67	0.46	-	0.83	0.69	0.48	-	0.84	0.70	0.48	-
	ΔT	19	16	12	-	19	17	13	-	19	17	13	-	19	17	13	-	19	17	13	-	18	15	12	-
kW	1.33	1.36	1.40	-	1.44	1.47	1.52	-	1.54	1.57	1.63	-	1.62	1.66	1.72	-	1.69	1.73	1.79	-	1.76	1.80	1.86	-	
Amps	5.3	5.4	5.6	-	5.7	5.8	6.0	-	6.2	6.3	6.5	-	6.6	6.8	7.0	-	7.0	7.2	7.5	-	7.5	7.6	7.9	-	
HiPR	207	223	235	-	232	250	264	-	264	284	300	-	301	324	342	-	338	364	384	-	374	402	425	-	
LoPR	110	117	127	-	116	123	134	-	120	128	140	-	126	134	147	-	132	141	154	-	137	146	159	-	
MBh	22.2	23.0	25.2	-	21.7	22.5	24.6	-	21.2	21.9	24.0	-	20.7	21.4	23.5	-	19.6	20.3	22.3	-	18.2	18.8	20.6	-	
S/T	0.70	0.59	0.41	-	0.73	0.61	0.42	-	0.75	0.62	0.43	-	0.77	0.64	0.45	-	0.80	0.67	0.46	-	0.81	0.67	0.47	-	
ΔT	19	17	13	-	20	17	13	-	20	17	13	-	20	17	13	-	19	17	13	-	18	16	12	-	
kW	1.29	1.32	1.37	-	1.40	1.43	1.48	-	1.50	1.53	1.58	-	1.58	1.61	1.67	-	1.65	1.69	1.75	-	1.71	1.75	1.81	-	
Amps	5.1	5.2	5.4	-	5.5	5.7	5.9	-	6.0	6.2	6.4	-	6.4	6.6	6.8	-	6.8	7.0	7.2	-	7.2	7.4	7.7	-	
HiPR	201	216	228	-	225	242	256	-	256	276	291	-	292	314	331	-	328	353	373	-	363	390	412	-	
LoPR	106	113	123	-	112	119	130	-	117	124	135	-	123	130	142	-	128	137	149	-	133	141	154	-	

75	MBh	25.2	25.9	28.1	30.1	24.6	25.3	27.4	29.4	24.0	24.7	26.8	28.7	23.4	24.1	26.1	28.0	22.3	22.9	24.8	26.6	20.6	21.2	23.0	24.7
	S/T	0.87	0.78	0.59	0.38	0.90	0.81	0.61	0.39	0.92	0.83	0.63	0.40	0.95	0.85	0.65	0.42	0.99	0.89	0.67	0.43	1.00	0.89	0.68	0.44
	ΔT	21	19	16	11	21	20	16	11	21	20	16	11	22	20	16	11	21	20	16	11	20	18	15	10
	kW	1.35	1.38	1.43	1.48	1.46	1.50	1.55	1.60	1.56	1.60	1.65	1.71	1.65	1.69	1.75	1.81	1.72	1.76	1.83	1.89	1.79	1.83	1.89	1.96
	Amps	5.4	5.5	5.7	5.9	5.8	5.9	6.1	6.4	6.3	6.5	6.7	6.9	6.7	6.9	7.1	7.4	7.2	7.3	7.6	7.9	7.6	7.8	8.0	8.4
	HiPR	211	227	240	250	237	255	269	281	269	290	306	319	307	330	349	364	345	371	392	409	381	410	433	452
	LoPR	112	119	130	138	118	126	137	146	123	131	143	152	129	137	150	159	135	144	157	167	140	149	162	173
	MBh	24.5	25.2	27.3	29.3	23.9	24.6	26.6	28.6	23.3	24.0	26.0	27.9	22.8	23.4	25.4	27.2	21.6	22.3	24.1	25.9	20.0	20.6	22.3	24.0
	S/T	0.83	0.74	0.56	0.36	0.86	0.77	0.58	0.37	0.88	0.79	0.60	0.38	0.91	0.81	0.62	0.40	0.94	0.85	0.64	0.41	0.95	0.85	0.64	0.41
	ΔT	22	20	17	11	22	20	17	12	22	20	17	12	22	21	17	12	22	20	17	12	21	19	16	11
kW	1.34	1.37	1.42	1.47	1.45	1.48	1.54	1.59	1.55	1.59	1.64	1.70	1.64	1.67	1.73	1.79	1.71	1.75	1.81	1.87	1.77	1.81	1.88	1.95	
Amps	5.3	5.4	5.6	5.8	5.7	5.9	6.1	6.3	6.2	6.4	6.6	6.9	6.7	6.8	7.1	7.3	7.1	7.3	7.5	7.8	7.5	7.7	8.0	8.3	
HiPR	209	225	237	248	234	252	266	278	267	287	303	316	304	327	345	360	342	368	388	405	378	406	429	447	
LoPR	111	118	128	137	117	124	136	145	121	129	141	150	128	136	148	158	134	142	155	165	138	147	161	171	
MBh	22.6	23.3	25.2	27.0	22.1	22.7	24.6	26.4	21.5	22.2	24.0	25.8	21.0	21.6	23.4	25.1	20.0	20.5	22.2	23.9	18.5	19.0	20.6	22.1	
S/T	0.80	0.72	0.54	0.35	0.83	0.74	0.56	0.36	0.85	0.76	0.58	0.37	0.88	0.79	0.59	0.38	0.91	0.81	0.62	0.40	0.92	0.82	0.62	0.40	
ΔT	22	21	17	12	23	21	17	12	23	21	17	12	23	21	17	12	22	21	17	12	21	19	16	11	
kW	1.31	1.34	1.38	1.43	1.41	1.45	1.50	1.55	1.51	1.54	1.60	1.65	1.59	1.63	1.69	1.75	1.66	1.70	1.76	1.82	1.72	1.77	1.83	1.89	
Amps	5.2	5.3	5.5	5.7	5.6	5.7	5.9	6.1	6.1	6.2	6.4	6.7	6.5	6.6	6.9	7.1	6.9	7.1	7.3	7.6	7.3	7.5	7.7	8.0	
HiPR	203	218	230	240	227	245	258	270	259	278	294	307	295	317	335	349	331	357	377	393	366	394	416	434	
LoPR	107	114	125	133	113	121	132	140	118	125	137	146	124	132	144	153	130	138	151	160	134	143	156	166	

Shaded area is ACCA (TVA) conditions IDB: Entering Indoor Dry Bulb Temperature kW = Total system power Amps = outdoor unit amps (comp. + fan)
 High and low pressures are measured at the liquid and suction service valves. Design Subcooling 5 - 7 °F @ the liquid service valve, ARI 95 test conditions

EXPANDED COOLING DATA — ASZ180361A* Low Stage (CONT.)

IDB	Airflow	Outdoor Ambient Temperature																									
		65°F				75°F				85°F				95°F				105°F				115°F					
		59	63	67	71	59	63	67	71	59	63	67	71	59	63	67	71	59	63	67	71	59	63	67	71		
80	956	MBh	25.7	26.2	28.0	29.9	25.1	25.6	27.4	29.2	24.5	25.0	26.7	28.5	23.9	24.4	26.0	27.8	22.7	23.2	24.7	26.5	21.0	21.5	22.9	24.5	
		S/T	0.95	0.90	0.73	0.54	1.00	0.93	0.75	0.56	1.00	0.95	0.77	0.58	1.00	1.00	0.80	0.60	1.00	1.00	0.83	0.62	1.00	1.00	0.84	0.63	
		ΔT	24	23	20	16	24	23	20	16	23	23	20	16	23	23	20	16	22	22	18	14	20	21	18	15	
	850	KW	1.36	1.39	1.44	1.49	1.48	1.51	1.56	1.62	1.58	1.61	1.67	1.73	1.66	1.70	1.76	1.83	1.74	1.78	1.84	1.91	1.80	1.85	1.91	1.98	
		Amps	5.4	5.5	5.7	5.9	5.9	6.0	6.2	6.4	6.4	6.5	6.7	7.0	6.8	7.0	7.2	7.5	7.2	7.4	7.7	8.0	7.7	7.9	8.1	8.4	
		Hi/PR	213	229	242	253	239	257	272	284	272	293	309	322	310	333	352	367	349	375	396	413	385	415	438	457	
	744	Lo/PR	113	120	131	140	119	127	138	147	124	132	144	153	130	138	151	161	136	145	158	169	141	150	164	175	
		MBh	24.9	25.4	27.2	29.1	24.3	24.9	26.6	28.4	23.7	24.3	25.9	27.7	23.2	23.7	25.3	27.0	22.0	22.5	24.0	25.7	20.4	20.8	22.3	23.8	
		S/T	0.91	0.85	0.69	0.52	0.94	0.88	0.72	0.54	0.97	0.91	0.74	0.55	1.00	0.94	0.76	0.57	1.00	0.97	0.79	0.59	1.00	0.98	0.80	0.60	
	85	956	ΔT	25	23	20	16	25	24	21	17	25	24	21	17	25	24	21	17	24	24	21	16	22	22	19	15
			KW	1.35	1.38	1.43	1.48	1.46	1.50	1.55	1.60	1.56	1.60	1.65	1.71	1.65	1.69	1.75	1.81	1.72	1.76	1.83	1.89	1.79	1.83	1.89	1.96
			Amps	5.4	5.5	5.7	5.9	5.8	5.9	6.1	6.4	6.3	6.5	6.7	6.9	6.7	6.9	7.1	7.4	7.2	7.3	7.6	7.9	7.6	7.8	8.0	8.4
744		Hi/PR	211	227	240	250	237	255	269	281	269	290	306	319	307	330	349	364	345	371	392	409	381	410	433	452	
		Lo/PR	112	119	130	138	118	126	137	146	123	131	143	152	129	137	150	159	135	144	157	167	140	149	162	173	
		MBh	23.0	23.5	25.1	26.8	22.5	22.9	24.5	26.2	21.9	22.4	23.9	25.6	21.4	21.8	23.3	25.0	20.3	20.8	22.2	23.7	18.8	19.2	20.5	22.0	
85		956	S/T	0.88	0.82	0.67	0.50	0.91	0.85	0.69	0.52	0.93	0.87	0.71	0.53	0.96	0.90	0.73	0.55	1.00	0.94	0.76	0.57	1.01	0.94	0.77	0.57
			ΔT	25	24	21	17	25	24	21	17	25	24	21	17	25	24	21	17	25	24	21	17	23	22	20	16
			KW	1.32	1.35	1.39	1.44	1.43	1.46	1.51	1.56	1.52	1.56	1.61	1.67	1.61	1.64	1.70	1.76	1.68	1.72	1.78	1.84	1.74	1.78	1.84	1.91
		744	Amps	5.2	5.3	5.5	5.7	5.6	5.8	6.0	6.2	6.1	6.3	6.5	6.7	6.5	6.7	6.9	7.2	7.0	7.1	7.4	7.7	7.4	7.6	7.8	8.1
			Hi/PR	205	220	233	243	230	247	261	272	261	281	297	310	298	320	338	353	335	360	380	397	370	398	420	438
			Lo/PR	108	115	126	134	115	122	133	142	119	127	138	147	125	133	145	155	131	139	152	162	136	144	157	168
	85	956	MBh	26.1	26.6	27.9	29.7	25.5	26.0	27.2	29.0	24.9	25.4	26.6	28.3	24.3	24.7	25.9	27.7	23.1	23.5	24.6	26.3	21.4	21.8	22.8	24.3
			S/T	1.00	0.97	0.87	0.71	1.00	1.00	0.90	0.73	1.00	1.00	0.93	0.75	1.00	1.00	0.96	0.78	1.00	1.00	0.99	0.80	1.00	1.00	1.00	0.81
			ΔT	25	25	23	20	25	25	24	20	24	24	24	20	23	24	24	21	22	23	23	20	21	21	22	19
		744	KW	1.38	1.41	1.45	1.50	1.49	1.52	1.58	1.63	1.59	1.63	1.68	1.74	1.68	1.72	1.78	1.84	1.75	1.80	1.86	1.93	1.82	1.86	1.93	2.00
			Amps	5.5	5.6	5.8	6.0	5.9	6.0	6.2	6.5	6.4	6.6	6.8	7.0	6.9	7.0	7.3	7.5	7.3	7.5	7.7	8.0	7.7	7.9	8.2	8.5
			Hi/PR	215	232	245	255	242	260	275	286	275	296	312	326	313	337	356	371	352	379	400	417	389	419	442	461
85		956	Lo/PR	114	121	132	141	120	128	140	149	125	133	145	155	131	140	153	163	138	147	160	170	143	152	166	176
			MBh	25.3	25.8	27.1	28.9	24.7	25.2	26.4	28.2	24.2	24.6	25.8	27.5	23.6	24.0	25.2	26.8	22.4	22.8	23.9	25.5	20.7	21.1	22.1	23.6
			S/T	0.95	0.92	0.83	0.67	0.99	0.95	0.86	0.70	1.00	0.98	0.88	0.72	1.00	1.00	0.91	0.74	1.00	1.00	0.95	0.77	1.00	1.00	0.95	0.77
		744	ΔT	26	26	24	21	26	26	25	21	26	26	25	21	25	26	25	21	24	25	24	21	22	23	23	20
			KW	1.36	1.39	1.44	1.49	1.48	1.51	1.56	1.62	1.58	1.61	1.67	1.73	1.66	1.70	1.76	1.83	1.74	1.78	1.84	1.91	1.80	1.85	1.91	1.98
			Amps	5.4	5.5	5.7	5.9	5.9	6.0	6.2	6.4	6.4	6.5	6.7	7.0	6.8	7.0	7.2	7.5	7.2	7.4	7.7	8.0	7.7	7.9	8.1	8.4
	85	956	Hi/PR	213	229	242	253	239	257	272	284	272	293	309	322	310	333	352	367	349	375	396	413	385	415	438	457
			Lo/PR	113	120	131	140	119	127	138	147	124	132	144	153	130	138	151	161	136	145	158	169	141	150	164	175
			MBh	23.4	23.8	25.0	26.6	22.8	23.3	24.4	26.0	22.3	22.7	23.8	25.4	21.8	22.2	23.2	24.8	20.7	21.1	22.1	23.5	19.1	19.5	20.4	21.8
		744	S/T	0.92	0.89	0.80	0.65	0.95	0.92	0.83	0.67	0.98	0.94	0.85	0.69	1.00	0.97	0.88	0.71	1.00	1.00	0.91	0.74	1.00	1.00	0.92	0.75
			ΔT	26.6	26	25	21	27	26	25	22	27	27	25	22	27	27	25	22	26	26	25	22	24	24	23	20
			KW	1.33	1.36	1.40	1.45	1.44	1.47	1.52	1.57	1.53	1.57	1.62	1.68	1.62	1.66	1.72	1.78	1.69	1.73	1.79	1.86	1.76	1.80	1.86	1.93
85		956	Amps	5.3	5.4	5.6	5.8	5.7	5.8	6.0	6.2	6.2	6.3	6.5	6.8	6.6	6.8	7.0	7.3	7.0	7.2	7.4	7.7	7.5	7.6	7.9	8.2
			Hi/PR	207	223	235	245	232	250	264	275	264	284	300	313	301	323	342	356	338	364	384	401	374	402	425	443
			Lo/PR	109	116	127	135	116	123	134	143	120	128	140	149	126	134	147	156	132	141	154	164	137	146	159	169

Shaded area is ARI Rating conditions
 High and low pressures are measured at the liquid and suction service valves.
 IDB: Entering Indoor Dry Bulb Temperature
 kW = Total system power
 ARI = outdoor unit amps (comp. + fan)
 Design Subcooling 5 - 7 °F @ the liquid service valve, ARI 95 test conditions

EXPANDED COOLING DATA — ASZ180361A* HIGH STAGE

IDB	Airflow	Outdoor Ambient Temperature																									
		65°F				75°F				85°F				95°F				105°F				115°F					
		59	63	67	71	59	63	67	71	59	63	67	71	59	63	67	71	59	63	67	71	59	63	67	71		
70	1406	MBh	34.5	35.8	39.2	-	33.7	34.9	38.3	-	32.9	34.1	37.4	-	32.1	33.3	36.5	-	30.5	31.6	34.6	-	28.3	29.3	32.1	-	
		S/T	0.76	0.63	0.44	-	0.79	0.66	0.45	-	0.81	0.67	0.47	-	0.83	0.70	0.48	-	0.86	0.72	0.50	-	0.87	0.73	0.50	-	
		ΔT	17	15	11	-	17	15	11	-	17	15	11	-	17	15	11	-	17	15	11	-	16	14	11	-	
	1250	kW	2.10	2.14	2.21	-	2.26	2.31	2.39	-	2.41	2.47	2.55	-	2.54	2.60	2.69	-	2.65	2.71	2.81	-	2.75	2.81	2.91	-	
		Amps	7.8	8.0	8.2	-	8.4	8.6	8.9	-	9.2	9.4	9.7	-	9.8	10.1	10.4	-	10.5	10.7	11.1	-	11.1	11.4	11.8	-	
		Hi/PR	219	235	249	-	245	264	279	-	279	300	317	-	318	342	361	-	358	385	406	-	395	425	449	-	
	1094	Lo/PR	107	114	124	-	113	120	131	-	117	125	136	-	123	131	143	-	129	137	150	-	134	142	155	-	
		MBh	33.5	34.7	38.1	-	32.7	33.9	37.2	-	32.0	33.1	36.3	-	31.2	32.3	35.4	-	29.6	30.7	33.6	-	27.4	28.4	31.2	-	
		S/T	0.72	0.60	0.42	-	0.75	0.63	0.43	-	0.77	0.64	0.44	-	0.79	0.66	0.46	-	0.82	0.69	0.48	-	0.83	0.69	0.48	-	
	75	1406	ΔT	18	15	12	-	18	16	12	-	18	16	12	-	18	16	12	-	18	16	12	-	17	15	11	-
kW			2.08	2.13	2.19	-	2.25	2.30	2.37	-	2.39	2.45	2.53	-	2.52	2.58	2.67	-	2.63	2.69	2.78	-	2.73	2.79	2.88	-	
Amps			7.7	7.9	8.1	-	8.3	8.5	8.8	-	9.1	9.3	9.6	-	9.7	10.0	10.3	-	10.4	10.6	11.0	-	11.0	11.3	11.7	-	
1250		Hi/PR	217	233	246	-	243	261	276	-	276	297	314	-	315	339	358	-	354	381	402	-	391	421	445	-	
		Lo/PR	106	113	123	-	112	119	130	-	116	124	135	-	122	130	142	-	128	136	149	-	132	141	154	-	
		MBh	30.9	32.1	35.1	-	30.2	31.3	34.3	-	29.5	30.6	33.5	-	28.8	29.8	32.7	-	27.3	28.3	31.0	-	25.3	26.2	28.8	-	
1094		S/T	0.70	0.58	0.40	-	0.72	0.60	0.42	-	0.74	0.62	0.43	-	0.77	0.64	0.44	-	0.79	0.66	0.46	-	0.80	0.67	0.46	-	
		ΔT	18	16	12	-	18	16	12	-	18	16	12	-	19	16	12	-	18	16	12	-	17	15	11	-	
		kW	2.03	2.07	2.14	-	2.19	2.24	2.31	-	2.33	2.38	2.46	-	2.46	2.51	2.60	-	2.56	2.62	2.71	-	2.66	2.72	2.81	-	
75		1406	Amps	7.5	7.7	7.9	-	8.1	8.3	8.6	-	8.8	9.0	9.3	-	9.4	9.7	10.0	-	10.1	10.3	10.7	-	10.7	10.9	11.3	-
	Hi/PR		210	226	239	-	236	254	268	-	268	288	305	-	305	329	347	-	343	370	390	-	379	408	431	-	
	Lo/PR		103	109	119	-	108	115	126	-	113	120	131	-	118	126	138	-	124	132	144	-	128	137	149	-	
75	1406	MBh	35.1	36.1	39.1	42.0	34.3	35.3	38.2	41.0	33.5	34.5	37.3	40.0	32.7	33.6	36.4	39.1	31.0	31.9	34.6	37.1	28.7	29.6	32.0	34.4	
		S/T	0.86	0.77	0.58	0.38	0.89	0.80	0.60	0.39	0.92	0.82	0.62	0.40	0.95	0.85	0.64	0.41	0.98	0.88	0.66	0.43	0.99	0.89	0.67	0.43	
		ΔT	20	18	15	10	20	18	15	10	20	18	15	10	20	18	15	11	20	18	15	10	19	17	14	10	
	1250	kW	2.11	2.16	2.23	2.31	2.28	2.33	2.41	2.49	2.43	2.49	2.57	2.66	2.56	2.62	2.71	2.81	2.68	2.74	2.83	2.93	2.77	2.84	2.94	3.04	
		Amps	7.8	8.0	8.3	8.6	8.5	8.7	9.0	9.3	9.2	9.5	9.8	10.2	9.9	10.2	10.5	10.9	10.6	10.8	11.2	11.6	11.2	11.5	11.9	12.3	
		Hi/PR	221	238	251	262	248	267	282	294	282	303	320	334	321	346	365	381	361	389	411	428	399	430	454	473	
	1094	Lo/PR	108	115	125	134	114	121	133	141	119	126	138	147	125	133	145	154	131	139	152	161	135	144	157	167	
		MBh	34.1	35.1	38.0	40.8	33.3	34.3	37.1	39.8	32.5	33.5	36.2	38.9	31.7	32.6	35.3	37.9	30.1	31.0	33.6	36.0	27.9	28.7	31.1	33.4	
		S/T	0.82	0.74	0.56	0.36	0.85	0.76	0.58	0.37	0.87	0.78	0.59	0.38	0.90	0.81	0.61	0.39	0.94	0.84	0.63	0.41	0.94	0.84	0.64	0.41	
	75	1250	ΔT	21	19	16	11	21	19	16	11	21	19	16	11	21	19	16	11	21	19	16	11	19	18	15	10
kW			2.10	2.14	2.21	2.29	2.26	2.32	2.39	2.47	2.41	2.47	2.55	2.64	2.54	2.60	2.69	2.78	2.65	2.72	2.81	2.91	2.75	2.81	2.91	3.01	
Amps			7.8	8.0	8.2	8.5	8.4	8.6	8.9	9.3	9.2	9.4	9.7	10.1	9.8	10.1	10.4	10.8	10.5	10.7	11.1	11.5	11.1	11.4	11.8	12.2	
1094		Hi/PR	219	235	249	259	245	264	279	291	279	300	317	331	318	342	361	377	358	385	406	424	395	425	449	468	
		Lo/PR	107	114	124	132	113	120	131	140	117	125	136	145	123	131	143	153	129	138	150	160	134	142	155	165	
		MBh	31.5	32.4	35.1	37.6	30.7	31.6	34.2	36.8	30.0	30.9	33.4	35.9	29.3	30.1	32.6	35.0	27.8	28.6	31.0	33.3	25.8	26.5	28.7	30.8	
75		1094	S/T	0.79	0.71	0.54	0.35	0.82	0.74	0.56	0.36	0.84	0.75	0.57	0.37	0.87	0.78	0.59	0.38	0.90	0.81	0.61	0.39	0.91	0.81	0.62	0.40
			ΔT	21	19	16	11	21	20	16	11	21	20	16	11	21	20	16	11	21	19	16	11	20	18	15	10
			kW	2.04	2.09	2.16	2.23	2.21	2.26	2.33	2.41	2.35	2.40	2.48	2.57	2.48	2.53	2.62	2.71	2.59	2.64	2.73	2.83	2.68	2.74	2.83	2.93
75		1094	Amps	7.5	7.7	8.0	8.3	8.2	8.4	8.7	9.0	8.9	9.1	9.4	9.8	9.5	9.8	10.1	10.5	10.2	10.4	10.8	11.2	10.8	11.1	11.4	11.9
	Hi/PR		212	228	241	251	238	256	271	282	271	291	308	321	308	332	350	366	347	373	394	411	383	413	436	454	
	Lo/PR		104	110	120	128	110	117	127	136	114	121	132	141	120	127	139	148	125	133	146	155	130	138	151	160	

Shaded area is ACCA (TVA) conditions
 High and low pressures are measured at the liquid and suction service valves.
 IDB: Entering Indoor Dry Bulb Temperature
 kW = Total system power
 Amps = outdoor unit amps (comp. + fan)
 Design Subcooling 5 - 7 °F @ the liquid service valve, ARI 95 test conditions

EXPANDED COOLING DATA — ASZ180361A* HIGH STAGE (CONT.)

IDB	Airflow	Outdoor Ambient Temperature																							
		65°F				75°F				85°F				95°F				105°F				115°F			
		59	63	67	71	59	63	67	71	59	63	67	71	59	63	67	71	59	63	67	71	59	63	67	71
80	MBh	35.7	36.5	39.0	41.7	34.9	35.7	38.1	40.7	34.1	34.8	37.2	39.8	33.2	34.0	36.3	38.8	31.6	32.3	34.5	36.8	29.2	29.9	31.9	34.1
	S/T	0.95	0.89	0.72	0.54	1.00	0.92	0.75	0.56	1.00	0.94	0.77	0.57	1.00	1.00	0.79	0.59	1.00	1.00	0.82	0.61	1.00	1.00	0.83	0.62
	ΔT	22	21	18	15	23	21	19	15	22	22	19	15	22	22	19	15	21	21	19	15	19	20	17	14
	kW	2.13	2.18	2.25	2.33	2.30	2.35	2.43	2.52	2.45	2.51	2.59	2.68	2.59	2.65	2.74	2.83	2.70	2.76	2.86	2.96	2.80	2.86	2.96	3.07
	Amps	7.9	8.1	8.4	8.7	8.6	8.8	9.1	9.4	9.3	9.6	9.9	10.3	10.0	10.2	10.6	11.0	10.7	10.9	11.3	11.7	11.3	11.6	12.0	12.5
	Hi PR	223	240	254	265	250	269	285	297	285	306	324	338	324	349	369	384	365	393	415	433	403	434	458	478
	Lo PR	109	116	127	135	115	123	134	143	120	127	139	148	126	134	146	156	132	140	153	163	136	145	158	169
	MBh	34.7	35.4	37.9	40.5	33.9	34.6	37.0	39.5	33.1	33.8	36.1	38.6	32.3	33.0	35.2	37.7	30.7	31.3	33.5	35.8	28.4	29.0	31.0	33.1
	S/T	0.90	0.85	0.69	0.51	0.93	0.88	0.71	0.53	0.96	0.90	0.73	0.55	0.99	0.93	0.76	0.56	1.00	0.96	0.78	0.59	1.00	0.97	0.79	0.59
	ΔT	23	22	19	15	23	22	19	16	23	22	19	16	23	23	20	16	23	22	19	15	21	21	18	14
kW	2.11	2.16	2.23	2.31	2.28	2.33	2.41	2.49	2.43	2.49	2.57	2.66	2.57	2.62	2.71	2.81	2.68	2.74	2.83	2.93	2.77	2.84	2.94	3.04	
Amps	7.8	8.0	8.3	8.6	8.5	8.7	9.0	9.3	9.2	9.5	9.8	10.2	9.9	10.2	10.5	10.9	10.6	10.8	11.2	11.6	11.2	11.5	11.9	12.3	
Hi PR	221	238	251	262	248	267	282	294	282	303	320	334	321	346	365	381	361	389	411	428	399	430	454	473	
Lo PR	108	115	125	134	114	121	133	141	119	126	138	147	125	133	145	154	131	139	152	162	135	144	157	167	
MBh	32.0	32.7	35.0	37.4	31.3	32.0	34.1	36.5	30.5	31.2	33.3	35.6	29.8	30.4	32.5	34.8	28.3	28.9	30.9	33.0	26.2	26.8	28.6	30.6	
S/T	0.87	0.82	0.66	0.50	0.90	0.85	0.69	0.51	0.92	0.87	0.71	0.53	0.95	0.89	0.73	0.54	0.99	0.93	0.76	0.56	1.00	0.94	0.76	0.57	
ΔT	23	22	20	16	24	23	20	16	24	23	20	16	24	23	20	16	24	23	20	16	22	21	18	15	
kW	2.06	2.11	2.18	2.25	2.23	2.28	2.35	2.43	2.37	2.42	2.51	2.59	2.50	2.56	2.64	2.73	2.61	2.67	2.76	2.85	2.70	2.76	2.86	2.96	
Amps	7.6	7.8	8.1	8.4	8.3	8.5	8.7	9.1	9.0	9.2	9.5	9.9	9.6	9.9	10.2	10.6	10.3	10.5	10.9	11.3	10.9	11.2	11.5	12.0	
Hi PR	214	231	244	254	240	259	273	285	274	294	311	324	312	335	354	369	350	377	398	415	387	417	440	459	
Lo PR	105	111	122	130	111	118	129	137	115	122	134	142	121	129	140	149	127	135	147	157	131	139	152	162	

85	MBh	36.4	37.1	38.8	41.4	35.5	36.2	37.9	40.4	34.7	35.3	37.0	39.5	33.8	34.5	36.1	38.5	32.1	32.7	34.3	36.6	29.8	30.3	31.8	33.9
	S/T	0.99	0.96	0.86	0.70	1.00	0.99	0.89	0.73	1.00	1.00	0.92	0.74	1.00	1.00	0.95	0.77	1.00	1.00	0.98	0.80	1.00	1.00	0.99	0.80
	ΔT	24	23	22	19	23	23	22	19	23	23	22	19	22	23	22	19	21	21	21	19	19	20	21	18
	kW	2.15	2.20	2.27	2.35	2.32	2.37	2.45	2.54	2.47	2.53	2.62	2.71	2.61	2.67	2.76	2.86	2.72	2.79	2.88	2.98	2.82	2.89	2.99	3.09
	Amps	8.0	8.2	8.5	8.8	8.7	8.9	9.2	9.5	9.4	9.7	10.0	10.4	10.1	10.3	10.7	11.1	10.8	11.0	11.4	11.9	11.4	11.7	12.1	12.6
	Hi PR	225	243	256	267	253	272	287	300	288	310	327	341	328	353	372	388	369	397	419	437	407	438	463	483
	Lo PR	110	117	128	136	116	124	135	144	121	129	141	150	127	135	148	157	133	142	155	165	138	147	160	170
	MBh	35.3	36.0	37.7	40.2	34.5	35.1	36.8	39.3	33.7	34.3	35.9	38.3	32.8	33.5	35.1	37.4	31.2	31.8	33.3	35.5	28.9	29.5	30.8	32.9
	S/T	0.95	0.91	0.82	0.67	0.98	0.95	0.85	0.69	1.00	0.97	0.88	0.71	1.00	1.00	0.90	0.73	1.00	1.00	0.94	0.76	1.00	1.00	0.95	0.77
	ΔT	25	24	23	20	25	24	23	20	25	24	23	20	24	25	23	20	23	23	23	20	21	22	21	19
kW	2.13	2.18	2.25	2.33	2.30	2.35	2.43	2.52	2.45	2.51	2.59	2.68	2.59	2.65	2.74	2.83	2.70	2.76	2.86	2.96	2.80	2.86	2.96	3.07	
Amps	7.9	8.1	8.4	8.7	8.6	8.8	9.1	9.4	9.3	9.6	9.9	10.3	10.0	10.2	10.6	11.0	10.7	10.9	11.3	11.7	11.3	11.6	12.0	12.5	
Hi PR	223	240	254	265	250	269	285	297	285	306	324	338	324	349	369	384	365	393	415	433	403	434	458	478	
Lo PR	109	116	127	135	115	123	134	143	120	127	139	148	126	134	146	156	132	140	153	163	136	145	158	169	
MBh	32.6	33.2	34.8	37.1	31.8	32.4	34.0	36.2	31.1	31.7	33.2	35.4	30.3	30.9	32.4	34.5	28.8	29.3	30.7	32.8	26.7	27.2	28.5	30.4	
S/T	0.91	0.88	0.79	0.64	0.94	0.91	0.82	0.67	0.97	0.93	0.84	0.68	1.00	0.97	0.87	0.71	1.00	1.00	0.90	0.73	1.00	1.00	0.91	0.74	
ΔT	25	25	23	20	25	25	23	20	25	25	24	20	25	25	24	21	24	25	23	20	22	23	22	19	
kW	2.08	2.12	2.19	2.27	2.24	2.29	2.37	2.45	2.39	2.45	2.53	2.61	2.52	2.58	2.67	2.76	2.63	2.69	2.78	2.88	2.73	2.79	2.88	2.98	
Amps	7.7	7.9	8.1	8.5	8.3	8.5	8.8	9.2	9.1	9.3	9.6	10.0	9.7	10.0	10.3	10.7	10.4	10.6	11.0	11.4	11.0	11.3	11.7	12.1	
Hi PR	216	233	246	257	243	261	276	288	276	297	314	327	315	339	358	373	354	381	402	420	391	421	444	464	
Lo PR	106	113	123	131	112	119	130	138	116	124	135	144	122	130	142	151	128	136	149	158	132	141	154	164	

Shaded area is ARI Rating conditions
 High and low pressures are measured at the liquid and suction service valves.
 IDB: Entering Indoor Dry Bulb Temperature
 kW = Total system power
 Amps = outdoor unit amps (comp. + fan)
 Design Subcooling 5 - 7 °F @ the liquid service valve, ARI 95 test conditions

EXPANDED COOLING DATA — ASZ180481A* LOW STAGE

IDB	Airflow	Outdoor Ambient Temperature																									
		65°F				75°F				85°F				95°F				105°F				115°F					
		59	63	67	71	59	63	67	71	59	63	67	71	59	63	67	71	59	63	67	71	59	63	67	71		
70	1350	MBh	35.0	36.3	39.8	-	34.2	35.5	38.9	-	33.4	34.6	37.9	-	32.6	33.8	37.0	-	31.0	32.1	35.2	-	28.7	29.7	32.6	-	
		S/T	0.76	0.63	0.44	-	0.78	0.65	0.45	-	0.80	0.67	0.46	-	0.83	0.69	0.48	-	0.86	0.72	0.50	-	0.87	0.72	0.50	-	
		ΔT	18	16	12	-	18	16	12	-	18	16	12	-	18	16	12	-	18	16	12	-	17	15	11	-	
	1200	kW	1.85	1.89	1.96	-	2.01	2.05	2.13	-	2.14	2.20	2.27	-	2.27	2.32	2.40	-	2.37	2.43	2.51	-	2.46	2.52	2.61	-	
		Amps	0.1	0.1	0.1	-	0.1	0.1	0.1	-	0.1	0.1	0.1	-	0.1	0.1	0.1	-	0.1	0.1	0.1	-	0.1	0.1	0.1	-	
		Hi/PR	209	225	237	-	234	252	266	-	266	287	303	-	303	326	345	-	341	367	388	-	377	406	429	-	
	1050	Lo/PR	110	117	128	-	116	123	135	-	121	128	140	-	127	135	147	-	133	141	154	-	137	146	160	-	
		MBh	34.0	35.3	38.6	-	33.2	34.4	37.7	-	32.4	33.6	36.8	-	31.6	32.8	35.9	-	30.1	31.2	34.1	-	27.8	28.9	31.6	-	
		S/T	0.72	0.60	0.42	-	0.75	0.62	0.43	-	0.77	0.64	0.44	-	0.79	0.66	0.46	-	0.82	0.69	0.47	-	0.83	0.69	0.48	-	
	75	1350	ΔT	19	16	12	-	19	16	12	-	19	16	13	-	19	17	13	-	19	16	12	-	18	15	12	-
			kW	1.84	1.88	1.94	-	1.99	2.04	2.11	-	2.13	2.18	2.25	-	2.25	2.30	2.38	-	2.35	2.40	2.49	-	2.44	2.49	2.58	-
			Amps	0.1	0.1	0.1	-	0.1	0.1	0.1	-	0.1	0.1	0.1	-	0.1	0.1	0.1	-	0.1	0.1	0.1	-	0.1	0.1	0.1	-
1200		Hi/PR	207	222	235	-	232	250	264	-	264	284	300	-	300	323	341	-	338	364	384	-	373	402	424	-	
		Lo/PR	109	116	126	-	115	122	133	-	119	127	139	-	125	133	146	-	131	140	153	-	136	145	158	-	
		MBh	31.4	32.5	35.7	-	30.7	31.8	34.8	-	29.9	31.0	34.0	-	29.2	30.3	33.2	-	27.7	28.8	31.5	-	25.7	26.6	29.2	-	
1050		S/T	0.70	0.58	0.40	-	0.72	0.60	0.42	-	0.74	0.62	0.43	-	0.76	0.64	0.44	-	0.79	0.66	0.46	-	0.80	0.67	0.46	-	
		ΔT	19	17	13	-	19	17	13	-	19	17	13	-	19	17	13	-	19	17	13	-	18	16	12	-	
		kW	1.79	1.83	1.89	-	1.94	1.98	2.05	-	2.07	2.12	2.19	-	2.19	2.24	2.32	-	2.28	2.34	2.42	-	2.37	2.43	2.51	-	
75		1350	Amps	0.1	0.1	0.1	-	0.1	0.1	0.1	-	0.1	0.1	0.1	-	0.1	0.1	0.1	-	0.1	0.1	0.1	-	0.1	0.1	0.1	-
			Hi/PR	200	216	228	-	225	242	256	-	256	275	291	-	291	314	331	-	328	353	372	-	362	390	412	-
			Lo/PR	106	112	123	-	111	119	129	-	116	123	135	-	122	129	141	-	128	136	148	-	132	140	153	-
	1200	MBh	35.6	36.7	39.7	42.6	34.8	35.8	38.8	41.6	34.0	35.0	37.9	40.6	33.1	34.1	36.9	39.6	31.5	32.4	35.1	37.7	29.2	30.0	32.5	34.9	
		S/T	0.86	0.77	0.58	0.37	0.89	0.80	0.60	0.39	0.91	0.82	0.62	0.40	0.94	0.84	0.64	0.41	0.98	0.87	0.66	0.43	0.99	0.88	0.67	0.43	
		ΔT	21	19	16	11	21	19	16	11	21	19	16	11	21	20	16	11	21	19	16	11	20	18	15	10	
	1050	kW	1.87	1.91	1.98	2.05	2.03	2.07	2.14	2.22	2.16	2.22	2.29	2.37	2.29	2.34	2.42	2.51	2.39	2.45	2.53	2.63	2.48	2.54	2.63	2.73	
		Amps	0.1	0.1	0.1	0.1	0.1	0.1	0.1	0.1	0.1	0.1	0.1	0.1	0.1	0.1	0.1	0.1	0.1	0.1	0.1	0.1	0.1	0.1	0.1	0.1	
		Hi/PR	211	227	240	250	237	255	269	280	269	290	306	319	306	330	348	363	345	371	392	409	381	410	433	452	
	75	1200	Lo/PR	111	118	129	137	117	125	136	145	122	130	142	151	128	136	149	158	134	143	156	166	139	148	161	172
			MBh	34.6	35.6	38.5	41.4	33.8	34.8	37.7	40.4	33.0	34.0	36.8	39.4	32.2	33.1	35.9	38.5	30.6	31.5	34.1	36.6	28.3	29.2	31.6	33.9
			S/T	0.82	0.73	0.55	0.36	0.85	0.76	0.57	0.37	0.87	0.78	0.59	0.38	0.90	0.80	0.61	0.39	0.93	0.83	0.63	0.41	0.94	0.84	0.64	0.41
1050		ΔT	22	20	16	11	22	20	17	11	22	20	17	11	22	20	17	12	22	20	16	11	20	19	15	11	
		kW	1.85	1.89	1.96	2.03	2.01	2.05	2.13	2.20	2.15	2.20	2.27	2.35	2.27	2.32	2.40	2.49	2.37	2.43	2.51	2.60	2.46	2.52	2.61	2.70	
		Amps	0.1	0.1	0.1	0.1	0.1	0.1	0.1	0.1	0.1	0.1	0.1	0.1	0.1	0.1	0.1	0.1	0.1	0.1	0.1	0.1	0.1	0.1	0.1	0.1	
75		Hi/PR	209	225	237	247	234	252	266	278	266	287	303	316	303	327	345	360	341	367	388	405	377	406	429	447	
		Lo/PR	110	117	128	136	116	124	135	144	121	128	140	149	127	135	147	157	133	141	154	164	137	146	160	170	
		MBh	31.9	32.9	35.6	38.2	31.2	32.1	34.8	37.3	30.4	31.3	33.9	36.4	29.7	30.6	33.1	35.5	28.2	29.0	31.4	33.7	26.1	26.9	29.1	31.3	
75		S/T	0.79	0.71	0.53	0.34	0.82	0.73	0.55	0.36	0.84	0.75	0.57	0.37	0.87	0.78	0.59	0.38	0.90	0.80	0.61	0.39	0.91	0.81	0.61	0.40	
		ΔT	22	20	17	12	22	21	17	12	22	21	17	12	23	21	17	12	23	21	17	12	21	19	16	11	
		kW	1.80	1.85	1.91	1.98	1.95	2.00	2.07	2.14	2.09	2.14	2.21	2.29	2.21	2.26	2.34	2.42	2.31	2.36	2.44	2.53	2.39	2.45	2.54	2.63	
75	Amps	0.1	0.1	0.1	0.1	0.1	0.1	0.1	0.1	0.1	0.1	0.1	0.1	0.1	0.1	0.1	0.1	0.1	0.1	0.1	0.1	0.1	0.1	0.1	0.1		
	Hi/PR	203	218	230	240	227	245	258	269	258	278	294	306	294	317	334	349	331	356	376	392	366	394	416	434		
	Lo/PR	107	113	124	132	113	120	131	139	117	125	136	145	123	131	143	152	129	137	150	159	133	142	155	165		

Shaded area is ACCA (TYA) conditions
 High and low pressures are measured at the liquid and suction service valves.
 IDB: Entering Indoor Dry Bulb Temperature
 kW = Total system power
 Design Subcooling 5 - 7 °F @ the liquid service valve, ARI 95 test conditions
 Amps = outdoor unit amps (comp. + fan)

EXPANDED COOLING DATA — ASZ180481A* Low Stage (CONT.)

IDB	Airflow	Outdoor Ambient Temperature																								
		65°F				75°F				85°F				95°F				105°F				115°F				
		59	63	67	71	59	63	67	71	59	63	67	71	59	63	67	71	59	63	67	71	59	63	67	71	
80	1350	MBh	36.3	37.1	39.6	42.3	35.4	36.2	38.7	41.3	34.6	35.3	37.7	40.3	33.7	34.5	36.8	39.4	32.0	32.7	35.0	37.4	29.7	30.3	32.4	34.6
		S/T	0.94	0.88	0.72	0.54	1.00	0.92	0.75	0.56	1.00	0.94	0.76	0.57	1.00	0.97	0.79	0.59	1.00	1.00	0.82	0.61	1.00	1.00	0.83	0.62
	ΔT	23	22	19	15	24	23	20	16	24	23	20	16	23	23	20	16	22	22	20	16	20	21	18	15	
	kW	1.88	1.93	1.99	2.06	2.04	2.09	2.16	2.24	2.18	2.24	2.31	2.40	2.31	2.36	2.45	2.53	2.21	2.27	2.56	2.65	2.50	2.56	2.65	2.75	
	Amps	0.1	0.1	0.1	0.1	0.1	0.1	0.1	0.1	0.1	0.1	0.1	0.1	0.1	0.1	0.1	0.1	0.1	0.1	0.1	0.1	0.1	0.1	0.1	0.1	
	Hi PR	213	229	242	252	239	257	272	283	272	292	309	322	310	333	352	367	348	375	396	413	385	414	437	456	
	Lo PR	112	119	130	139	118	126	138	147	123	131	143	152	129	138	150	160	136	144	157	168	140	149	163	173	
	MBh	35.2	36.0	38.4	41.1	34.4	35.1	37.5	40.1	33.6	34.3	36.6	39.2	32.7	33.5	35.8	38.2	31.1	31.8	34.0	36.3	28.8	29.4	31.5	33.6	
	S/T	0.90	0.84	0.69	0.51	0.93	0.87	0.71	0.53	0.96	0.90	0.73	0.54	0.99	0.92	0.75	0.56	1.00	0.96	0.78	0.58	1.00	0.97	0.79	0.59	
	ΔT	24	23	20	16	25	24	20	16	25	24	20	16	25	24	21	16	24	23	20	16	22	22	19	15	
1050	1200	kW	1.87	1.91	1.98	2.05	2.03	2.07	2.15	2.22	2.16	2.22	2.29	2.38	2.29	2.34	2.42	2.51	2.39	2.45	2.54	2.63	2.48	2.54	2.63	2.73
		Amps	0.1	0.1	0.1	0.1	0.1	0.1	0.1	0.1	0.1	0.1	0.1	0.1	0.1	0.1	0.1	0.1	0.1	0.1	0.1	0.1	0.1	0.1	0.1	0.1
	Hi PR	211	227	240	250	237	255	269	280	269	290	306	319	307	330	348	363	345	371	392	409	381	410	433	452	
	Lo PR	111	118	129	137	117	125	136	145	122	130	142	151	128	136	149	158	134	143	156	166	139	148	161	172	
	MBh	32.5	33.2	35.5	37.9	31.7	32.4	34.6	37.0	31.0	31.7	33.8	36.2	30.2	30.9	33.0	35.3	28.7	29.3	31.3	33.5	26.6	27.2	29.0	31.0	
	S/T	0.87	0.81	0.66	0.49	0.90	0.84	0.69	0.51	0.92	0.86	0.70	0.53	0.95	0.89	0.73	0.54	0.99	0.93	0.75	0.56	0.99	0.93	0.76	0.57	
	ΔT	25	24	21	16	25	24	21	17	25	24	21	17	25	24	21	17	25	24	21	17	23	22	19	15	
	kW	1.82	1.86	1.93	1.99	1.97	2.02	2.09	2.16	2.11	2.16	2.23	2.31	2.23	2.28	2.36	2.44	2.33	2.38	2.47	2.56	2.41	2.47	2.56	2.65	
	Amps	0.1	0.1	0.1	0.1	0.1	0.1	0.1	0.1	0.1	0.1	0.1	0.1	0.1	0.1	0.1	0.1	0.1	0.1	0.1	0.1	0.1	0.1	0.1	0.1	
	Hi PR	205	220	232	242	230	247	261	272	261	281	297	309	297	320	338	352	334	360	380	396	370	398	420	438	
Lo PR	108	115	125	133	114	121	132	141	118	126	137	146	124	132	144	154	130	138	151	161	135	143	156	167		

85	1350	MBh	36.9	37.6	39.4	42.0	36.0	36.7	38.5	41.0	35.2	35.9	37.6	40.1	34.3	35.0	36.6	39.1	32.6	33.2	34.8	37.1	30.2	30.8	32.2	34.4
		S/T	0.99	0.95	0.86	0.70	1.00	0.99	0.89	0.72	1.00	1.00	0.91	0.74	1.00	1.00	0.94	0.77	1.00	1.00	0.98	0.79	1.00	1.00	0.99	0.80
	ΔT	25	24	23	20	25	25	23	20	24	24	23	20	23	24	24	20	23	23	23	20	21	21	22	19	
	kW	1.90	1.94	2.01	2.08	2.06	2.11	2.18	2.26	2.20	2.26	2.33	2.42	2.33	2.38	2.47	2.56	2.43	2.49	2.58	2.67	2.53	2.59	2.68	2.78	
	Amps	0.1	0.1	0.1	0.1	0.1	0.1	0.1	0.1	0.1	0.1	0.1	0.1	0.1	0.1	0.1	0.1	0.1	0.1	0.1	0.1	0.1	0.1	0.1	0.1	
	Hi PR	215	231	244	255	241	260	274	286	275	295	312	325	313	336	355	371	352	379	400	417	389	418	442	461	
	Lo PR	113	120	132	140	120	127	139	148	124	132	144	154	131	139	152	162	137	146	159	169	142	151	164	175	
	MBh	35.8	36.5	38.2	40.8	35.0	35.7	37.4	39.8	34.2	34.8	36.5	38.9	33.3	34.0	35.6	38.0	31.7	32.3	33.8	36.1	29.3	29.9	31.3	33.4	
	S/T	0.94	0.91	0.82	0.67	0.98	0.94	0.85	0.69	1.00	0.97	0.87	0.71	1.00	1.00	0.90	0.73	1.00	1.00	0.93	0.76	1.00	1.00	0.94	0.76	
	ΔT	26	25	24	21	26	26	24	21	26	26	24	21	26	26	25	21	24	25	24	21	22	23	23	20	
1050	1200	kW	1.88	1.93	1.99	2.06	2.04	2.09	2.16	2.24	2.18	2.24	2.31	2.40	2.31	2.36	2.45	2.53	2.41	2.47	2.56	2.65	2.50	2.56	2.65	2.75
		Amps	0.1	0.1	0.1	0.1	0.1	0.1	0.1	0.1	0.1	0.1	0.1	0.1	0.1	0.1	0.1	0.1	0.1	0.1	0.1	0.1	0.1	0.1	0.1	0.1
	Hi PR	213	229	242	252	239	257	272	283	272	292	309	322	310	333	352	367	348	375	396	413	385	414	437	456	
	Lo PR	112	119	130	139	118	126	138	147	123	131	143	152	129	138	150	160	136	144	157	168	140	149	163	173	
	MBh	33.1	33.7	35.3	37.7	32.3	32.9	34.5	36.8	31.5	32.1	33.7	35.9	30.8	31.4	32.8	35.0	29.2	29.8	31.2	33.3	27.1	27.6	28.9	30.8	
	S/T	0.91	0.88	0.79	0.64	0.94	0.91	0.82	0.67	0.97	0.93	0.84	0.68	1.00	0.96	0.87	0.70	1.00	1.00	0.90	0.73	1.00	1.00	0.91	0.74	
	ΔT	26.3	26	24	21	27	26	25	21	27	26	25	21	27	26	25	22	26	26	25	21	24	24	23	20	
	kW	1.84	1.88	1.94	2.01	1.99	2.04	2.11	2.18	2.13	2.18	2.25	2.33	2.25	2.30	2.38	2.47	2.35	2.40	2.49	2.58	2.44	2.49	2.58	2.68	
	Amps	0.1	0.1	0.1	0.1	0.1	0.1	0.1	0.1	0.1	0.1	0.1	0.1	0.1	0.1	0.1	0.1	0.1	0.1	0.1	0.1	0.1	0.1	0.1	0.1	
	Hi PR	207	222	235	245	232	249	263	275	264	284	300	312	300	323	341	356	338	364	384	400	373	402	424	442	
Lo PR	109	116	126	135	115	122	133	142	119	127	139	148	125	133	146	155	131	140	153	163	136	145	158	168		

Shaded area is ARI Rating conditions
 High and low pressures are measured at the liquid and suction service valves.
 IDB: Entering Indoor Dry Bulb Temperature
 kW = Total system power
 Amps = outdoor unit amps (comp. + fan)
 Design Subcooling 5 - 7 °F @ the liquid service valve, ARI 95 test conditions

EXPANDED COOLING DATA — ASZ180481A* HIGH STAGE

IDB	Airflow	Outdoor Ambient Temperature																							
		65°F				75°F				85°F				95°F				105°F				115°F			
		59	63	67	71	59	63	67	71	59	63	67	71	59	63	67	71	59	63	67	71	59	63	67	71
70	MBh	49.0	50.8	55.6	-	47.9	49.6	54.3	-	46.7	48.4	53.1	-	45.6	47.2	51.8	-	43.3	44.9	49.2	-	40.1	41.6	45.5	-
	S/T	0.75	0.63	0.44	-	0.78	0.65	0.45	-	0.80	0.67	0.46	-	0.83	0.69	0.48	-	0.86	0.72	0.50	-	0.87	0.72	0.50	-
	ΔT	17	15	11	-	17	15	11	-	17	15	11	-	18	15	12	-	17	15	11	-	16	14	11	-
	kW	2.88	2.94	3.04	-	3.10	3.17	3.28	-	3.31	3.38	3.49	-	3.48	3.56	3.68	-	3.63	3.72	3.84	-	3.76	3.85	3.98	-
	Amps	10.3	10.6	10.9	-	11.2	11.5	11.8	-	12.2	12.5	12.9	-	13.1	13.4	13.9	-	13.9	14.3	14.8	-	14.8	15.2	15.7	-
	Hi PR	214	231	244	-	241	259	273	-	274	295	311	-	312	335	354	-	351	377	399	-	387	417	440	-
	Lo PR	106	113	123	-	112	119	130	-	116	124	135	-	122	130	142	-	128	136	149	-	132	141	154	-
	MBh	47.6	49.3	54.0	-	46.5	48.2	52.8	-	45.4	47.0	51.5	-	44.3	45.9	50.3	-	42.0	43.6	47.7	-	38.9	40.4	44.2	-
	S/T	0.72	0.60	0.42	-	0.75	0.62	0.43	-	0.76	0.64	0.44	-	0.79	0.66	0.46	-	0.82	0.68	0.47	-	0.83	0.69	0.48	-
	ΔT	18	16	12	-	18	16	12	-	18	16	12	-	18	16	12	-	18	16	12	-	17	15	11	-
	kW	2.85	2.92	3.01	-	3.08	3.15	3.25	-	3.28	3.35	3.46	-	3.45	3.53	3.65	-	3.60	3.68	3.81	-	3.73	3.82	3.95	-
	Amps	10.2	10.5	10.8	-	11.1	11.3	11.7	-	12.1	12.4	12.8	-	12.9	13.3	13.7	-	13.8	14.1	14.6	-	14.7	15.0	15.6	-
Hi PR	212	229	241	-	238	256	271	-	271	292	308	-	309	332	351	-	347	374	395	-	384	413	436	-	
Lo PR	105	112	122	-	111	118	129	-	115	123	134	-	121	129	141	-	127	135	147	-	131	140	152	-	
MBh	43.9	45.5	49.9	-	42.9	44.4	48.7	-	41.9	43.4	47.5	-	40.8	42.3	46.4	-	38.8	40.2	44.1	-	35.9	37.3	40.8	-	
S/T	0.69	0.58	0.40	-	0.72	0.60	0.42	-	0.74	0.62	0.43	-	0.76	0.64	0.44	-	0.79	0.66	0.46	-	0.80	0.66	0.46	-	
ΔT	18	16	12	-	19	16	12	-	19	16	12	-	19	16	12	-	18	16	12	-	17	15	11	-	
kW	2.78	2.84	2.94	-	3.00	3.07	3.17	-	3.20	3.27	3.37	-	3.37	3.44	3.56	-	3.51	3.59	3.71	-	3.64	3.72	3.84	-	
Amps	9.9	10.2	10.5	-	10.7	11.0	11.4	-	11.7	12.0	12.4	-	12.6	12.9	13.3	-	13.4	13.7	14.2	-	14.2	14.6	15.1	-	
Hi PR	206	222	234	-	231	249	263	-	263	283	299	-	299	322	340	-	337	362	383	-	372	400	423	-	
Lo PR	102	108	118	-	108	114	125	-	112	119	130	-	117	125	136	-	123	131	143	-	127	135	148	-	

75	MBh	49.8	51.3	55.5	59.6	48.7	50.1	54.2	58.2	47.5	48.9	52.9	56.8	46.4	47.7	51.7	55.4	44.0	45.3	49.1	52.7	40.8	42.0	45.5	48.8
	S/T	0.86	0.77	0.58	0.37	0.89	0.79	0.60	0.39	0.91	0.81	0.62	0.40	0.94	0.84	0.64	0.41	0.98	0.87	0.66	0.42	0.98	0.88	0.67	0.43
	ΔT	20	18	15	10	20	19	15	11	20	19	15	11	20	19	15	11	20	18	15	10	19	17	14	10
	kW	2.90	2.96	3.06	3.16	3.13	3.20	3.31	3.42	3.33	3.41	3.52	3.64	3.51	3.59	3.71	3.84	3.67	3.75	3.88	4.01	3.80	3.88	4.02	4.16
	Amps	10.4	10.7	11.0	11.4	11.3	11.6	12.0	12.4	12.3	12.6	13.0	13.6	13.2	13.5	14.0	14.5	14.1	14.4	14.9	15.5	14.9	15.3	15.9	16.5
	Hi PR	217	233	246	257	243	262	276	288	277	298	314	328	315	339	358	373	354	381	403	420	391	421	445	464
	Lo PR	107	114	124	132	113	120	131	140	118	125	137	145	123	131	143	153	129	138	150	160	134	142	155	166
	MBh	48.4	49.8	53.9	57.9	47.3	48.6	52.7	56.5	46.1	47.5	51.4	55.2	45.0	46.3	50.2	53.8	42.8	44.0	47.6	51.1	39.6	40.8	44.1	47.4
	S/T	0.82	0.73	0.55	0.36	0.85	0.76	0.57	0.37	0.87	0.78	0.59	0.38	0.90	0.80	0.61	0.39	0.93	0.83	0.63	0.41	0.94	0.84	0.64	0.41
	ΔT	21	19	16	11	21	19	16	11	21	19	16	11	21	20	16	11	21	19	16	11	20	18	15	10
	kW	2.88	2.94	3.04	3.14	3.11	3.17	3.28	3.39	3.31	3.38	3.49	3.61	3.48	3.56	3.68	3.81	3.63	3.72	3.84	3.98	3.76	3.85	3.98	4.12
	Amps	10.3	10.6	10.9	11.3	11.2	11.5	11.8	12.3	12.2	12.5	12.9	13.4	13.1	13.4	13.9	14.4	13.9	14.3	14.8	15.4	14.8	15.2	15.7	16.3
Hi PR	215	231	244	254	241	259	274	285	274	295	311	324	312	336	354	370	351	377	399	416	388	417	440	459	
Lo PR	106	113	123	131	112	119	130	138	116	124	135	144	122	130	142	151	128	136	149	158	133	141	154	164	
MBh	44.7	46.0	49.8	53.4	43.6	44.9	48.6	52.2	42.6	43.8	47.4	50.9	41.5	42.8	46.3	49.7	39.5	40.6	44.0	47.2	36.6	37.6	40.7	43.7	
S/T	0.79	0.70	0.53	0.34	0.82	0.73	0.55	0.36	0.84	0.75	0.57	0.36	0.86	0.77	0.59	0.38	0.90	0.80	0.61	0.39	0.90	0.81	0.61	0.39	
ΔT	21	19	16	11	21	20	16	11	21	20	16	11	22	20	16	11	22	20	16	11	20	18	15	10	
kW	2.81	2.87	2.96	3.06	3.03	3.09	3.20	3.30	3.22	3.29	3.40	3.52	3.39	3.47	3.59	3.71	3.54	3.62	3.74	3.87	3.67	3.75	3.88	4.01	
Amps	10.0	10.3	10.6	11.0	10.9	11.1	11.5	12.0	11.8	12.1	12.6	13.0	12.7	13.0	13.5	14.0	13.5	13.9	14.4	14.9	14.4	14.7	15.2	15.9	
Hi PR	208	224	236	247	233	251	265	277	266	286	302	315	302	325	344	358	340	366	387	403	376	405	427	446	
Lo PR	103	109	119	127	109	116	126	134	113	120	131	140	119	126	138	147	124	132	144	154	129	137	149	159	

Shaded area is ACCA (TVA) conditions IDB: Entering Indoor Dry Bulb Temperature kW = Total system power Amps = outdoor unit amps (comp. + fan)
 High and low pressures are measured at the liquid and suction service valves. Design Subcooling 5 - 7 °F @ the liquid service valve, ARI 95 test conditions

EXPANDED COOLING DATA — ASZ180481A* HIGH STAGE (CONT.)

IDB	Airflow	Outdoor Ambient Temperature																							
		65°F				75°F				85°F				95°F				105°F				115°F			
		59	63	67	71	59	63	67	71	59	63	67	71	59	63	67	71	59	63	67	71	59	63	67	71
80	MBh	50.7	51.8	55.4	59.2	49.5	50.6	54.1	57.8	48.4	49.4	52.8	56.4	47.2	48.2	51.5	55.1	44.8	45.8	48.9	52.3	41.5	42.4	45.3	48.4
	S/T	0.94	0.88	0.72	0.54	1.00	0.91	0.74	0.56	1.00	0.94	0.76	0.57	1.00	0.97	0.79	0.59	1.00	1.00	0.82	0.61	1.00	1.00	0.82	0.62
	ΔT	22	21	19	15	23	22	19	15	22	22	19	15	22	22	19	15	21	21	19	15	19	20	17	14
	kW	2.93	2.99	3.09	3.19	3.16	3.23	3.33	3.45	3.36	3.44	3.55	3.67	3.54	3.62	3.75	3.87	3.70	3.78	3.91	4.05	3.83	3.92	4.05	4.19
	Amps	10.5	10.8	11.1	11.6	11.4	11.7	12.1	12.5	12.4	12.7	13.2	13.7	13.3	13.6	14.1	14.7	14.2	14.6	15.1	15.7	15.1	15.5	16.0	16.6
	Hi PR	219	236	249	259	246	264	279	291	279	301	317	331	318	342	361	377	358	385	407	424	395	426	449	469
	Lo PR	108	115	126	134	114	122	133	141	119	126	138	147	125	133	145	154	131	139	152	162	135	144	157	167
	MBh	49.2	50.3	53.8	57.5	48.1	49.1	52.5	56.1	46.9	48.0	51.3	54.8	45.8	46.8	50.0	53.5	43.5	44.5	47.5	50.8	40.3	41.2	44.0	47.0
	S/T	0.90	0.84	0.68	0.51	0.93	0.87	0.71	0.53	0.95	0.89	0.73	0.54	0.98	0.92	0.75	0.56	1.00	0.96	0.78	0.58	1.00	0.97	0.79	0.59
	ΔT	23	22	19	15	23	22	20	16	23	23	20	16	24	23	20	16	24	23	22	19	21	21	18	15
	kW	2.90	2.96	3.06	3.16	3.13	3.20	3.31	3.42	3.33	3.41	3.52	3.64	3.51	3.59	3.71	3.84	3.67	3.75	3.88	4.01	3.80	3.88	4.02	4.16
	Amps	10.4	10.7	11.0	11.5	11.3	11.6	12.0	12.4	12.3	12.6	13.0	13.6	13.2	13.5	14.0	14.5	14.1	14.4	14.9	15.5	14.9	15.3	15.9	16.5
Hi PR	217	233	246	257	243	262	276	288	277	298	314	328	315	339	358	373	354	381	403	420	391	421	445	464	
Lo PR	107	114	124	132	113	120	131	140	118	125	137	145	123	131	143	153	129	138	150	160	134	142	155	166	
MBh	45.4	46.4	49.6	53.0	44.4	45.4	48.5	51.8	43.3	44.3	47.3	50.6	42.3	43.2	46.2	49.3	40.2	41.0	43.8	46.9	37.2	38.0	40.6	43.4	
S/T	0.86	0.81	0.66	0.49	0.90	0.84	0.68	0.51	0.92	0.86	0.70	0.52	0.95	0.89	0.72	0.54	0.98	0.92	0.75	0.56	0.99	0.93	0.76	0.57	
ΔT	24	23	20	16	24	23	20	16	24	23	20	16	24	23	20	16	24	23	20	16	22	21	18	15	
kW	2.83	2.89	2.98	3.08	3.05	3.12	3.22	3.33	3.25	3.32	3.43	3.55	3.42	3.50	3.62	3.74	3.57	3.65	3.78	3.91	3.70	3.78	3.91	4.05	
Amps	10.1	10.4	10.7	11.1	11.0	11.2	11.6	12.1	11.9	12.3	12.7	13.2	12.8	13.1	13.6	14.1	13.7	14.0	14.5	15.1	14.5	14.9	15.4	16.0	
Hi PR	210	226	239	249	236	254	268	280	268	289	305	318	306	329	347	362	344	370	391	407	380	409	432	450	
Lo PR	104	110	121	128	110	117	127	136	114	121	132	141	120	127	139	148	126	134	146	155	130	138	151	161	

85	MBh	51.6	52.6	55.1	58.8	50.4	51.4	53.8	57.4	49.2	50.2	52.5	56.0	48.0	48.9	51.2	54.7	45.6	46.5	48.7	51.9	42.2	43.1	45.1	48.1
	S/T	0.99	0.95	0.86	0.70	1.00	0.99	0.89	0.72	1.00	1.00	0.91	0.74	1.00	1.00	0.94	0.76	1.00	1.00	0.98	0.79	1.00	1.00	0.99	0.80
	ΔT	24	23	22	19	24	24	22	19	23	23	22	19	22	23	23	19	22	22	22	19	20	20	21	18
	kW	2.95	3.01	3.11	3.22	3.18	3.25	3.36	3.48	3.39	3.47	3.58	3.71	3.57	3.65	3.78	3.91	3.73	3.81	3.94	4.08	3.86	3.95	4.09	4.23
	Amps	10.6	10.9	11.2	11.7	11.5	11.8	12.2	12.7	12.5	12.9	13.3	13.8	13.4	13.8	14.3	14.8	14.3	14.7	15.2	15.8	15.2	15.6	16.2	16.8
	Hi PR	221	238	251	262	248	267	282	294	282	304	321	334	321	346	365	381	361	389	411	428	399	430	454	473
	Lo PR	109	116	127	135	115	123	134	143	120	128	139	148	126	134	146	156	132	140	153	163	137	145	159	169
	MBh	50.1	51.1	53.5	57.1	48.9	49.9	52.2	55.7	47.8	48.7	51.0	54.4	46.6	47.5	49.8	53.1	44.3	45.1	47.3	50.4	41.0	41.8	43.8	46.7
	S/T	0.94	0.91	0.82	0.66	0.97	0.94	0.85	0.69	1.00	0.96	0.87	0.71	1.00	0.99	0.90	0.73	1.00	1.00	0.93	0.76	1.00	1.00	0.94	0.76
	ΔT	25	24	23	20	25	25	23	20	25	25	23	20	24	25	23	20	24	24	23	20	22	22	22	19
	kW	2.93	2.99	3.09	3.19	3.16	3.23	3.33	3.45	3.36	3.44	3.55	3.67	3.54	3.62	3.75	3.87	3.70	3.78	3.91	4.05	3.83	3.92	4.05	4.19
	Amps	10.5	10.8	11.1	11.6	11.4	11.7	12.1	12.5	12.4	12.7	13.2	13.7	13.3	13.6	14.1	14.7	14.2	14.6	15.1	15.7	15.1	15.5	16.0	16.6
Hi PR	219	236	249	259	246	264	279	291	279	301	317	331	318	342	361	377	358	385	407	424	395	426	449	469	
Lo PR	108	115	126	134	114	122	133	141	119	126	138	147	125	133	145	154	131	139	152	162	135	144	157	167	
MBh	46.2	47.1	49.4	52.7	45.2	46.0	48.2	51.4	44.1	44.9	47.1	50.2	43.0	43.8	45.9	49.0	40.9	41.7	43.6	46.5	37.9	38.6	40.4	43.1	
S/T	0.91	0.87	0.79	0.64	0.94	0.91	0.82	0.66	0.96	0.93	0.84	0.68	0.99	0.96	0.87	0.70	1.00	1.00	0.90	0.73	1.00	1.00	0.91	0.74	
ΔT	25	25	23	20	25	25	24	20	25	25	24	21	26	25	24	21	26	25	24	20	23	23	22	19	
kW	2.85	2.92	3.01	3.11	3.08	3.15	3.25	3.36	3.28	3.35	3.46	3.58	3.45	3.53	3.65	3.77	3.60	3.68	3.81	3.94	3.73	3.82	3.95	4.08	
Amps	10.2	10.5	10.8	11.2	11.1	11.3	11.7	12.2	12.1	12.4	12.8	13.3	12.9	13.3	13.7	14.3	13.8	14.1	14.6	15.2	14.6	15.0	15.5	16.2	
Hi PR	212	228	241	252	238	256	271	282	271	292	308	321	309	332	351	366	347	374	394	411	384	413	436	455	
Lo PR	105	112	122	130	111	118	129	137	115	123	134	142	121	129	140	150	127	135	147	157	131	139	152	162	

Shaded area is ARI Rating conditions
 High and low pressures are measured at the liquid and suction service valves.
 IDB: Entering Indoor Dry Bulb Temperature
 kW = Total system power
 Amps = outdoor unit amps (comp. + fan)
 Design Subcooling 5 - 7 °F @ the liquid service valve, ARI 95 test conditions

EXPANDED COOLING DATA — ASZ180601A* LOW STAGE

IDB	Airflow	Outdoor Ambient Temperature																							
		65°F				75°F				85°F				95°F				105°F				115°F			
		59	63	67	71	59	63	67	71	59	63	67	71	59	63	67	71	59	63	67	71	59	63	67	71
70	MBh	41.6	43.1	47.2	-	40.6	42.1	46.1	-	39.7	41.1	45.0	-	38.7	40.1	43.9	-	36.8	38.1	41.7	-	34.0	35.3	38.7	-
	S/T	0.71	0.59	0.41	-	0.74	0.62	0.43	-	0.76	0.63	0.44	-	0.78	0.65	0.45	-	0.81	0.68	0.47	-	0.82	0.68	0.47	-
	ΔT	20	17	13	-	20	18	13	-	21	18	13	-	21	18	14	-	20	18	13	-	19	16	12	-
	kW	2.35	2.41	2.49	-	2.55	2.61	2.71	-	2.73	2.80	2.90	-	2.89	2.96	3.06	-	3.02	3.09	3.21	-	3.14	3.21	3.33	-
	Amps	9.1	9.4	9.7	-	9.9	10.2	10.5	-	10.8	11.1	11.5	-	11.6	11.9	12.3	-	12.3	12.7	13.1	-	13.1	13.4	13.9	-
	HiPR	209	225	237	-	234	252	266	-	266	287	303	-	303	326	345	-	341	367	388	-	377	406	428	-
	LoPR	105	112	122	-	111	118	129	-	115	123	134	-	121	129	141	-	127	135	147	-	131	140	152	-
	MBh	40.4	41.8	45.9	-	39.4	40.9	44.8	-	38.5	39.9	43.7	-	37.6	38.9	42.7	-	35.7	37.0	40.5	-	33.1	34.3	37.5	-
	S/T	0.68	0.57	0.39	-	0.70	0.59	0.41	-	0.72	0.60	0.42	-	0.74	0.62	0.43	-	0.77	0.65	0.45	-	0.78	0.65	0.45	-
	ΔT	21	18	14	-	21	18	14	-	21	18	14	-	21	19	14	-	21	18	14	-	20	17	13	-
kW	2.33	2.39	2.47	-	2.53	2.59	2.68	-	2.71	2.77	2.87	-	2.86	2.93	3.04	-	2.99	3.07	3.18	-	3.11	3.18	3.30	-	
Amps	9.1	9.3	9.6	-	9.8	10.1	10.4	-	10.7	11.0	11.4	-	11.5	11.8	12.2	-	12.2	12.5	13.0	-	13.0	13.3	13.8	-	
HiPR	207	222	235	-	232	249	263	-	264	284	300	-	300	323	341	-	338	364	384	-	373	402	424	-	
LoPR	104	111	121	-	110	117	128	-	114	121	133	-	120	128	139	-	126	134	146	-	130	138	151	-	
MBh	37.3	38.6	42.3	-	36.4	37.7	41.3	-	35.5	36.8	40.4	-	34.7	35.9	39.4	-	32.9	34.1	37.4	-	30.5	31.6	34.6	-	
S/T	0.65	0.55	0.38	-	0.68	0.57	0.39	-	0.70	0.58	0.40	-	0.72	0.60	0.42	-	0.75	0.62	0.43	-	0.75	0.63	0.43	-	
ΔT	21	18	14	-	22	19	14	-	22	19	14	-	22	19	14	-	22	19	14	-	21	17	13	-	
kW	2.27	2.32	2.40	-	2.46	2.52	2.61	-	2.63	2.70	2.79	-	2.78	2.85	2.95	-	2.91	2.98	3.09	-	3.02	3.10	3.21	-	
Amps	8.8	9.0	9.3	-	9.5	9.8	10.1	-	10.4	10.7	11.0	-	11.1	11.4	11.8	-	11.9	12.2	12.6	-	12.6	12.9	13.4	-	
HiPR	200	216	228	-	225	242	256	-	256	275	291	-	291	313	331	-	328	353	372	-	362	390	411	-	
LoPR	101	107	117	-	107	113	124	-	111	118	129	-	116	124	135	-	122	130	142	-	126	134	146	-	

75	MBh	42.3	43.5	47.1	50.6	41.3	42.5	46.0	49.4	40.3	41.5	44.9	48.2	39.3	40.5	43.8	47.1	37.4	38.5	41.7	44.7	34.6	35.6	38.6	41.4
	S/T	0.81	0.72	0.55	0.35	0.84	0.75	0.57	0.37	0.86	0.77	0.58	0.37	0.89	0.79	0.60	0.39	0.92	0.82	0.62	0.40	0.93	0.83	0.63	0.40
	ΔT	23	21	18	12	24	22	18	12	24	22	18	12	24	22	18	12	23	22	18	12	22	20	17	11
	kW	2.37	2.43	2.51	2.60	2.58	2.64	2.73	2.83	2.76	2.82	2.92	3.03	2.91	2.98	3.09	3.20	3.05	3.12	3.24	3.35	3.17	3.24	3.36	3.48
	Amps	9.2	9.5	9.8	10.2	10.0	10.3	10.6	11.0	10.9	11.2	11.6	12.0	11.7	12.0	12.4	12.9	12.5	12.8	13.2	13.7	13.2	13.6	14.0	14.6
	HiPR	211	227	240	250	237	255	269	280	269	289	306	319	306	330	348	363	345	371	392	409	381	410	433	451
	LoPR	106	113	123	131	112	119	130	139	116	124	135	144	122	130	142	151	128	136	149	159	133	141	154	164
	MBh	41.1	42.3	45.8	49.1	40.1	41.3	44.7	48.0	39.2	40.3	43.6	46.8	38.2	39.3	42.6	45.7	36.3	37.4	40.4	43.4	33.6	34.6	37.5	40.2
	S/T	0.77	0.69	0.52	0.34	0.80	0.72	0.54	0.35	0.82	0.73	0.55	0.36	0.85	0.76	0.57	0.37	0.88	0.79	0.59	0.38	0.89	0.79	0.60	0.39
	ΔT	24	22	18	13	25	23	19	13	25	23	19	13	25	23	19	13	24	22	18	13	23	21	17	12
kW	2.35	2.41	2.49	2.58	2.55	2.61	2.71	2.80	2.73	2.80	2.90	3.00	2.89	2.96	3.06	3.18	3.02	3.09	3.21	3.32	3.14	3.21	3.33	3.45	
Amps	9.1	9.4	9.7	10.1	9.9	10.2	10.5	10.9	10.8	11.1	11.5	11.9	11.6	11.9	12.3	12.8	12.3	12.7	13.1	13.6	13.1	13.4	13.9	14.5	
HiPR	209	225	237	247	234	252	266	278	266	287	303	316	303	326	345	360	341	367	388	404	377	406	428	447	
LoPR	105	112	122	130	111	118	129	137	115	123	134	143	121	129	141	150	127	135	147	157	131	140	152	162	
MBh	37.9	39.0	42.2	45.3	37.0	38.1	41.3	44.3	36.1	37.2	40.3	43.2	35.3	36.3	39.3	42.2	33.5	34.5	37.3	40.1	31.0	31.9	34.6	37.1	
S/T	0.74	0.67	0.50	0.32	0.77	0.69	0.52	0.34	0.79	0.71	0.54	0.34	0.82	0.73	0.55	0.36	0.85	0.76	0.57	0.37	0.85	0.76	0.58	0.37	
ΔT	25	23	19	13	25	23	19	13	25	23	19	13	25	23	19	13	25	23	19	13	23	21	17	12	
kW	2.29	2.34	2.43	2.51	2.49	2.54	2.63	2.73	2.66	2.72	2.82	2.92	2.81	2.88	2.98	3.09	2.94	3.01	3.12	3.23	3.05	3.12	3.24	3.36	
Amps	8.9	9.1	9.4	9.8	9.6	9.9	10.2	10.6	10.5	10.8	11.1	11.6	11.2	11.5	11.9	12.4	12.0	12.3	12.7	13.2	12.7	13.1	13.5	14.0	
HiPR	202	218	230	240	227	244	258	269	258	278	294	306	294	317	334	349	331	356	376	392	366	394	416	434	
LoPR	102	108	118	126	108	114	125	133	112	119	130	138	117	125	136	145	123	131	143	152	127	135	148	158	

Shaded area is ACCA (TVA) conditions
 High and low pressures are measured at the liquid and suction service valves.
 IDB: Entering Indoor Dry Bulb Temperature
 kW = Total system power
 Amps = outdoor unit amps (comp. + fan)
 Design Subcooling 5 - 7 °F @ the liquid service valve, ARI 95 test conditions

EXPANDED COOLING DATA — ASZ180601A* Low Stage (CONT.)

IDB	Airflow	Outdoor Ambient Temperature																								
		65°F				75°F				85°F				95°F				105°F				115°F				
		59	63	67	71	59	63	67	71	59	63	67	71	59	63	67	71	59	63	67	71	59	63	67	71	
80	1350	MBh	43.0	44.0	47.0	50.2	42.0	43.0	45.9	49.1	41.0	41.9	44.8	47.9	40.0	40.9	43.7	46.7	38.0	38.9	41.5	44.4	35.2	36.0	38.5	41.1
		S/T	0.89	0.83	0.68	0.51	0.92	0.86	0.70	0.52	0.94	0.88	0.72	0.54	1.00	0.91	0.74	0.56	1.00	0.95	0.77	0.58	1.00	0.96	0.78	0.58
	ΔT	26	25	22	17	26	25	22	18	27	25	22	18	27	25	22	18	27	25	22	17	24	23	20	16	
	kW	2.39	2.45	2.54	2.63	2.60	2.66	2.76	2.86	2.78	2.85	2.95	3.06	2.94	3.01	3.12	3.23	3.08	3.15	3.27	3.38	3.19	3.27	3.39	3.52	
	Amps	9.3	9.5	9.9	10.3	10.1	10.4	10.7	11.1	11.0	11.3	11.7	12.1	11.8	12.1	12.5	13.0	12.6	12.9	13.4	13.9	13.4	13.7	14.2	14.7	
	Hi PR	213	229	242	252	239	257	271	283	272	292	309	322	309	333	352	367	348	375	396	413	385	414	437	456	
	Lo PR	107	114	124	133	113	120	131	140	118	125	137	146	124	131	144	153	130	138	150	160	134	143	156	166	
	MBh	41.8	42.7	45.6	48.8	40.8	41.7	44.6	47.6	39.8	40.7	43.5	46.5	38.9	39.7	42.4	45.4	36.9	37.7	40.3	43.1	34.2	35.0	37.3	39.9	
	S/T	0.85	0.79	0.65	0.48	0.88	0.82	0.67	0.50	0.90	0.84	0.69	0.51	0.93	0.87	0.71	0.53	0.96	0.90	0.74	0.55	0.97	0.91	0.74	0.55	
	ΔT	27	26	23	18	27	26	23	18	27	26	23	18	28	26	23	18	27	26	23	18	25	24	21	17	
1050	1200	kW	2.37	2.43	2.51	2.60	2.58	2.64	2.73	2.83	2.76	2.82	2.92	3.03	2.91	2.98	3.09	3.20	3.05	3.12	3.24	3.35	3.17	3.24	3.36	3.48
		Amps	9.2	9.5	9.8	10.2	10.0	10.3	10.6	11.0	10.9	11.2	11.6	12.0	11.7	12.0	12.4	12.9	12.5	12.8	13.2	13.7	13.2	13.6	14.0	14.6
	Hi PR	211	227	240	250	237	255	269	280	269	290	306	319	306	330	348	363	345	371	392	409	381	410	433	451	
	Lo PR	106	113	123	131	112	119	130	139	116	124	135	144	122	130	142	151	128	136	149	159	133	141	154	164	
	MBh	38.6	39.4	42.1	45.0	37.7	38.5	41.1	44.0	36.8	37.6	40.2	42.9	35.9	36.7	39.2	41.9	34.1	34.8	37.2	39.8	31.6	32.3	34.5	36.9	
	S/T	0.82	0.77	0.62	0.47	0.85	0.79	0.65	0.48	0.87	0.81	0.66	0.49	0.89	0.84	0.68	0.51	0.93	0.87	0.71	0.53	0.94	0.88	0.71	0.53	
	ΔT	28	26	23	18	28	27	23	19	28	27	23	19	28	27	23	19	28	27	23	18	26	25	22	17	
	kW	2.31	2.36	2.45	2.53	2.51	2.57	2.66	2.75	2.68	2.75	2.84	2.95	2.84	2.90	3.01	3.12	2.97	3.04	3.15	3.26	3.08	3.15	3.27	3.39	
	Amps	9.0	9.2	9.5	9.9	9.7	10.0	10.3	10.7	10.6	10.9	11.2	11.7	11.4	11.6	12.0	12.5	12.1	12.4	12.8	13.4	12.9	13.2	13.6	14.2	
	Hi PR	204	220	232	242	229	247	261	272	261	281	297	309	297	320	338	352	334	360	380	396	369	398	420	438	
Lo PR	103	109	120	127	109	116	126	134	113	120	131	140	119	126	138	147	124	132	144	154	129	137	149	159		

85	1350	MBh	43.8	44.6	46.8	49.9	42.8	43.6	45.7	48.7	41.8	42.6	44.6	47.6	40.7	41.5	43.5	46.4	38.7	39.5	41.3	44.1	35.9	36.5	38.3	40.8
		S/T	0.93	0.90	0.81	0.66	0.96	0.93	0.84	0.68	0.99	0.95	0.86	0.70	1.00	0.98	0.89	0.72	1.00	1.00	0.92	0.75	1.00	1.00	0.93	0.75
	ΔT	28	27	26	22	28	28	26	23	28	28	26	23	28	28	26	23	26	27	26	22	24	25	24	21	
	kW	2.42	2.47	2.56	2.65	2.62	2.69	2.78	2.88	2.81	2.87	2.98	3.08	2.97	3.04	3.15	3.26	3.10	3.18	3.30	3.42	3.22	3.30	3.42	3.55	
	Amps	9.4	9.6	10.0	10.4	10.2	10.5	10.8	11.2	11.1	11.4	11.8	12.3	11.9	12.2	12.6	13.1	12.7	13.0	13.5	14.0	13.5	13.8	14.3	14.9	
	Hi PR	215	231	244	255	241	260	274	286	274	295	312	325	313	336	355	370	352	378	400	417	389	418	442	460	
	Lo PR	108	115	126	134	114	122	133	141	119	126	138	147	125	133	145	154	131	139	152	162	135	144	157	167	
	MBh	42.5	43.3	45.4	48.4	41.5	42.3	44.3	47.3	40.5	41.3	43.3	46.2	39.6	40.3	42.2	45.1	37.6	38.3	40.1	42.8	34.8	35.5	37.2	39.6	
	S/T	0.89	0.86	0.77	0.63	0.92	0.89	0.80	0.65	0.94	0.91	0.82	0.67	0.97	0.94	0.85	0.69	1.00	0.97	0.88	0.71	1.00	0.98	0.89	0.72	
	ΔT	29	28	27	23	29	29	27	24	29	29	27	24	29	29	27	24	29	29	27	23	27	27	25	22	
1050	1200	kW	2.39	2.45	2.54	2.63	2.60	2.66	2.76	2.86	2.78	2.85	2.95	3.06	2.94	3.01	3.12	3.23	3.08	3.15	3.27	3.38	3.19	3.27	3.39	3.52
		Amps	9.3	9.5	9.9	10.3	10.1	10.4	10.7	11.1	11.0	11.3	11.7	12.1	11.8	12.1	12.5	13.0	12.6	12.9	13.4	13.9	13.4	13.7	14.2	14.7
	Hi PR	213	229	242	252	239	257	271	283	272	292	309	322	309	333	352	367	348	375	396	413	385	414	437	456	
	Lo PR	107	114	124	133	113	120	131	140	118	125	137	146	124	131	144	153	130	138	150	160	134	143	156	166	
	MBh	39.2	40.0	41.9	44.7	38.3	39.1	40.9	43.7	37.4	38.1	40.0	42.6	36.5	37.2	39.0	41.6	34.7	35.4	37.0	39.5	32.1	32.7	34.3	36.6	
	S/T	0.86	0.83	0.74	0.60	0.89	0.86	0.77	0.63	0.91	0.88	0.79	0.64	0.94	0.91	0.82	0.66	0.97	0.94	0.85	0.69	0.98	0.95	0.86	0.69	
	ΔT	29.4	29	27	24	30	29	28	24	30	29	28	24	30	29	28	24	30	29	27	24	28	27	26	22	
	kW	2.33	2.39	2.47	2.56	2.53	2.59	2.68	2.78	2.71	2.77	2.87	2.97	2.86	2.93	3.03	3.15	2.99	3.07	3.18	3.29	3.11	3.18	3.30	3.42	
	Amps	9.1	9.3	9.6	10.0	9.8	10.1	10.4	10.8	10.7	11.0	11.3	11.8	11.5	11.8	12.2	12.6	12.2	12.5	13.0	13.5	13.0	13.3	13.8	14.3	
	Hi PR	207	222	235	245	232	249	263	275	264	284	300	312	300	323	341	356	338	363	384	400	373	402	424	442	
Lo PR	104	111	121	129	110	117	128	136	114	121	133	141	120	128	139	148	126	134	146	155	130	138	151	161		

Shaded area is ARI Rating conditions
 High and low pressures are measured at the liquid and suction service valves.
 IDB: Entering Indoor Dry Bulb Temperature
 kW = Total system power
 ARI = Rating conditions
 Amps = outdoor unit amps (comp. + fan)
 Design Subcooling 5 - 7 °F @ the liquid service valve, ARI 95 test conditions

EXPANDED COOLING DATA — ASZ180601A* HIGH STAGE

IDB	Airflow	Outdoor Ambient Temperature																							
		65°F				75°F				85°F				95°F				105°F				115°F			
		59	63	67	71	59	63	67	71	59	63	67	71	59	63	67	71	59	63	67	71	59	63	67	71
70	MBh	55.4	57.4	62.9	-	54.1	56.1	61.4	-	52.8	54.7	59.9	-	51.5	53.4	58.5	-	48.9	50.7	55.6	-	45.3	47.0	51.5	-
	S/T	0.72	0.60	0.42	-	0.75	0.63	0.43	-	0.77	0.64	0.44	-	0.79	0.66	0.46	-	0.82	0.69	0.48	-	0.83	0.69	0.48	-
	ΔT	19	16	12	-	19	16	12	-	19	16	12	-	19	16	13	-	19	16	12	-	18	15	12	-
	kW	3.59	3.67	3.80	-	3.89	3.98	4.11	-	4.15	4.24	4.39	-	4.38	4.48	4.64	-	4.57	4.68	4.85	-	4.74	4.86	5.03	-
	Amps	7.2	7.5	8.0	-	8.3	8.7	9.2	-	9.6	10.0	10.6	-	10.8	11.2	11.8	-	11.9	12.4	13.0	-	13.0	13.5	14.2	-
	HiPR	218	235	248	-	245	264	278	-	279	300	317	-	317	342	361	-	357	384	406	-	395	425	448	-
	LoPR	101	107	117	-	106	113	124	-	111	118	129	-	116	124	135	-	122	130	141	-	126	134	146	-
	MBh	53.8	55.7	61.0	-	52.5	54.4	59.6	-	51.3	53.1	58.2	-	50.0	51.8	56.8	-	47.5	49.2	53.9	-	44.0	45.6	50.0	-
	S/T	0.69	0.58	0.40	-	0.71	0.60	0.41	-	0.73	0.61	0.42	-	0.76	0.63	0.44	-	0.78	0.66	0.45	-	0.79	0.66	0.46	-
	ΔT	19	17	13	-	20	17	13	-	20	17	13	-	20	17	13	-	20	17	13	-	18	16	12	-
kW	3.56	3.64	3.76	-	3.85	3.94	4.08	-	4.11	4.21	4.35	-	4.34	4.44	4.60	-	4.53	4.64	4.80	-	4.70	4.81	4.98	-	
Amps	7.1	7.4	7.9	-	8.2	8.5	9.1	-	9.5	9.9	10.4	-	10.6	11.0	11.6	-	11.7	12.2	12.8	-	12.8	13.3	14.0	-	
HiPR	216	233	246	-	243	261	276	-	276	297	314	-	314	338	357	-	354	381	402	-	391	420	444	-	
LoPR	100	106	116	-	105	112	122	-	110	117	127	-	115	122	134	-	121	128	140	-	125	133	145	-	
MBh	49.6	51.4	56.3	-	48.5	50.2	55.0	-	47.3	49.0	53.7	-	46.2	47.8	52.4	-	43.8	45.4	49.8	-	40.6	42.1	46.1	-	
S/T	0.66	0.55	0.38	-	0.69	0.58	0.40	-	0.71	0.59	0.41	-	0.73	0.61	0.42	-	0.76	0.63	0.44	-	0.76	0.64	0.44	-	
ΔT	20	17	13	-	20	17	13	-	20	17	13	-	20	17	13	-	20	17	13	-	19	16	12	-	
kW	3.47	3.55	3.67	-	3.75	3.84	3.97	-	4.01	4.10	4.24	-	4.23	4.33	4.47	-	4.42	4.52	4.68	-	4.58	4.69	4.85	-	
Amps	6.7	7.0	7.5	-	7.8	8.1	8.6	-	9.0	9.4	10.0	-	10.1	10.5	11.1	-	11.2	11.7	12.3	-	12.3	12.8	13.4	-	
HiPR	210	226	238	-	235	253	267	-	268	288	304	-	305	328	346	-	343	369	390	-	379	408	431	-	
LoPR	97	103	112	-	102	109	119	-	106	113	123	-	112	119	130	-	117	124	136	-	121	129	141	-	

75	MBh	56.3	58.0	62.7	67.3	55.0	56.6	61.3	65.8	53.7	55.3	59.8	64.2	52.4	53.9	58.4	62.6	49.8	51.2	55.5	59.5	46.1	47.5	51.4	55.1
	S/T	0.82	0.73	0.56	0.36	0.85	0.76	0.58	0.37	0.87	0.78	0.59	0.38	0.90	0.81	0.61	0.39	0.93	0.84	0.63	0.41	0.94	0.84	0.64	0.41
	ΔT	22	20	16	11	22	20	16	11	22	20	17	11	22	20	17	11	22	20	16	11	20	19	15	11
	kW	3.62	3.71	3.83	3.96	3.92	4.01	4.15	4.29	4.19	4.28	4.43	4.59	4.42	4.52	4.68	4.84	4.62	4.72	4.89	5.06	4.79	4.90	5.07	5.25
	Amps	7.3	7.7	8.1	8.7	8.5	8.8	9.4	10.0	9.8	10.2	10.8	11.4	10.9	11.4	12.0	12.7	12.1	12.5	13.2	14.0	13.2	13.7	14.4	15.2
	HiPR	221	237	251	261	248	266	281	293	282	303	320	334	321	345	364	380	361	388	410	428	399	429	453	472
	LoPR	102	108	118	126	108	114	125	133	112	119	130	138	117	125	136	145	123	131	143	152	127	135	148	157
	MBh	54.7	56.3	60.9	65.4	53.4	55.0	59.5	63.9	52.1	53.7	58.1	62.3	50.9	52.4	56.7	60.8	48.3	49.7	53.8	57.8	44.7	46.1	49.9	53.5
	S/T	0.78	0.70	0.53	0.34	0.81	0.73	0.55	0.35	0.83	0.74	0.56	0.36	0.86	0.77	0.58	0.37	0.89	0.80	0.60	0.39	0.90	0.80	0.61	0.39
	ΔT	22	21	17	12	23	21	17	12	23	21	17	12	23	21	17	12	23	21	17	12	21	19	16	11
kW	3.59	3.67	3.80	3.93	3.89	3.98	4.11	4.26	4.15	4.25	4.39	4.55	4.38	4.48	4.64	4.80	4.58	4.68	4.85	5.02	4.74	4.86	5.03	5.21	
Amps	7.2	7.5	8.0	8.5	8.3	8.7	9.2	9.8	9.6	10.0	10.6	11.3	10.8	11.2	11.8	12.5	11.9	12.4	13.0	13.8	13.0	13.5	14.2	15.0	
HiPR	218	235	248	259	245	264	279	291	279	300	317	330	318	342	361	376	357	384	406	423	395	425	448	468	
LoPR	101	107	117	125	106	113	124	132	111	118	129	137	116	124	135	144	122	130	142	151	126	134	146	156	
MBh	50.5	51.9	56.2	60.3	49.3	50.7	54.9	58.9	48.1	49.5	53.6	57.5	46.9	48.3	52.3	56.1	44.6	45.9	49.7	53.3	41.3	42.5	46.0	49.4	
S/T	0.76	0.68	0.51	0.33	0.78	0.70	0.53	0.34	0.80	0.72	0.54	0.35	0.83	0.74	0.56	0.36	0.86	0.77	0.58	0.37	0.87	0.78	0.59	0.38	
ΔT	23	21	17	12	23	21	17	12	23	21	17	12	23	21	18	12	23	21	17	12	21	20	16	11	
kW	3.50	3.58	3.70	3.83	3.79	3.87	4.01	4.14	4.04	4.13	4.28	4.43	4.26	4.36	4.52	4.67	4.45	4.56	4.72	4.89	4.62	4.73	4.89	5.07	
Amps	6.8	7.1	7.6	8.1	7.9	8.3	8.8	9.3	9.2	9.6	10.1	10.8	10.3	10.7	11.3	12.0	11.4	11.8	12.5	13.2	12.5	13.0	13.6	14.4	
HiPR	212	228	241	251	238	256	270	282	270	291	307	320	308	331	350	365	346	373	394	411	383	412	435	454	
LoPR	98	104	114	121	103	110	120	128	107	114	125	133	113	120	131	139	118	126	137	146	122	130	142	151	

Shaded area is ACCA (TYA) conditions IDB: Entering Indoor Dry Bulb Temperature kW = Total system power Amps = outdoor unit amps (comp. +fan)
 High and low pressures are measured at the liquid and suction service valves. Design Subcooling 5 - 7 °F @ the liquid service valve, ARI 95 test conditions

EXPANDED COOLING DATA — ASZ180601A* HIGH STAGE (CONT.)

IDB	Airflow	Outdoor Ambient Temperature																							
		65°F				75°F				85°F				95°F				105°F				115°F			
		59	63	67	71	59	63	67	71	59	63	67	71	59	63	67	71	59	63	67	71	59	63	67	71
80	MBh	57.3	58.6	62.6	66.9	56.0	57.2	61.1	65.3	54.6	55.8	59.6	63.8	53.3	54.5	58.2	62.2	50.6	51.7	55.3	59.1	46.9	47.9	51.2	54.7
	S/T	0.90	0.84	0.69	0.51	0.93	0.88	0.71	0.53	0.96	0.90	0.73	0.55	1.00	0.93	0.75	0.56	1.00	0.96	0.78	0.59	1.00	0.97	0.79	0.59
	ΔT	24	23	20	16	24	23	20	16	24	23	20	16	25	24	20	16	24	23	20	16	22	22	19	15
	kW	3.65	3.74	3.86	4.00	3.96	4.05	4.19	4.33	4.22	4.32	4.47	4.63	4.46	4.56	4.72	4.89	4.66	4.77	4.93	5.11	4.83	4.94	5.12	5.30
	Amps	7.4	7.8	8.3	8.8	8.6	9.0	9.5	10.1	9.9	10.4	10.9	11.6	11.1	11.5	12.2	12.9	12.3	12.7	13.4	14.2	13.4	13.9	14.6	15.4
	Hi PR	223	240	253	264	250	269	284	296	284	306	323	337	324	349	368	384	364	392	414	432	403	433	458	477
	Lo PR	103	109	119	127	109	116	126	134	113	120	131	140	119	126	138	147	124	132	144	154	129	137	149	159
	MBh	55.6	56.9	60.7	64.9	54.3	55.5	59.3	63.4	53.0	54.2	57.9	61.9	51.8	52.9	56.5	60.4	49.2	50.2	53.7	57.4	45.5	46.5	49.7	53.2
	S/T	0.86	0.81	0.66	0.49	0.89	0.83	0.68	0.51	0.91	0.86	0.70	0.52	0.94	0.88	0.72	0.54	0.98	0.92	0.75	0.56	0.99	0.92	0.75	0.56
	ΔT	25	24	21	17	25	24	21	17	25	24	21	17	26	25	21	17	25	24	21	17	24	23	20	16
	kW	3.62	3.71	3.83	3.96	3.92	4.01	4.15	4.29	4.19	4.28	4.43	4.59	4.42	4.52	4.68	4.85	4.62	4.73	4.89	5.06	4.79	4.90	5.07	5.25
	Amps	7.3	7.7	8.1	8.7	8.5	8.8	9.4	10.0	9.8	10.2	10.8	11.4	10.9	11.4	12.0	12.7	12.1	12.6	13.2	14.0	13.2	13.7	14.4	15.2
Hi PR	221	237	251	262	248	266	281	293	282	303	320	334	321	345	364	380	361	388	410	428	399	429	453	472	
Lo PR	102	108	118	126	108	114	125	133	112	119	130	138	117	125	136	145	123	131	143	152	127	135	148	157	
MBh	51.4	52.5	56.1	59.9	50.2	51.3	54.8	58.5	49.0	50.0	53.5	57.1	47.8	48.8	52.1	55.7	45.4	46.4	49.5	53.0	42.0	43.0	45.9	49.1	
S/T	0.83	0.78	0.63	0.47	0.86	0.81	0.66	0.49	0.88	0.83	0.67	0.50	0.91	0.85	0.69	0.52	0.94	0.88	0.72	0.54	0.95	0.89	0.73	0.54	
ΔT	26	24	21	17	26	25	22	17	26	25	22	17	26	25	22	17	26	25	22	17	24	23	20	16	
kW	3.53	3.61	3.73	3.86	3.82	3.91	4.04	4.18	4.08	4.17	4.31	4.47	4.30	4.40	4.56	4.72	4.49	4.60	4.76	4.93	4.66	4.77	4.94	5.11	
Amps	6.9	7.3	7.7	8.3	8.0	8.4	8.9	9.5	9.3	9.7	10.3	10.9	10.4	10.9	11.5	12.2	11.6	12.0	12.6	13.4	12.7	13.1	13.8	14.6	
Hi PR	214	230	243	254	240	258	273	285	273	294	310	324	311	335	354	369	350	377	398	415	387	416	439	458	
Lo PR	99	105	115	122	104	111	121	129	108	115	126	134	114	121	132	141	119	127	139	148	123	131	143	153	

85	MBh	58.3	59.4	62.2	66.4	56.9	58.1	60.8	64.9	55.6	56.7	59.4	63.3	54.2	55.3	57.9	61.8	51.5	52.5	55.0	58.7	47.7	48.7	51.0	54.4
	S/T	0.94	0.91	0.82	0.67	0.98	0.94	0.85	0.69	1.00	0.97	0.87	0.71	1.00	1.00	0.90	0.73	1.00	1.00	0.94	0.76	1.00	1.00	0.94	0.77
	ΔT	26	25	24	21	26	26	24	21	26	26	24	21	25	26	24	21	24	25	24	21	22	23	22	19
	kW	3.69	3.77	3.90	4.03	3.99	4.08	4.22	4.37	4.26	4.36	4.51	4.67	4.50	4.60	4.76	4.93	4.70	4.81	4.98	5.16	4.87	4.99	5.16	5.35
	Amps	7.6	7.9	8.4	9.0	8.7	9.1	9.7	10.3	10.1	10.5	11.1	11.8	11.3	11.7	12.3	13.1	12.4	12.9	13.6	14.4	13.6	14.1	14.8	15.6
	Hi PR	225	242	256	267	253	272	287	299	287	309	326	340	327	352	372	388	368	396	418	436	407	438	462	482
	Lo PR	104	111	121	128	110	117	127	136	114	121	132	141	120	127	139	148	126	134	146	155	130	138	151	161
	MBh	56.6	57.7	60.4	64.5	55.3	56.4	59.0	63.0	54.0	55.0	57.6	61.5	52.7	53.7	56.2	60.0	50.0	51.0	53.4	57.0	46.3	47.2	49.5	52.8
	S/T	0.90	0.87	0.78	0.64	0.93	0.90	0.81	0.66	0.96	0.92	0.83	0.68	0.99	0.95	0.86	0.70	1.00	0.99	0.89	0.72	1.00	1.00	0.90	0.73
	ΔT	27	26	25	22	27	27	25	22	27	27	25	22	27	27	25	22	26	27	25	22	24	25	23	20
	kW	3.65	3.74	3.86	4.00	3.96	4.05	4.19	4.33	4.22	4.32	4.47	4.63	4.46	4.56	4.72	4.89	4.66	4.77	4.93	5.11	4.83	4.94	5.12	5.30
	Amps	7.4	7.8	8.3	8.8	8.6	9.0	9.5	10.1	9.9	10.4	10.9	11.6	11.1	11.5	12.2	12.9	12.3	12.7	13.4	14.2	13.4	13.9	14.6	15.4
Hi PR	223	240	253	264	250	269	284	296	284	306	323	337	324	349	368	384	364	392	414	432	403	433	458	477	
Lo PR	103	109	119	127	109	116	126	134	113	120	131	140	119	126	138	147	124	132	144	154	129	137	149	159	
MBh	52.2	53.3	55.8	59.5	51.0	52.0	54.5	58.1	49.8	50.8	53.2	56.7	48.6	49.5	51.9	55.4	46.2	47.1	49.3	52.6	42.8	43.6	45.7	48.7	
S/T	0.87	0.84	0.76	0.61	0.90	0.87	0.78	0.64	0.92	0.89	0.80	0.65	0.95	0.92	0.83	0.67	0.99	0.95	0.86	0.70	1.00	0.96	0.87	0.70	
ΔT	27	27	25	22	28	27	26	22	28	27	26	22	28	27	26	22	27	27	25	22	26	25	24	21	
kW	3.56	3.64	3.76	3.89	3.85	3.94	4.08	4.22	4.11	4.21	4.35	4.50	4.34	4.44	4.60	4.76	4.53	4.64	4.80	4.97	4.70	4.81	4.98	5.16	
Amps	7.1	7.4	7.9	8.4	8.2	8.5	9.1	9.6	9.5	9.9	10.4	11.1	10.6	11.0	11.6	12.3	11.7	12.2	12.8	13.6	12.8	13.3	14.0	14.8	
Hi PR	216	233	246	256	243	261	276	287	276	297	313	327	314	338	357	372	353	380	402	419	391	420	444	463	
Lo PR	100	106	116	123	105	112	122	130	110	117	127	135	115	122	134	142	121	128	140	149	125	133	145	154	

Shaded area is ARI Rating conditions
 High and low pressures are measured at the liquid and suction service valves.
 IDB: Entering Indoor Dry Bulb Temperature
 kW = Total system power
 Amps = outdoor unit amps (comp. +fan)
 Design Subcooling 5 - 7 °F @ the liquid service valve, ARI 95 test conditions

PRODUCT SPECIFICATIONS

EXPANDED HEATING DATA — Low Stage

ASZ180361A* / CA*F3642C6A*+TXV/ MBE1600**-1

	Outdoor Ambient Temperature																	
	65	60	55	50	47	45	40	35	30	25	20	17	15	10	5	0	-5	-10
MBh	30.8	29.2	27.4	25.6	24.5	23.7	22.0	20.3	18.0	16.6	15.3	14.5	13.9	12.5	11.1	9.7	8.3	6.8
ΔT	33.5	31.8	29.9	27.9	26.7	25.9	24.0	22.1	19.6	18.1	16.7	15.8	15.2	13.6	12.1	10.5	9.0	7.4
kW	1.98	1.94	1.90	1.86	1.8	1.81	1.77	1.73	1.78	1.74	1.69	1.67	1.65	1.60	1.56	1.51	1.47	1.42
Amps	9.5	8.8	8.2	7.7	7.5	7.3	6.9	6.5	6.2	6.0	5.7	5.5	5.5	5.2	4.8	4.5	4.2	3.7
COP	4.54	4.39	4.23	4.04	3.91	3.83	3.64	3.44	2.96	2.81	2.65	2.54	2.48	2.28	2.08	1.87	1.64	1.39
EER	15.5	15.0	14.4	13.8	13.4	13.1	12.4	11.7	10.1	9.6	9.1	8.7	8.5	7.8	7.1	6.4	5.6	4.7
HI PR	393	377	362	346	338	332	319	306	293	280	269	262	258	248	238	229	221	213
LO PR	145	134	126	116	109	105	97	86	78	69	61	57	55	46	40	34	29	23

ASZ180481A* / CA*F4860*6A*+TXV/ MBE2000**-1

	Outdoor Ambient Temperature																	
	65	60	55	50	47	45	40	35	30	25	20	17	15	10	5	0	-5	-10
MBh	43.8	41.4	39.0	36.5	34.8	33.7	31.3	28.9	27.0	25.0	23.0	21.7	20.9	18.7	16.6	14.5	12.4	10.1
ΔT	33.8	32.0	30.1	28.1	26.9	26.0	24.2	22.3	20.9	19.3	17.7	16.7	16.1	14.5	12.8	11.2	9.5	7.8
kW	2.67	2.62	2.56	2.50	2.5	2.44	2.39	2.33	2.44	2.38	2.32	2.28	2.26	2.19	2.13	2.07	2.01	1.95
Amps	12.7	11.7	10.9	10.2	9.8	9.6	9.0	8.5	8.1	7.7	7.2	7.0	6.9	6.5	6.0	5.6	5.1	4.5
COP	4.79	4.63	4.46	4.27	4.13	4.04	3.84	3.63	3.24	3.07	2.90	2.78	2.71	2.50	2.28	2.05	1.80	1.52
EER	16.4	15.8	15.2	14.6	14.1	13.8	13.1	12.4	11.1	10.5	9.9	9.5	9.3	8.5	7.8	7.0	6.2	5.2
HI PR	391	375	360	344	336	330	317	304	292	278	267	261	256	247	237	227	219	212
LO PR	145	134	126	115	109	105	97	86	78	69	61	57	55	46	40	34	29	23

ASZ180601A* / CA*F4860*6A*+TXV/ MBE2000**-1

	Outdoor Ambient Temperature																	
	65	60	55	50	47	45	40	35	30	25	20	17	15	10	5	0	-5	-10
MBh	52.0	49.2	46.3	43.3	41.4	40.1	37.2	34.3	32.6	30.1	27.7	26.1	25.2	22.6	20.0	17.5	14.9	12.2
ΔT	40.1	38.0	35.7	33.4	31.9	30.9	28.7	26.5	25.1	23.2	21.4	20.2	19.4	17.4	15.5	13.5	11.5	9.4
kW	3.66	3.58	3.50	3.42	3.4	3.34	3.26	3.18	3.23	3.15	3.06	3.01	2.98	2.90	2.81	2.73	2.65	2.57
Amps	17.5	16.2	15.1	14.2	13.6	13.4	12.6	11.9	11.3	10.8	10.3	10.0	9.8	9.3	8.6	8.1	7.4	6.6
COP	4.16	4.02	3.87	3.71	3.59	3.51	3.34	3.16	2.95	2.80	2.64	2.54	2.47	2.28	2.08	1.87	1.65	1.39
EER	14.2	13.7	13.2	12.7	12.3	12.0	11.4	10.8	10.1	9.6	9.0	8.7	8.4	7.8	7.1	6.4	5.6	4.8
HI PR	421	403	388	371	362	355	341	328	314	300	288	281	276	265	255	245	236	228
LO PR	138	128	120	110	104	100	92	82	74	66	58	54	52	44	38	32	28	22

High pressure is measured at the suction service valve (the larger valve).

Low pressure is measured at the gauge port connection.

Calculations are based on nominal CFM and 70 °F indoor dry bulb.

Amps = Outdoor unit amps (comp.+fan)

kW = Total system power

EXPANDED HEATING DATA — HIGH STAGE

ASZ180361A* / CA*F3642C6A*+TXV/ MBE1600**-1

	Outdoor Ambient Temperature																	
	65	60	55	50	47	45	40	35	30	25	20	17	15	10	5	0	-5	-10
MBh	44.5	42.2	39.7	37.1	35.4	34.3	31.9	29.4	27.5	25.4	23.4	22.0	21.2	19.1	16.9	14.7	12.6	10.3
ΔT	33.0	31.2	29.4	27.5	26.2	25.4	23.6	21.8	20.4	18.8	17.3	16.3	15.7	14.1	12.5	10.9	9.3	7.6
kW	2.81	2.75	2.69	2.63	2.6	2.57	2.52	2.46	2.43	2.37	2.32	2.28	2.26	2.20	2.14	2.08	2.02	1.97
Amps	12.8	11.8	11.1	10.4	10.0	9.8	9.2	8.7	8.3	8.0	7.6	7.4	7.3	6.9	6.4	6.0	5.5	4.9
COP	4.64	4.49	4.32	4.12	3.99	3.90	3.71	3.50	3.30	3.13	2.95	2.83	2.75	2.54	2.31	2.07	1.82	1.53
EER	15.9	15.3	14.8	14.1	13.6	13.3	12.7	12.0	11.3	10.7	10.1	9.7	9.4	8.7	7.9	7.1	6.2	5.2
HI PR	400	383	369	352	344	338	324	311	298	285	274	267	262	252	243	233	224	216
LO PR	143	132	124	114	108	104	95	85	77	68	60	56	54	46	39	33	29	23

ASZ180481A* / CA*F4860*6A*+TXV/ MBE2000**-1

	Outdoor Ambient Temperature																	
	65	60	55	50	47	45	40	35	30	25	20	17	15	10	5	0	-5	-10
MBh	62.2	58.9	55.4	51.8	49.5	48.0	44.6	41.1	38.9	35.9	33.0	31.2	30.0	27.0	23.9	20.8	17.8	14.6
ΔT	32.9	31.2	29.3	27.4	26.2	25.4	23.6	21.7	20.6	19.0	17.5	16.5	15.9	14.3	12.6	11.0	9.4	7.7
kW	3.80	3.72	3.64	3.56	3.5	3.49	3.41	3.33	3.28	3.20	3.12	3.07	3.04	2.96	2.89	2.81	2.73	2.66
Amps	17.0	15.7	14.7	13.8	13.2	13.0	12.2	11.5	11.0	10.5	10.0	9.7	9.6	9.1	8.4	7.9	7.2	6.4
COP	4.80	4.64	4.46	4.26	4.12	4.03	3.82	3.61	3.47	3.29	3.10	2.97	2.89	2.66	2.42	2.17	1.90	1.61
EER	16.4	15.8	15.2	14.5	14.1	13.8	13.1	12.3	11.9	11.2	10.6	10.2	9.9	9.1	8.3	7.4	6.5	5.5
HI PR	398	382	367	351	343	336	323	310	297	284	272	266	261	251	241	232	223	215
LO PR	137	127	119	109	103	99	91	81	73	65	57	53	51	44	38	32	28	22

ASZ180601A* / CA*F4860*6A*+TXV/ MBE2000**-1

	Outdoor Ambient Temperature																	
	65	60	55	50	47	45	40	35	30	25	20	17	15	10	5	0	-5	-10
MBh	71.6	67.8	63.8	59.7	57.0	55.2	51.3	47.3	46.7	43.1	39.7	37.5	36.1	32.4	28.7	25.0	21.4	17.5
ΔT	37.9	35.9	33.8	31.6	30.2	29.2	27.1	25.0	24.7	22.8	21.0	19.8	19.1	17.1	15.2	13.2	11.3	9.3
kW	4.94	4.84	4.73	4.63	4.6	4.52	4.42	4.32	4.28	4.17	4.07	4.00	3.96	3.85	3.75	3.65	3.54	3.44
Amps	24.5	22.1	20.2	18.6	17.6	17.1	15.7	14.5	13.6	12.6	11.7	11.2	10.9	10.0	8.8	7.9	6.7	5.3
COP	4.24	4.10	3.95	3.77	3.65	3.57	3.40	3.21	3.19	3.02	2.86	2.74	2.66	2.46	2.24	2.01	1.77	1.49
EER	14.5	14.0	13.5	12.9	12.5	12.2	11.6	11.0	10.9	10.3	9.8	9.4	9.1	8.4	7.7	6.9	6.0	5.1
HI PR	421	403	388	371	362	355	342	328	314	300	288	281	276	265	255	245	236	228
LO PR	127	118	111	102	96	92	85	76	68	61	54	50	48	41	35	30	26	20

High pressure is measured at the suction service valve (the larger valve).
 Low pressure is measured at the gauge port connection.
 Calculations are based on nominal CFM and 70 °F indoor dry bulb.

Amps = Outdoor unit amps (comp.+fan)
 kW = Total system power

ARI PERFORMANCE RATINGS

Outdoor Unit	Indoor Units		Furnace/Blower	Cooling Capacity (BTU/h)			TVA Ratings ³			Heating Capacity (BTU/h)			ARI #
	Indoor Coil			Total	Sens.	SEER ¹	EER ²	Total	Sens.	High	HSPF ⁴	Low	
ASZ18 0361A*	AEPF303616A*+TXV			35,000	26,600	18.00	13.00	32,400	26,200	35,000	9.25	20,400	1492396
	AEPF303616B*+TXV			35,000	26,600	18.00	13.00	32,400	26,200	35,000	9.25	20,400	1291846
	AEPF303616C*+TXV			35,000	26,600	18.00	13.00	32,400	26,200	35,000	9.25	20,400	1444025
	AEPF426016B*+TXV			35,000	26,600	18.00	13.00	32,400	26,200	35,000	9.25	20,400	1291847
	AEPF426016C*+TXV			35,000	26,600	18.00	13.00	32,400	26,200	35,000	9.25	20,400	1492755
	CA*F3642*6A*+MBE1600**-1+TXV			35,000	26,600	18.00	13.00	32,400	26,200	35,000	9.50	20,400	1291849
	CA*F3642*6A*+MBE2000**-1+TXV			35,000	26,600	18.00	13.00	32,400	26,200	35,000	9.25	20,400	1291840
	CA*F3642*6A*+TXV		A*V90704C*	34,600	26,300	17.50	12.50	32,000	25,900	35,000	9.25	20,000	1291820
	CA*F3642*6A*+TXV		A*V90905D**	35,000	26,600	18.00	13.00	32,400	26,200	35,000	9.25	20,400	1291845
	CA*F3642*6A*+TXV		A*V91155D**	35,000	26,600	18.00	13.00	32,400	26,200	35,000	9.25	20,400	1291843
	CA*F3743*6A*+MBE1600**-1+TXV			35,000	26,600	18.00	13.00	32,400	26,200	35,000	9.50	20,400	1347438
	CA*F3743*6A*+MBE2000**-1+TXV			35,000	26,600	18.00	13.00	32,400	26,200	35,000	9.25	20,400	1347439
	CA*F3743*6A*+TXV		A*V90704C*	34,600	26,300	17.50	12.50	32,000	25,900	35,000	9.25	20,000	1347440
	CA*F3743*6A*+TXV		A*V90905D**	35,000	26,600	18.00	13.00	32,400	26,200	35,000	9.25	20,400	1347441
	CA*F3743*6A*+TXV		A*V91155D**	35,000	26,600	18.00	13.00	32,400	26,200	35,000	9.25	20,400	1347442
	CA*F3743*6A*+TXV		G*V950704C**	34,600	26,300	17.50	12.50	32,000	25,900	35,000	9.25	20,000	1404341
	CA*F3743*6A*+TXV		G*V950905D**	35,000	26,600	18.00	13.00	32,400	26,200	35,000	9.25	20,400	1404342
	CA*F3743*6A*+TXV		G*V951155D**	35,000	26,600	18.00	13.00	32,400	26,200	35,000	9.25	20,400	1404346
	CA*F4860*6A*+MBE2000**-1+TXV			35,000	26,600	18.00	13.00	32,400	26,200	35,000	9.25	20,400	1291841
	CA*F4961*6A*+MBE2000**-1+TXV			35,000	26,600	18.00	13.00	32,400	26,200	35,000	9.25	20,400	1347443
CHPF3642*6A*+MBE1600**-1+TXV			35,000	26,600	18.00	13.00	32,400	26,200	35,000	9.50	20,400	1291852	
CHPF3642C6A*+TXV		A*V90704C*	34,600	26,300	17.50	12.50	32,000	25,900	35,000	9.25	20,000	1291821	
CHPF3642D6A*+TXV		A*V90905D**	35,000	26,600	18.00	13.00	32,400	26,200	35,000	9.25	20,400	1291844	
CHPF3743C6A*+MBE1600**-1A*+TXV			35,000	26,600	18.00	13.00	32,400	26,200	35,000	9.50	20,400	1350657	
CHPF3743C6A*+TXV		A*V90704C*	34,600	26,300	17.50	12.50	32,000	25,900	35,000	9.25	20,000	1350654	
CHPF3743D6A*+TXV		A*V90905D**	35,000	26,600	18.00	13.00	32,400	26,200	35,000	9.25	20,400	1350655	
CSCF3642N6A*+MBE1600**-1+TXV			35,000	26,600	18.00	13.00	32,400	26,200	35,000	9.50	20,400	1291854	
CSCF3642N6A*+TXV		A*V90704C*	34,600	26,300	17.50	12.50	32,000	25,900	35,000	9.25	20,000	1291822	
CSCF3642N6A*+TXV		A*V90905D**	35,000	26,600	18.00	13.00	32,400	26,200	35,000	9.25	20,400	1291842	
CSCF3642N6A*+TXV		A*V91155D**	35,000	26,600	18.00	13.00	32,400	26,200	35,000	9.25	20,400	1291853	
CSCF3642N6C*+MBE1600**-1+TXV			35,000	26,600	18.00	13.00	32,400	26,200	35,000	9.50	20,400	1297017	
CSCF3642N6C*+TXV		A*V90704C*	34,600	26,300	17.50	12.50	32,000	25,900	35,000	9.25	20,000	1297013	
CSCF3642N6C*+TXV		A*V90905D**	35,000	26,600	18.00	13.00	32,400	26,200	35,000	9.25	20,400	1297014	
CSCF3642N6C*+TXV		A*V91155D**	35,000	26,600	18.00	13.00	32,400	26,200	35,000	9.25	20,400	1297016	

ARI PERFORMANCE RATINGS (CONT.)

Outdoor Unit	Indoor Units		Furnace/Blower	Cooling Capacity (BTU/h)			TVA Ratings ³			Heating Capacity (BTU/h)			ARI #
	Indoor Coil			Total	Sens.	SEER ¹	EER ²	Total	Sens.	High	HSPF ⁴	Low	
ASZ18 0481A*	AEPF426016B*+TXV			47,000	35,300	17.50	12.50	43,500	34,800	47,000	9.25	29,000	1329142
	AEPF426016C*+TXV			47,000	35,300	17.50	12.50	43,500	34,800	47,000	9.25	29,000	1492756
	CA*F4860*6A*+MBE2000**-1+TXV			47,500	35,600	18.00	13.00	43,900	35,100	47,500	9.50	29,600	1291805
	CA*F4860*6A*+TXV		A*V90905D**	47,000	35,300	17.50	12.50	43,500	34,800	47,000	9.25	29,000	1291823
	CA*F4860*6A*+TXV		A*V91155D**	47,000	35,300	17.75	12.50	43,500	34,800	47,000	9.25	29,000	1291824
	CA*F4961*6A*+MBE2000**-1+TXV			47,500	35,600	18.00	13.00	43,900	35,100	47,500	9.50	29,600	1347444
	CA*F4961*6A*+TXV		A*V81155C**	47,000	35,300	17.50	12.50	43,500	34,800	47,000	9.25	29,000	1492400
	CA*F4961*6A*+TXV		A*V90905D**	47,000	35,300	17.50	12.50	43,500	34,800	47,000	9.25	29,000	1347445
	CA*F4961*6A*+TXV		A*V91155D**	47,000	35,300	17.75	12.50	43,500	34,800	47,000	9.25	29,000	1347446
	CA*F4961*6A*+TXV		G*V950905D**	47,000	35,300	17.50	12.50	43,500	34,800	47,000	9.25	29,000	1404347
	CA*F4961*6A*+TXV		G*V951155D**	47,000	35,300	17.75	12.50	43,500	34,800	47,000	9.25	29,000	1404348
	CHPF4860D6A*+MBE2000**-1+TXV			47,500	35,600	18.00	13.00	43,900	35,100	47,500	9.50	29,600	1291806
	CHPF4860D6A*+TXV		A*V90905D**	47,000	35,300	17.50	12.50	43,500	34,800	47,000	9.25	29,000	1291808
	CHPF4860D6A*+TXV		A*V91155D**	47,000	35,300	17.75	12.50	43,500	34,800	47,000	9.25	29,000	1291810
	CHPF4860D6C*+MBE2000**-1A*+TXV			47,500	35,600	18.00	13.00	43,900	35,100	47,500	9.50	29,600	1350653
	CHPF4860D6C*+TXV		A*V90905D**	47,000	35,300	17.50	12.50	43,500	34,800	47,000	9.25	29,000	1350649
	CHPF4860D6C*+TXV		A*V91155D**	47,000	35,300	17.75	12.50	43,500	34,800	47,000	9.25	29,000	1350650
	CSCF4860N6A*+MBE2000**-1+TXV			47,500	35,600	18.00	13.00	43,900	35,100	47,500	9.50	29,600	1291807
	CSCF4860N6A*+TXV		A*V90905D**	47,000	35,300	17.50	12.50	43,500	34,800	47,000	9.25	29,000	1291809
	CSCF4860N6A*+TXV		A*V91155D**	47,000	35,300	17.75	12.50	43,500	34,800	47,000	9.25	29,000	1291811
CSCF4860N6C*+MBE2000**-1+TXV			47,500	35,600	18.00	13.00	43,900	35,100	47,500	9.50	29,600	1297008	
CSCF4860N6C*+TXV		A*V90905D**	47,000	35,300	17.50	12.50	43,500	34,800	47,000	9.25	29,000	1297009	
CSCF4860N6C*+TXV		A*V91155D**	47,000	35,300	17.75	12.50	43,500	34,800	47,000	9.25	29,000	1297010	

ARI PERFORMANCE RATINGS (CONT.)

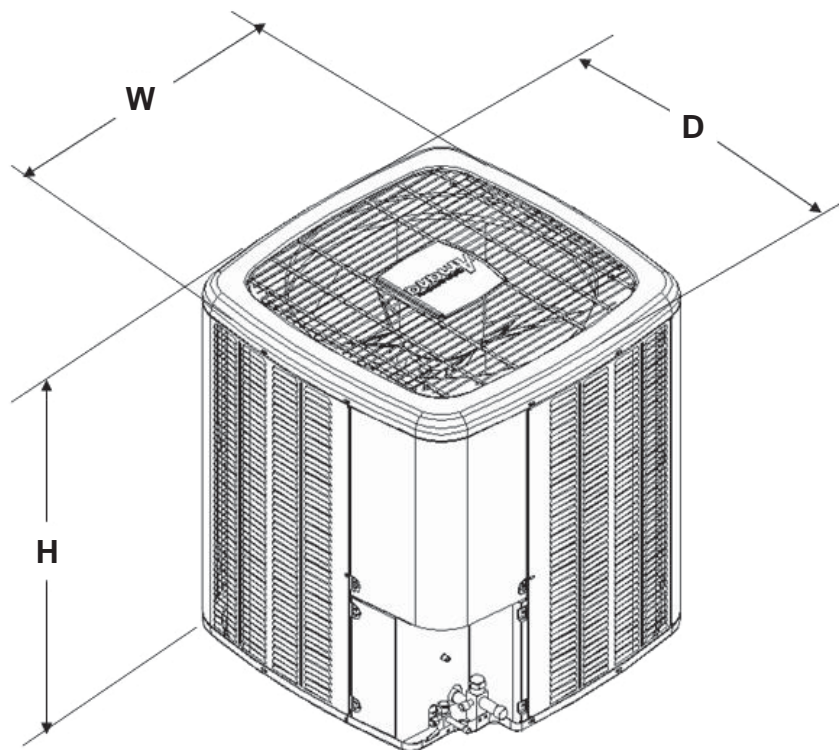
Outdoor Unit	Indoor Units		Furnace/Blower	Cooling Capacity (BTU/h)			TVA Ratings ³			Heating Capacity (BTU/h)			ARI #
	Indoor Coil			Total	Sens.	SEER ¹	EER ²	Total	Sens.	High	HSPF ⁴	Low	
ASZ18 0601A*	AEPF426016B**+TXV			56,000	40,300	16.00	12.50	51,800	39,900	56,000	9.00	35,000	1329143
	AEPF426016C**+TXV			56,000	40,300	16.00	12.50	51,800	39,900	56,000	9.00	35,000	1492757
	CA*F4860*6A**+MBE2000**-1+TXV			57,000	41,000	17.00	12.50	52,700	40,600	57,000	9.50	36,400	1291850
	CA*F4860*6A**+TXV		A*V90905D**	57,000	41,000	16.00	12.00	52,700	40,600	57,000	9.25	35,000	1291813
	CA*F4860*6A**+TXV		A*V91155D**	57,000	41,000	16.00	12.00	52,700	40,600	57,000	9.25	35,000	1291815
	CA*F4961*6A**+MBE2000**-1+TXV			57,000	41,000	17.00	12.50	52,700	40,600	57,000	9.50	36,400	1347447
	CA*F4961*6A**+TXV		A*V90905D**	57,000	41,000	16.00	12.00	52,700	40,600	57,000	9.25	35,000	1347448
	CA*F4961*6A**+TXV		A*V91155D**	57,000	41,000	16.00	12.00	52,700	40,600	57,000	9.25	35,000	1347449
	CA*F4961*6A**+TXV		G*V950905D**	57,000	41,000	16.00	12.00	52,700	40,600	57,000	9.25	35,000	1404349
	CA*F4961*6A**+TXV		G*V951155D**	57,000	41,000	16.00	12.00	52,700	40,600	57,000	9.25	35,000	1404362
	CHPF4860D6A**+MBE2000**-1+TXV			57,000	41,000	17.00	12.50	52,700	40,600	57,000	9.50	36,400	1291851
	CHPF4860D6A**+TXV		A*V90905D**	57,000	41,000	16.00	12.00	52,700	40,600	57,000	9.25	35,000	1291812
	CHPF4860D6A**+TXV		A*V91155D**	57,000	41,000	16.00	12.00	52,700	40,600	57,000	9.25	35,000	1291816
	CHPF4860D6C**+MBE2000**-1A**+TXV			57,000	41,000	17.00	12.50	52,700	40,600	57,000	9.50	36,400	1350656
	CHPF4860D6C**+TXV		A*V90905D**	57,000	41,000	16.00	12.00	52,700	40,600	57,000	9.25	35,000	1350651
	CHPF4860D6C**+TXV		A*V91155D**	57,000	41,000	16.00	12.00	52,700	40,600	57,000	9.25	35,000	1350652
CSCF4860N6A**+MBE2000**-1+TXV			57,000	41,000	17.00	12.50	52,700	40,600	57,000	9.50	36,400	1291848	
CSCF4860N6A**+TXV		A*V90905D**	57,000	41,000	16.00	12.00	52,700	40,600	57,000	9.25	35,000	1291814	
CSCF4860N6A**+TXV		A*V91155D**	57,000	41,000	16.00	12.00	52,700	40,600	57,000	9.25	35,000	1291817	
CSCF4860N6C**+MBE2000**-1+TXV			57,000	41,000	17.00	12.50	52,700	40,600	57,000	9.50	36,400	1297015	
CSCF4860N6C**+TXV		A*V90905D**	57,000	41,000	16.00	12.00	52,700	40,600	57,000	9.25	35,000	1297011	
CSCF4860N6C**+TXV		A*V91155D**	57,000	41,000	16.00	12.00	52,700	40,600	57,000	9.25	35,000	1297012	

¹ Seasonal Energy Efficiency Ratio; Certified per ARI 210/240 @ 80°F/67°F/95°F
² Energy Efficiency Ratio @ 80°F/67°F/95°F
³ TVA Rating: BTU/h @ 75°F/63°F - 95°F
⁴ HSPF = Heating Seasonal Performance Factor

Notes:

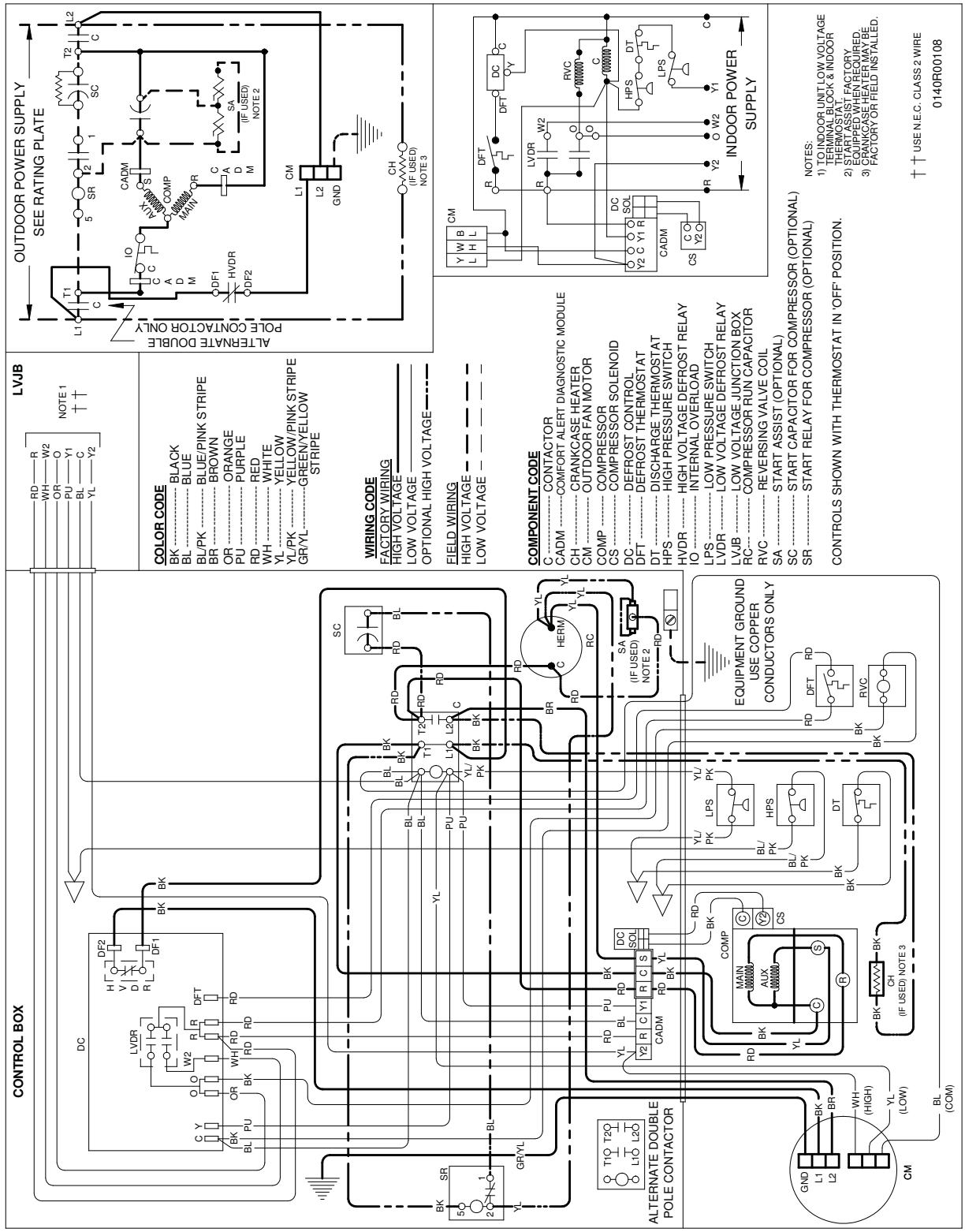
- Always check the S&R plate for electrical data on the unit being installed.
- When matching the outdoor unit to the indoor unit, use the piston supplied with the outdoor unit or that specified on the piston kit chart supplied with the indoor unit.
- EEP - Order from Service Dept. Part No. B13707-38 or new Solid State Board B13707-35S. Part No. B13707-38 is not interchangeable with B13707-35S. The Goodman Gas Furnace contains the EEP cooling time delay

DIMENSIONS



Model	W"	D"	H"
ASZ180361A	35½	35½	38¼
ASZ180481A	35½	35½	38¼
ASZ180601A	35½	35½	38¼

ASZ18 WIRING DIAGRAM



Wiring is subject to change. Always refer to the wiring diagram or the unit for the most up-to-date wiring.

WARNING

High Voltage:
 Disconnect all power before servicing or installing this unit. Multiple power sources may be present. Failure to do so may cause property damage, personal injury, or death.

ACCESSORIES

Model	Description	ASZ18 036	ASZ18 048	ASZ18 060
ABK-20	Anchor Bracket Kit ▼	X	X	X
ASC01	Anti-Short Cycle Kit	X	X	X
CSR-U-1	Hard-start Kit	X		
CSR-U-2	Hard-start Kit	X	X	X
CSR-U-3	Hard-start Kit		X	X
FSK01A ¹	Freeze Protection Kit	X	X	X
OT18-60A ²	Outdoor Thermostat w/ Lockout Stat	X	X	X
TX3N4 ³	TXV Kit	X		
TX5N4 ³	TXV Kit		X	X

▼ Contains 20 brackets; four brackets needed to anchor unit to pad

¹ Installed on indoor coil

² Required for heat pump applications where ambient temperatures fall below 0° F with 50% or higher relative humidity.

³ Field-installed, non-bleed, expansion valve kit — Condensing units and heat pumps with reciprocating compressors require the use of start-assist components when used in conjunction with an indoor coil using a non-bleed thermal expansion valve refrigerant metering device.

NOTES

